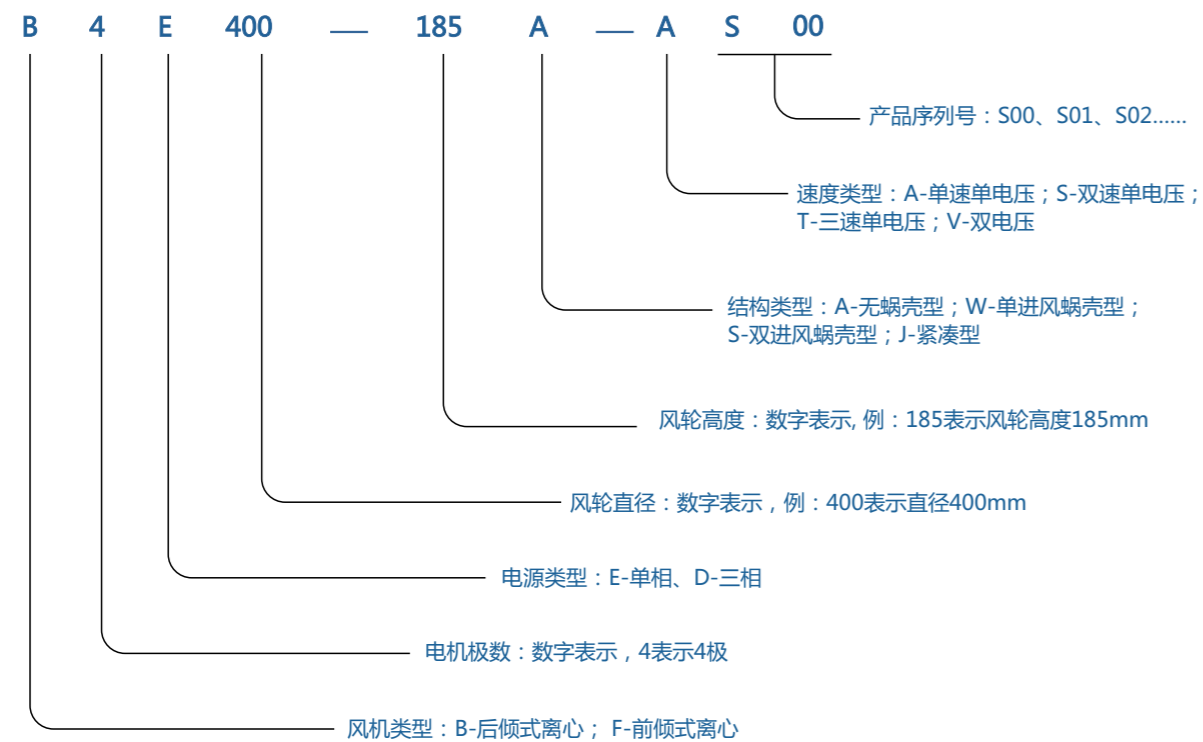
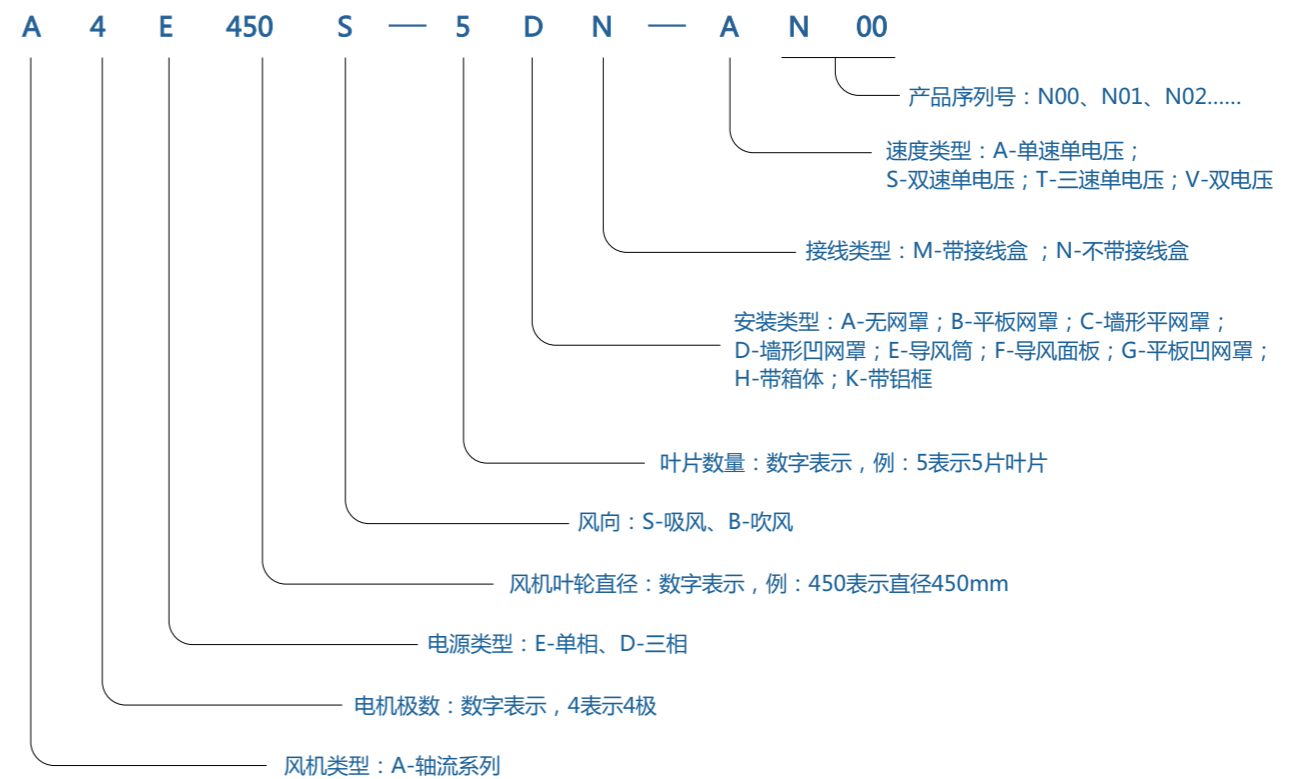


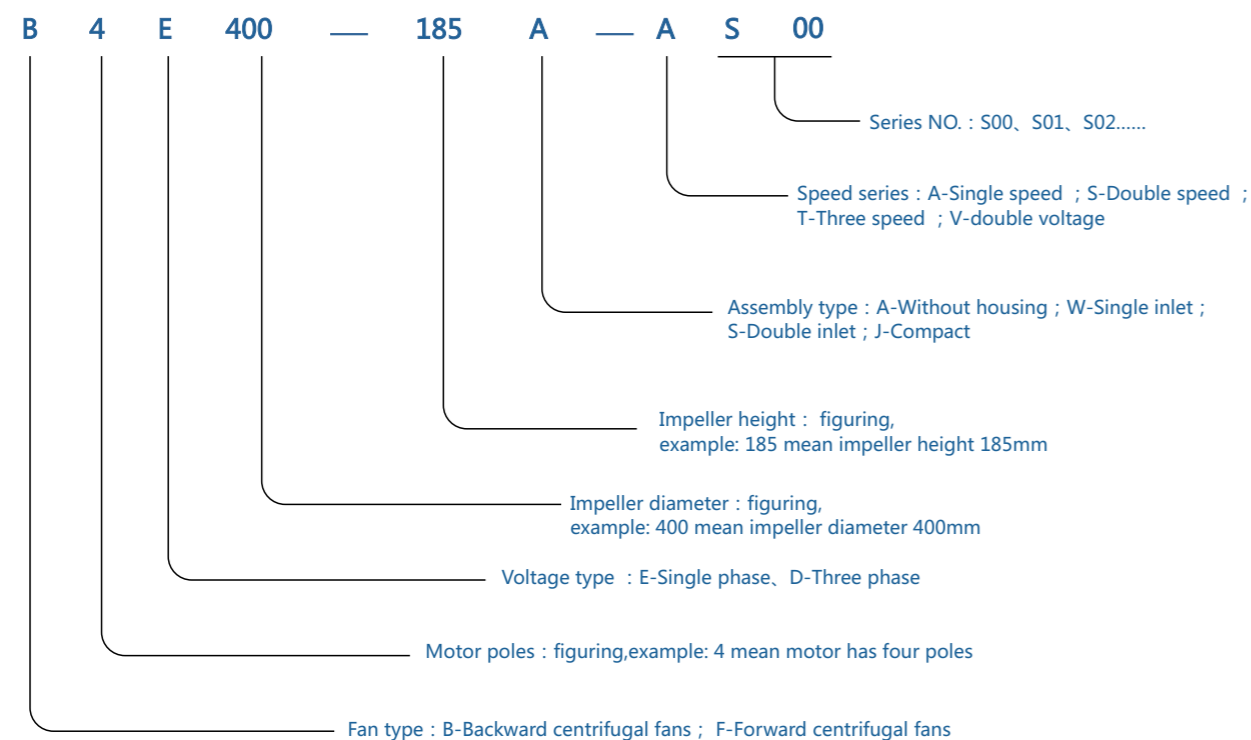
## > AC离心风机命名规则



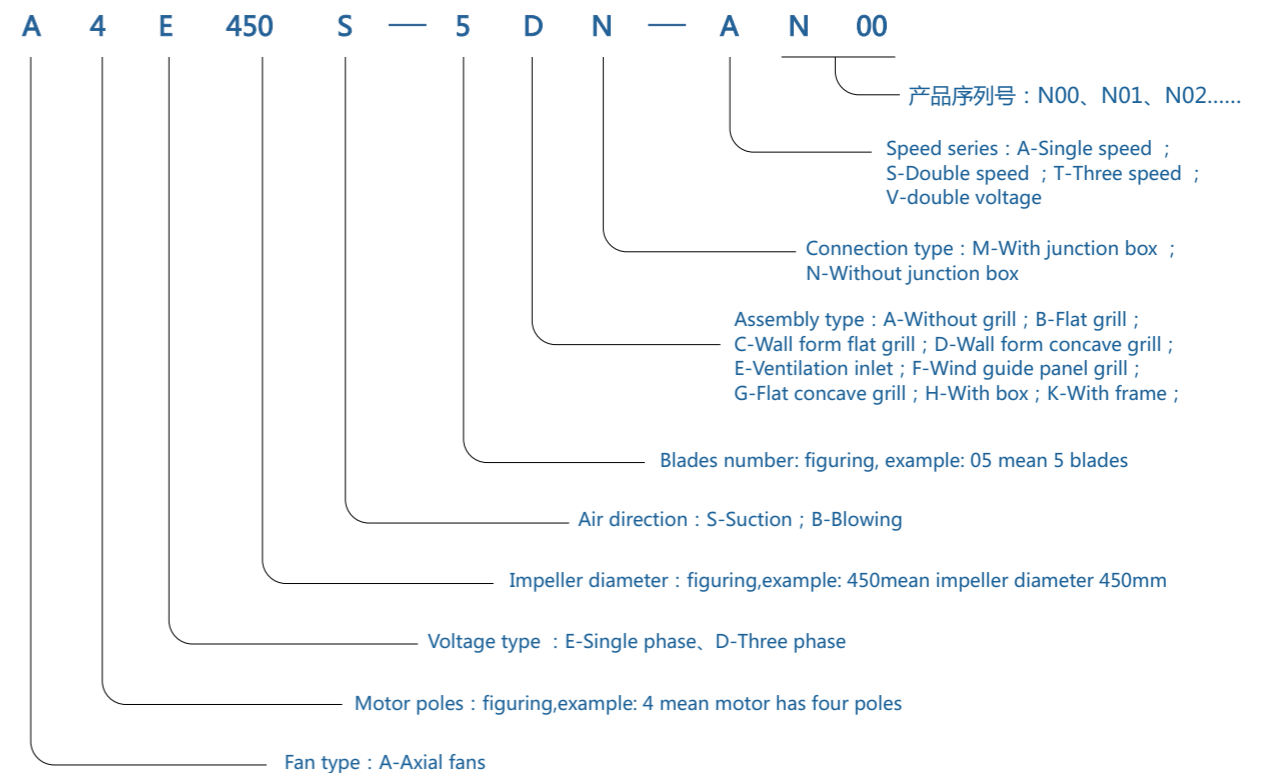
## > AC轴流风机命名规则



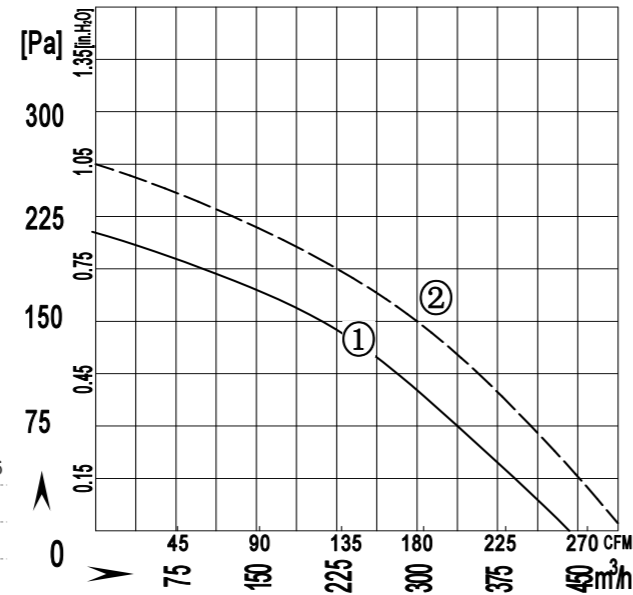
## > AC Centrifugal Fans Type Code



## > AC Axial Fans Type Code

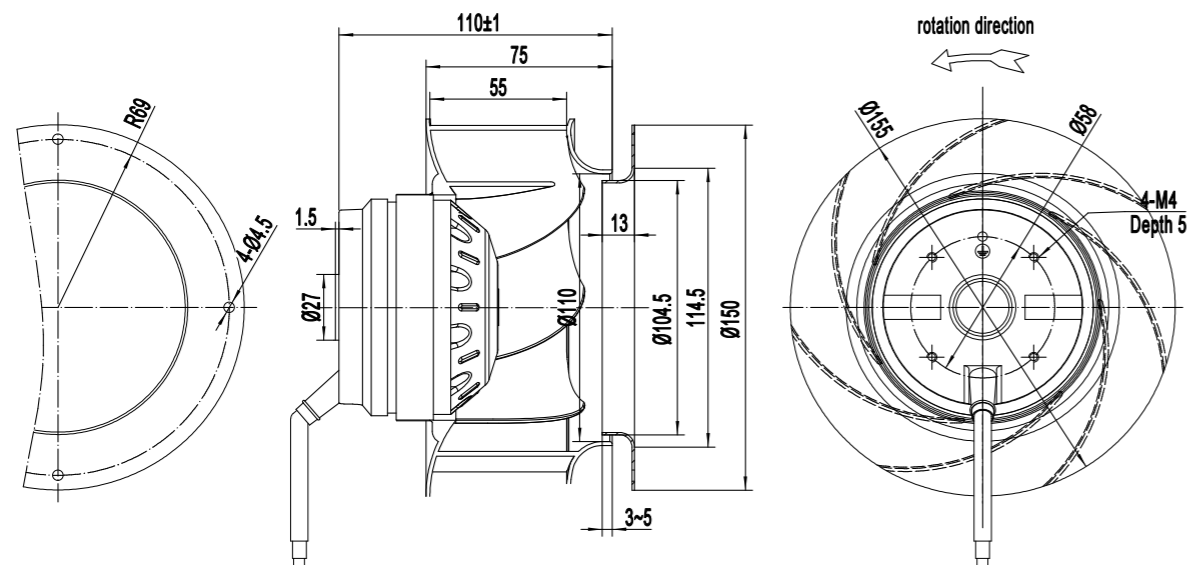


### B155-075 后倾离心风机 B155-075 Backward Centrifugal Fan

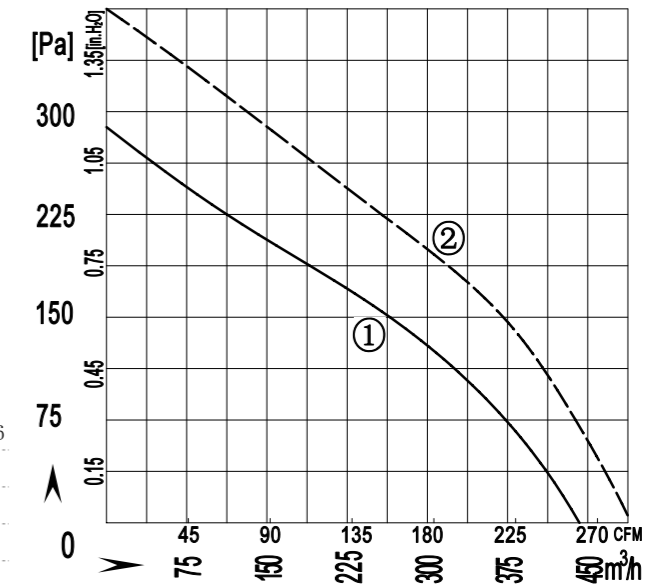


风轮材质: 塑料PA66 Impeller material: Plastic PA66  
 防护等级: IP44 Protection Class: IP44  
 认证: CCC CE Approvals: CCC CE  
 绝缘等级: F级 Insulation class: F

Type	Voltage	Frequency	Current	Input Power	Speed	Capacitor	Air Flow	Noise	Temperature	Curve No.	Approvals
Type	V	Hz	A	W	rpm	μF	m³/h / CFM	dB(A)	Min / Max(°C)	#	Approvals
B2E155-075A-AA10	220/230	50	0.24	32	2650	1.0	440 / 258	61	-30 / +60	①	CCC,CE,RoHS
	220/230	60	0.32	38	3000	1.0	480 / 280	64	-30 / +60	②	CCC,CE,RoHS

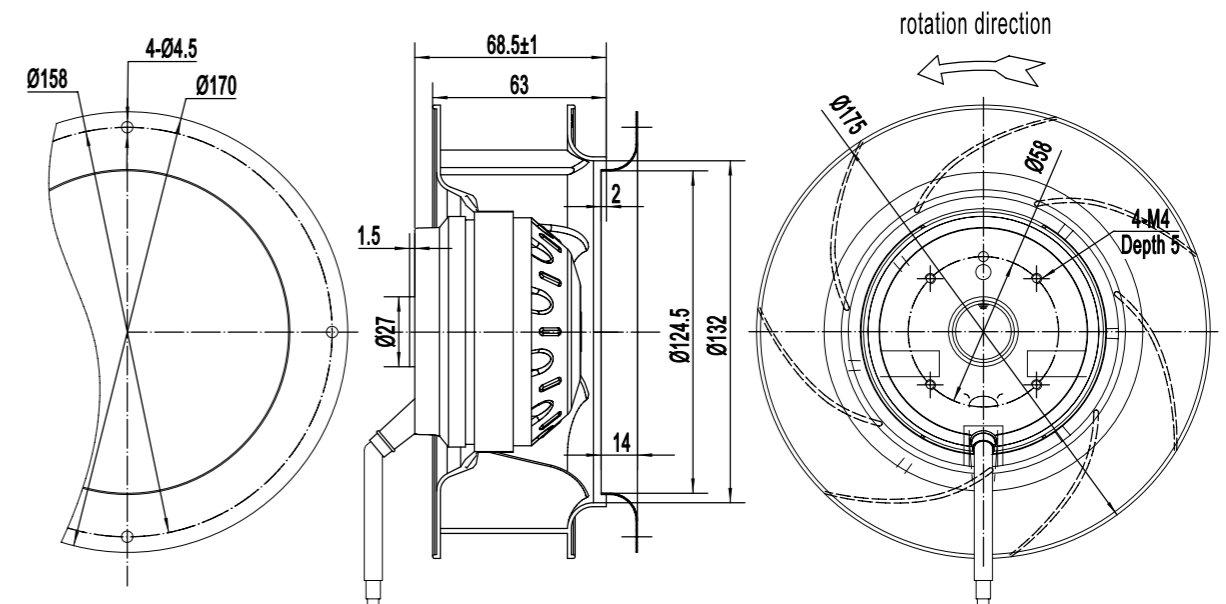


### B175-63 后倾离心风机 B175-63 Backward Centrifugal Fan

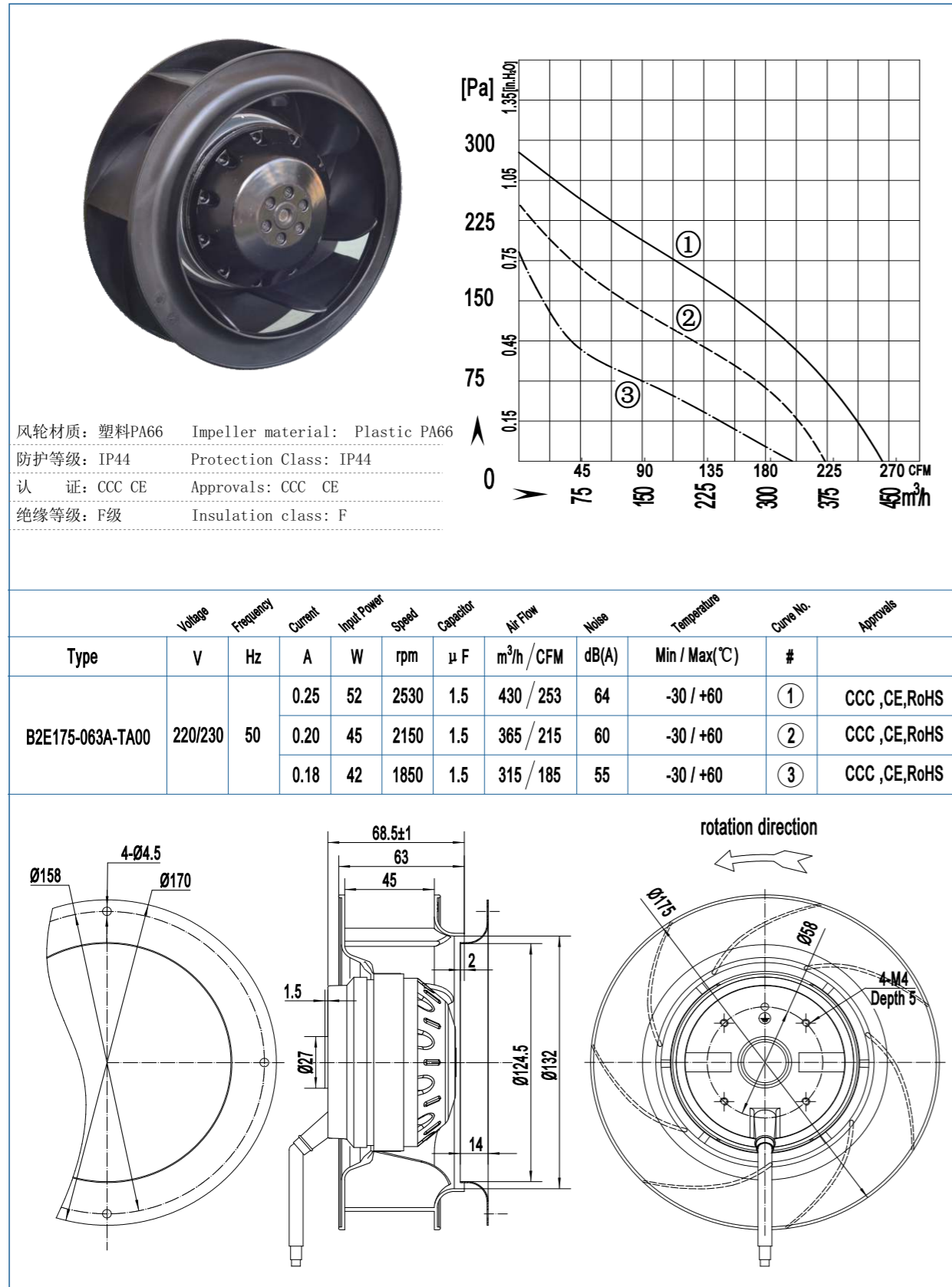


风轮材质: 塑料PA66 Impeller material: Plastic PA66  
 防护等级: IP44 Protection Class: IP44  
 认证: CCC CE Approvals: CCC CE  
 绝缘等级: F级 Insulation class: F

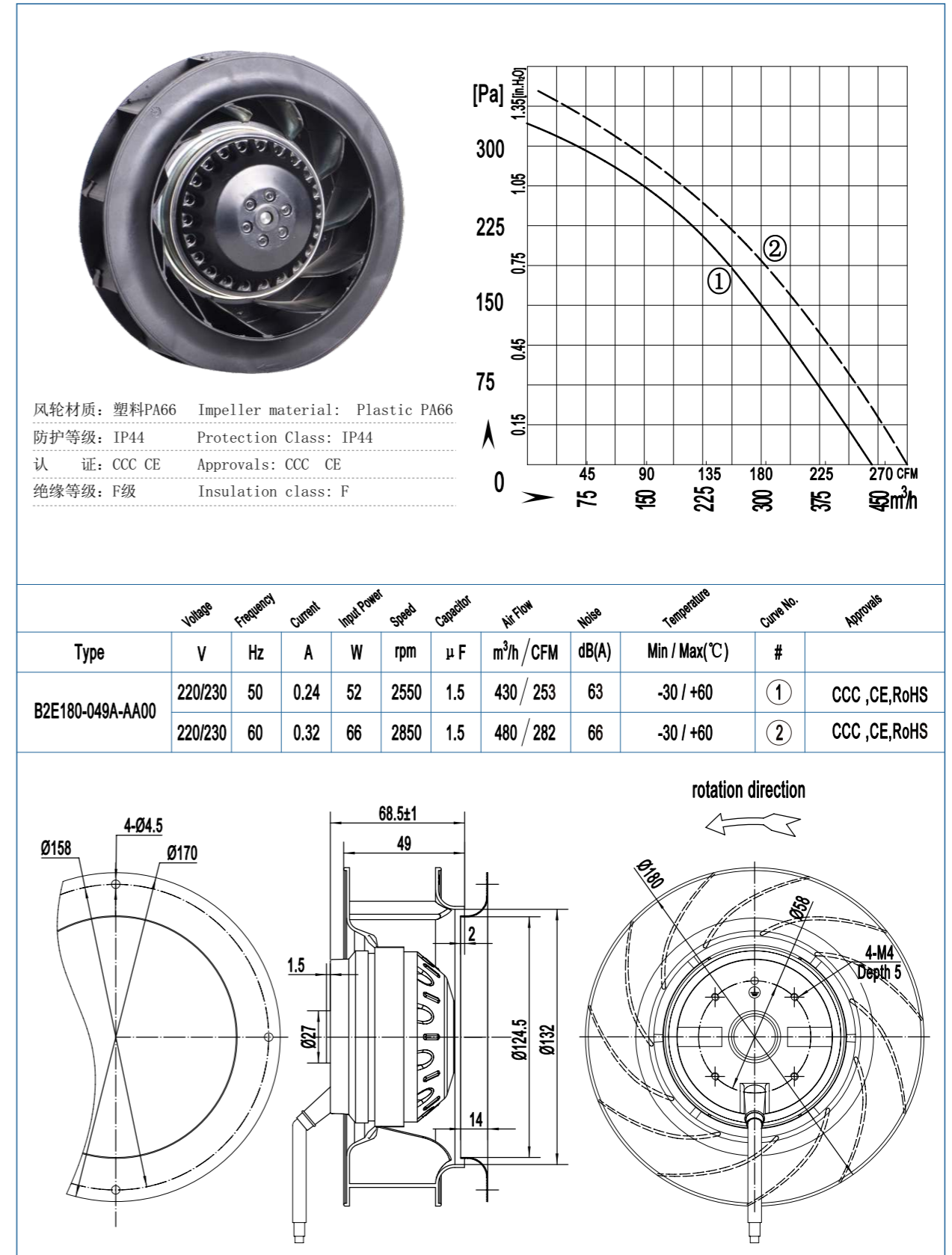
Type	Voltage	Frequency	Current	Input Power	Speed	Capacitor	Air Flow	Noise	Temperature	Curve No.	Approvals
Type	V	Hz	A	W	rpm	μF	m³/h / CFM	dB(A)	Min / Max(°C)	#	Approvals
B2E175-063A-AA00	220/230	50	0.24	52	2500	1.5	430 / 253	64	-30 / +60	①	CCC,CE,RoHS
	220/230	60	0.32	66	2700	1.5	490 / 288	66	-30 / +60	②	CCC,CE,RoHS



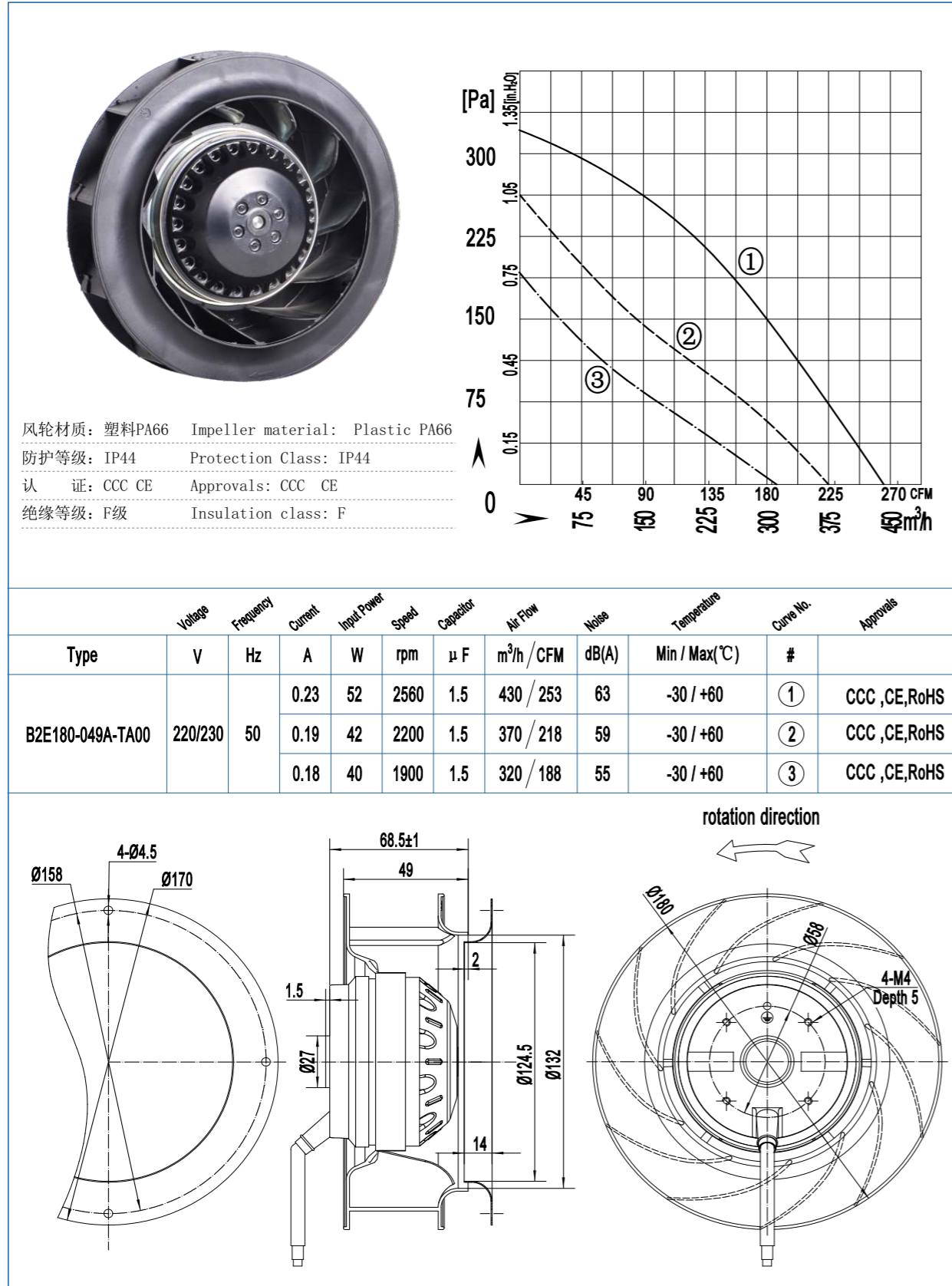
## B175-63-T 后倾离心风机 B175-63-T Backward Centrifugal Fan



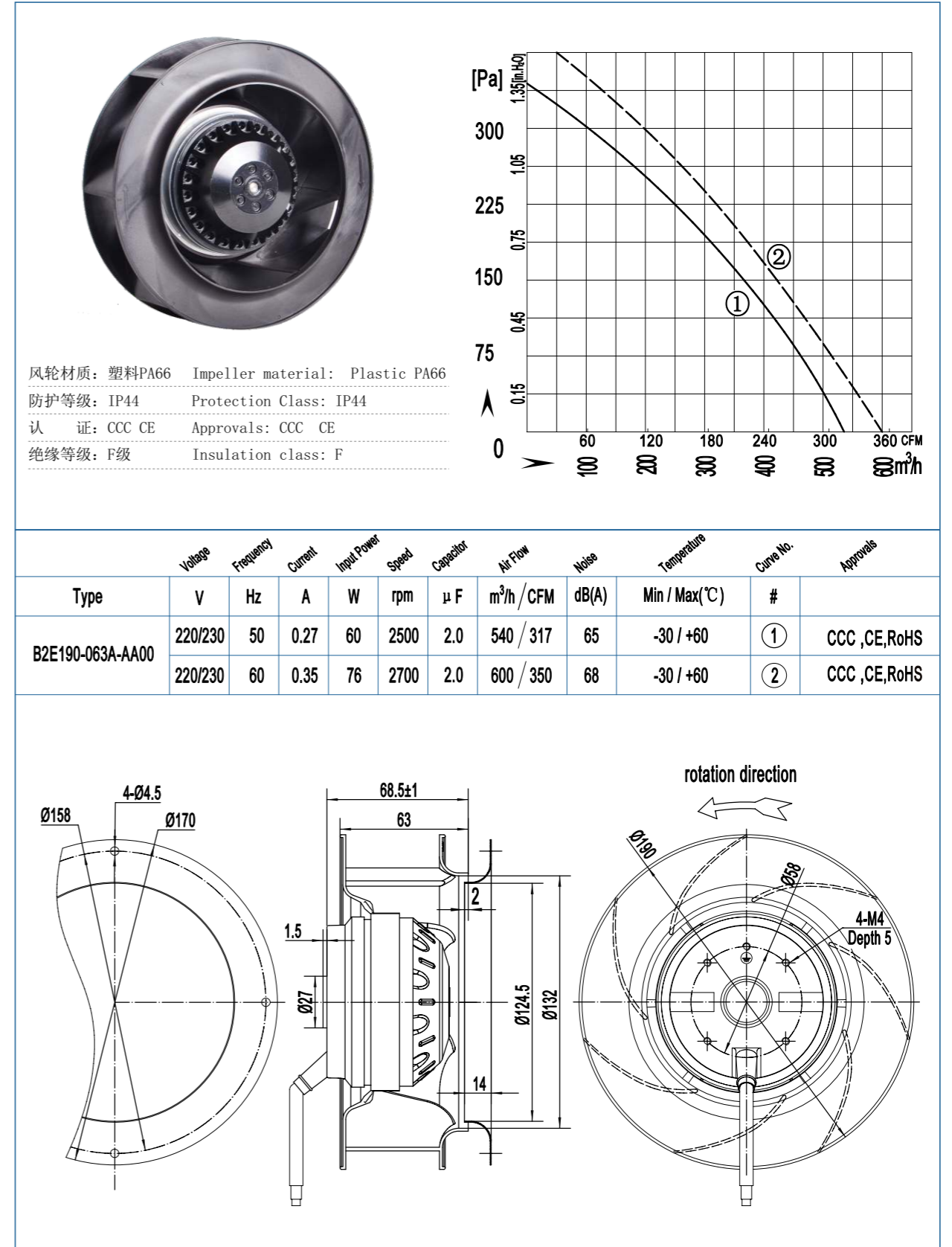
## B180-49 后倾离心风机 B180-49 Backward Centrifugal Fan



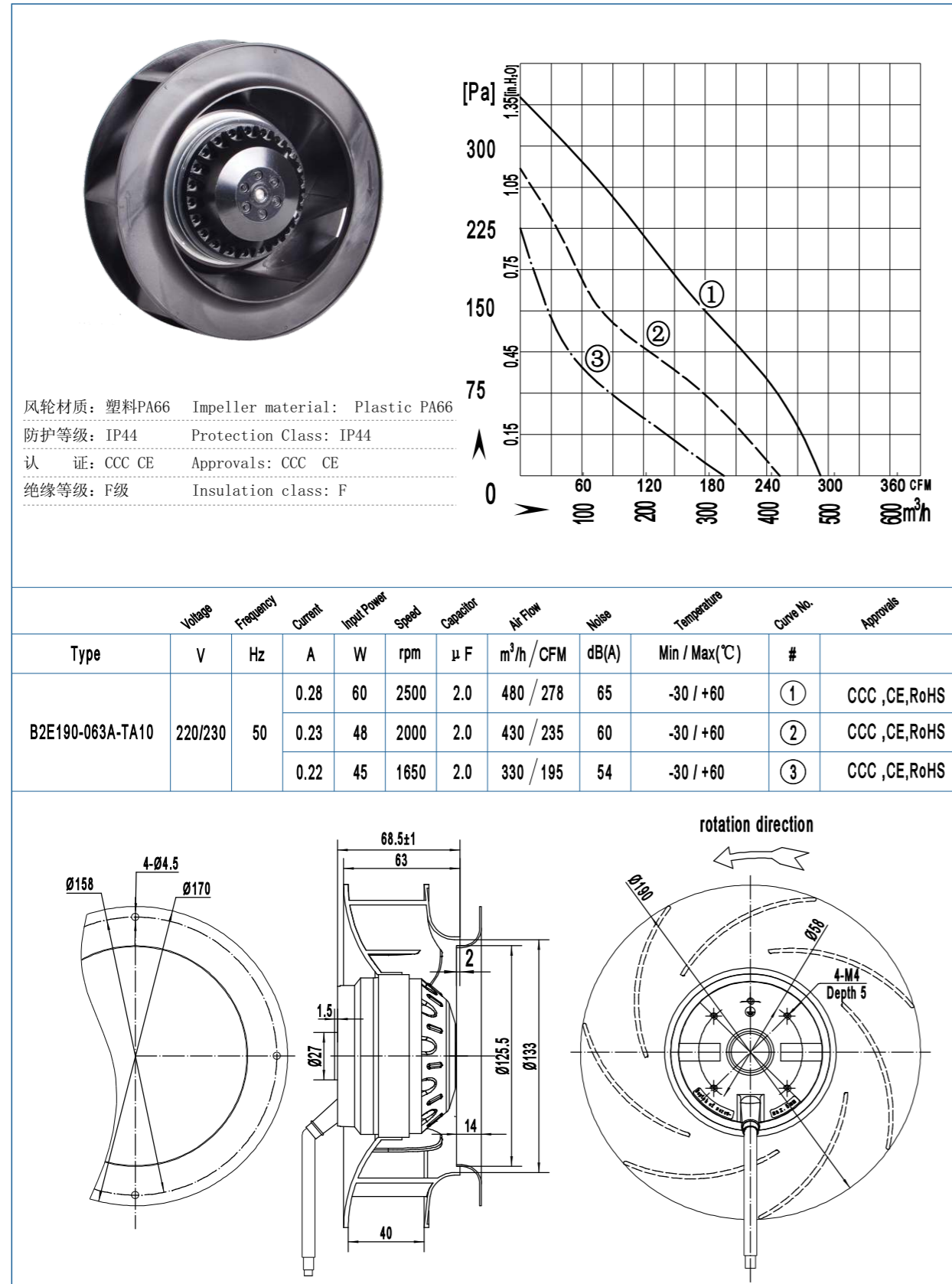
## B180-49-T 后倾离心风机 B180-49-T Backward Centrifugal Fan



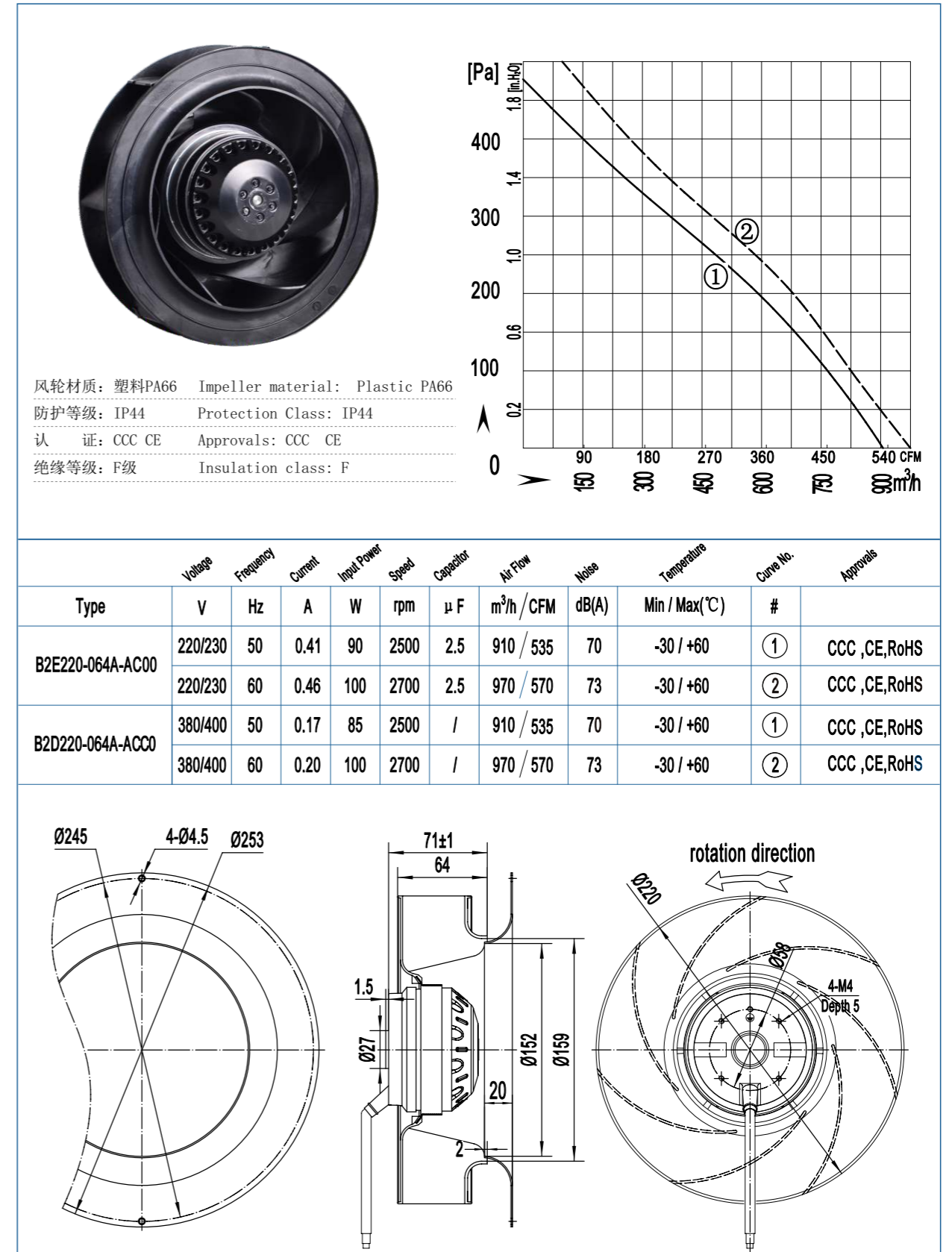
## B190-63 后倾离心风机 B190-63 Backward Centrifugal Fan



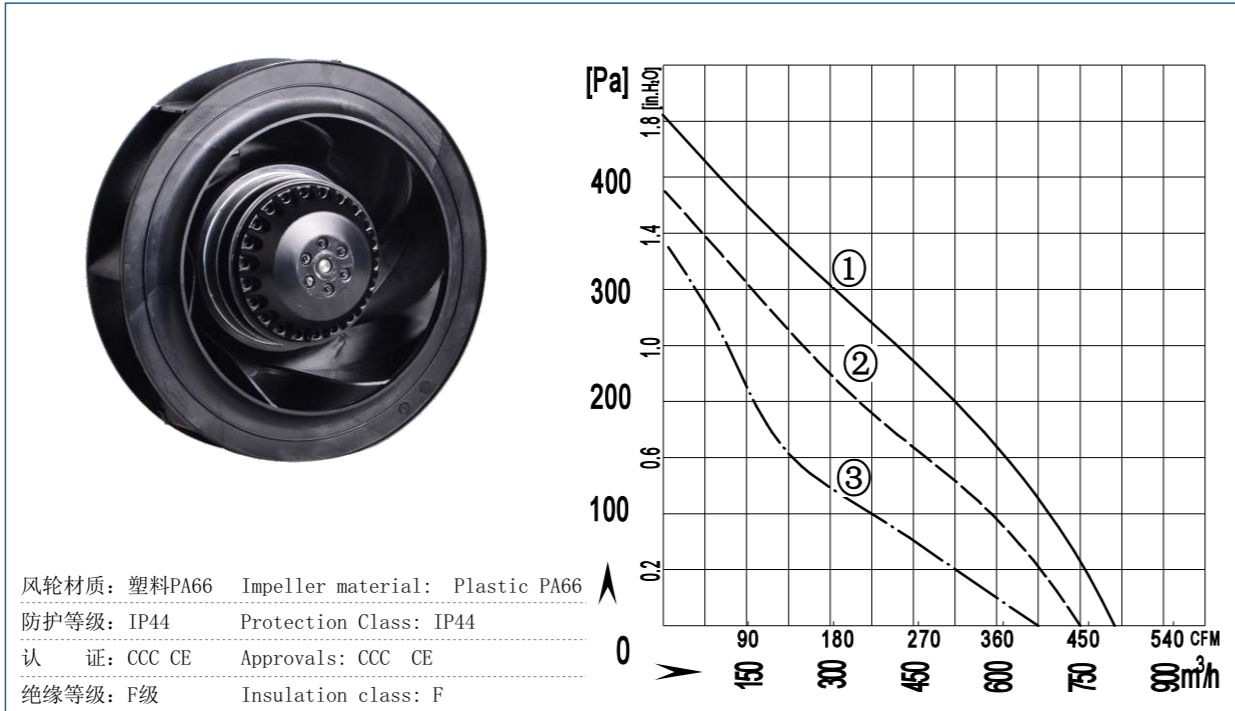
## B190-63-T 后倾离心风机 B190-63-T Backward Centrifugal Fan



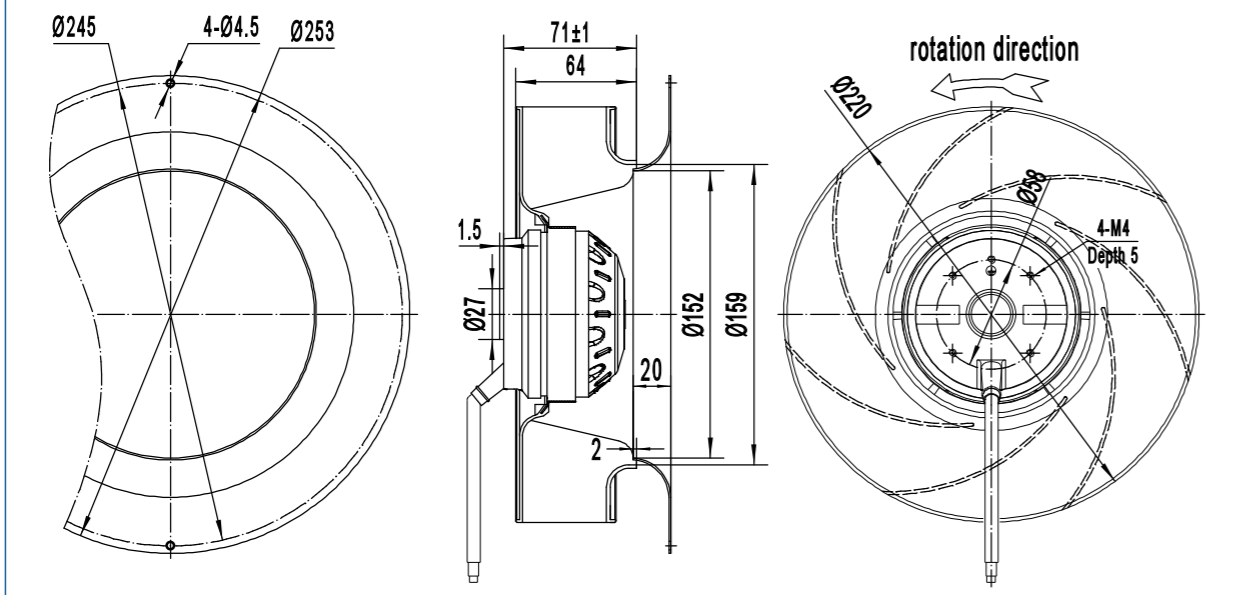
## B220-64 后倾离心风机 B220-64 Backward Centrifugal Fan



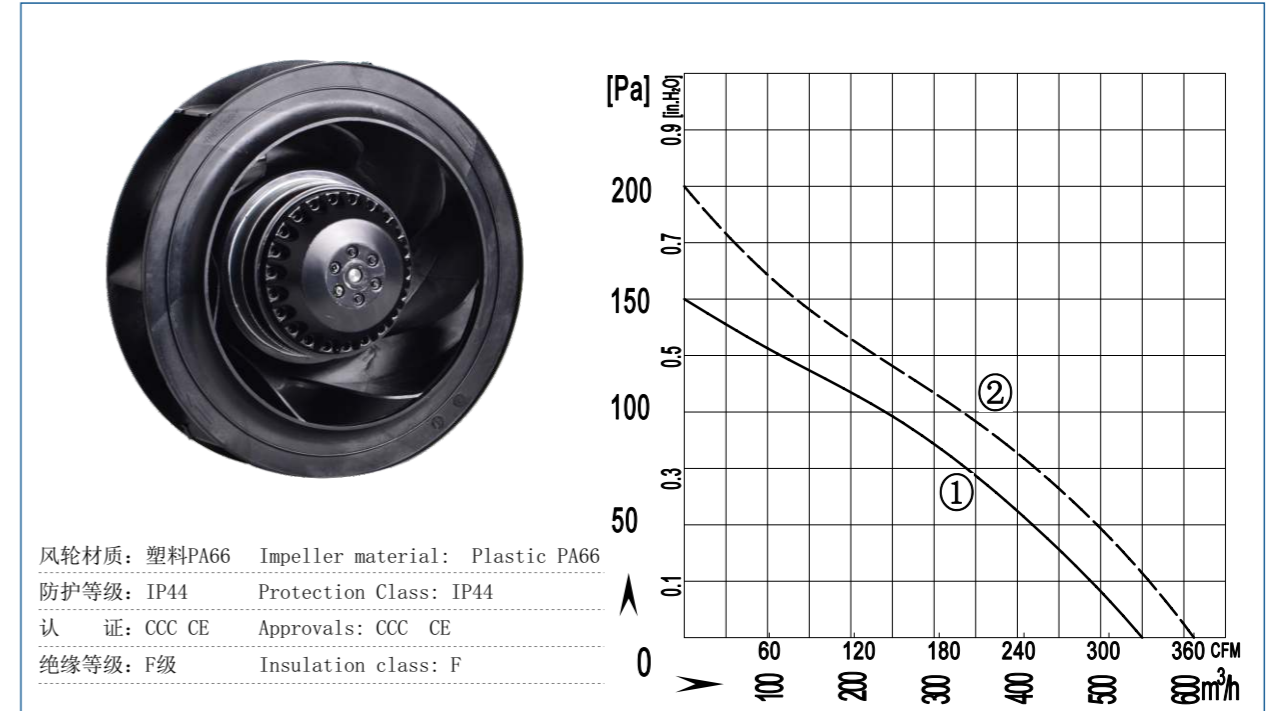
## B220-64-T 后倾离心风机 B220-64-T Backward Centrifugal Fan



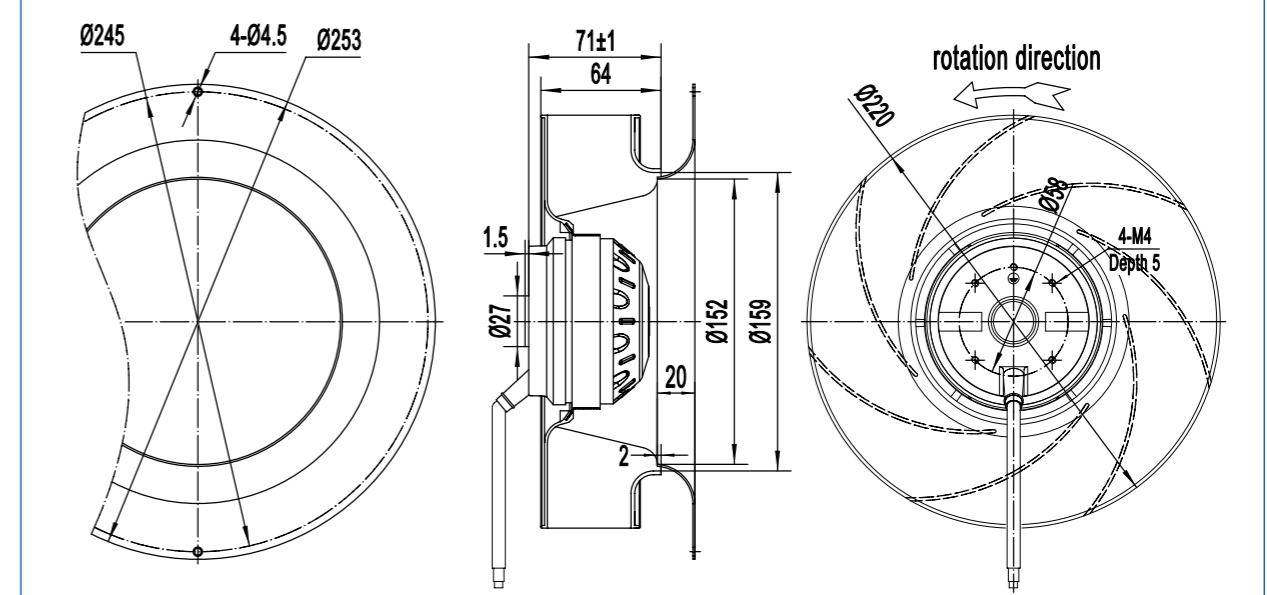
Type	Voltage	Frequency	Current	Input Power	Speed	Capacitor	Air Flow	Noise	Temperature	Curve No.	Approvals
Type	V	Hz	A	W	rpm	μ F	m³/h / CFM	dB(A)	Min / Max(°C)	#	
B2E220-064A-TC00	220/230	50	0.44	95	2500	2.5	800 / 470	70	-30 / +60	①	CCC ,CE,RoHS
			0.40	90	2300	2.5	750 / 441	67	-30 / +60	②	CCC ,CE,RoHS
			0.40	88	2000	2.5	670 / 394	64	-30 / +60	③	CCC ,CE,RoHS



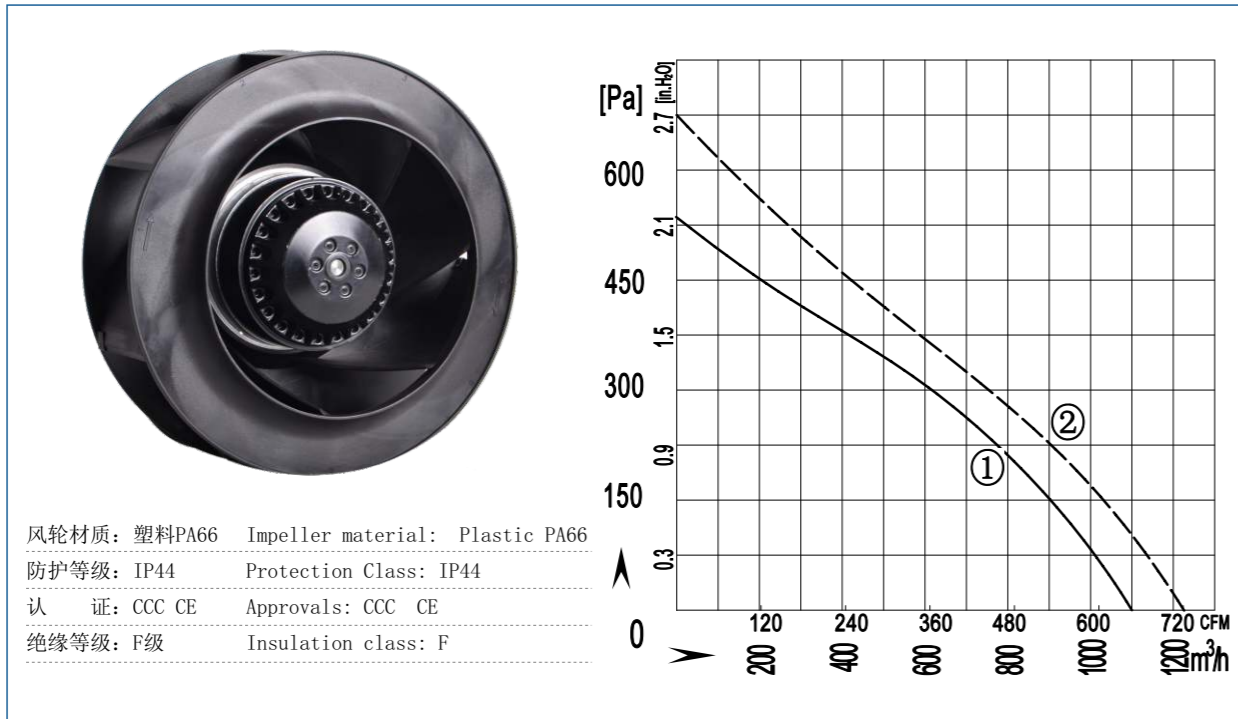
## B220-64 后倾离心风机 B220-64 Backward Centrifugal Fan



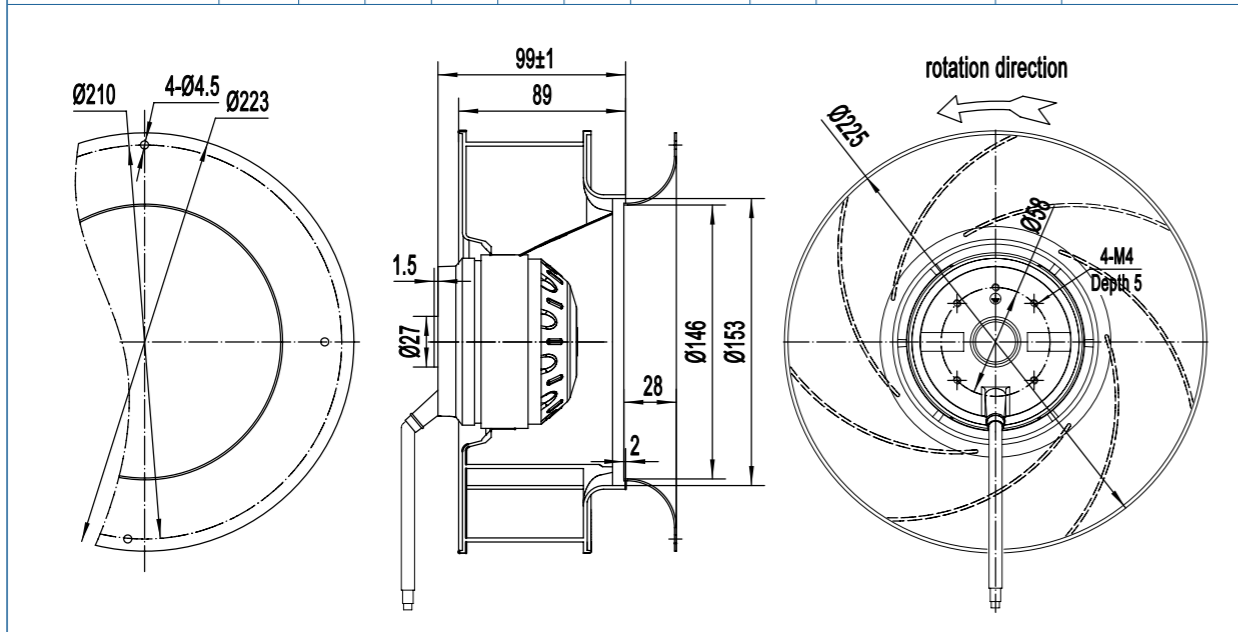
Type	Voltage	Frequency	Current	Input Power	Speed	Capacitor	Air Flow	Noise	Temperature	Curve No.	Approvals
Type	V	Hz	A	W	rpm	μ F	m³/h / CFM	dB(A)	Min / Max(°C)	#	
B4E220-064A-ACC0	220/230	50	0.23	40	1420	1.5	550 / 323	52	-30 / +60	①	CCC ,CE,RoHS
			0.19	41	1650	1.5	610 / 359	58	-30 / +60	②	CCC ,CE,RoHS
B4D220-064A-ACC0	380/400	50	0.08	38	1400	/	550 / 323	52	-30 / +60	①	CCC ,CE,RoHS
			0.10	41	1650	/	610 / 359	58	-30 / +60	②	CCC ,CE,RoHS



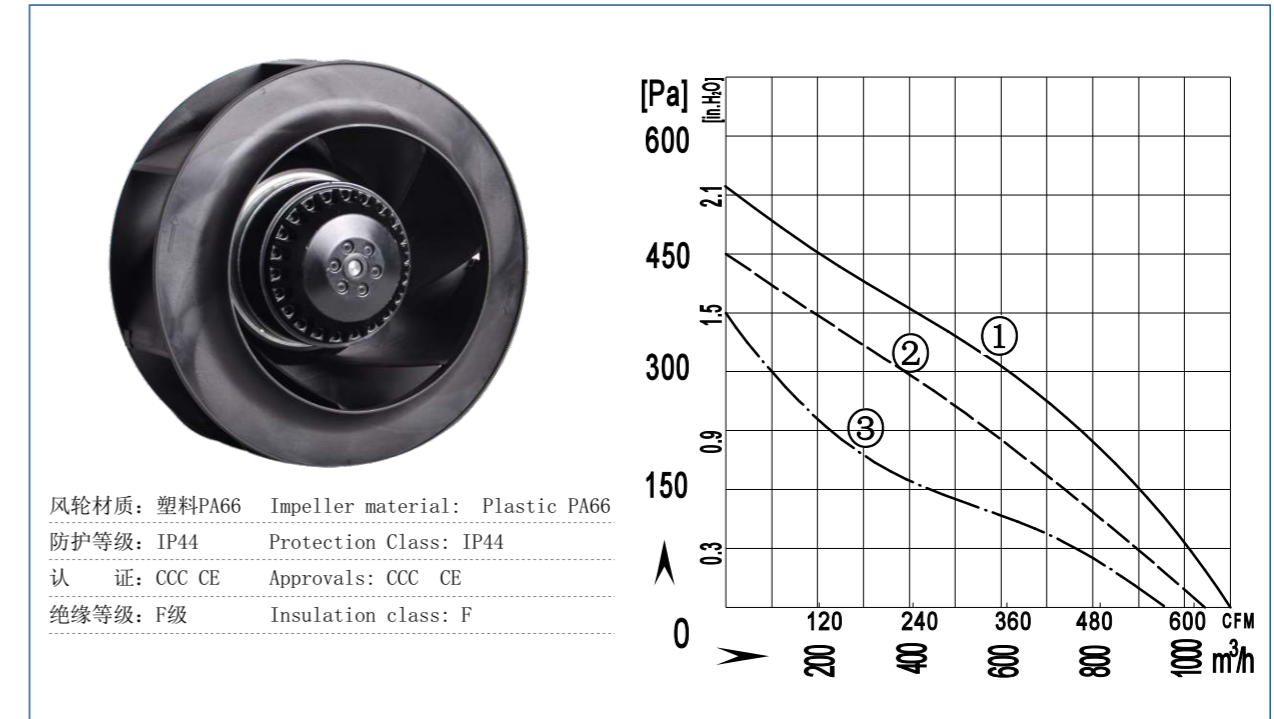
## B225-89 后倾离心风机 B225-89 Backward Centrifugal Fan



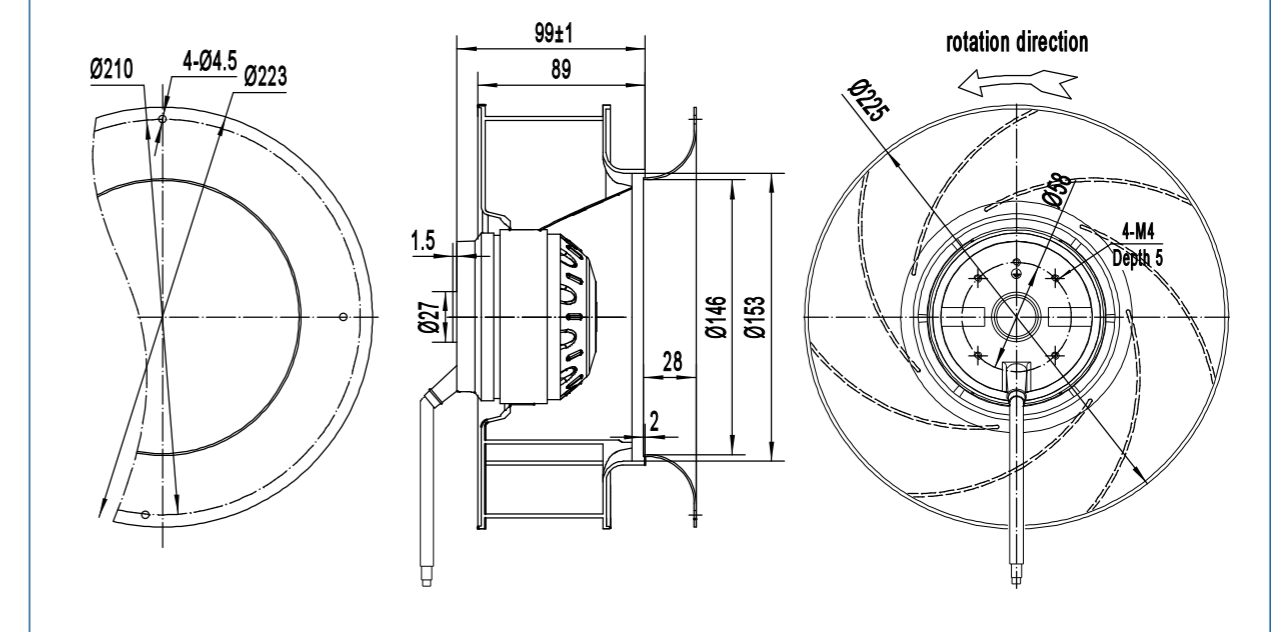
Type	Voltage	Frequency	Current	Input Power	Speed	Capacitor	Air Flow	Noise	Temperature	Curve No.	Approvals
Type	V	Hz	A	W	rpm	μF	m³/h / CFM	dB(A)	Min / Max(°C)	#	
B2E225-089A-AE00	220/230	50	0.60	135	2600	4	1100 / 647	70	-30 / +60	①	CCC ,CE,RoHS
	220/230	60	0.90	180	2900	4	1250 / 735	72	-30 / +60	②	CCC ,CE,RoHS
B2D225-089A-AE00	380/400	50	0.23	135	2600	/	1100 / 647	70	-30 / +60	①	CCC ,CE,RoHS
	380/400	60	0.28	180	2900	/	1250 / 735	72	-30 / +60	②	CCC ,CE,RoHS



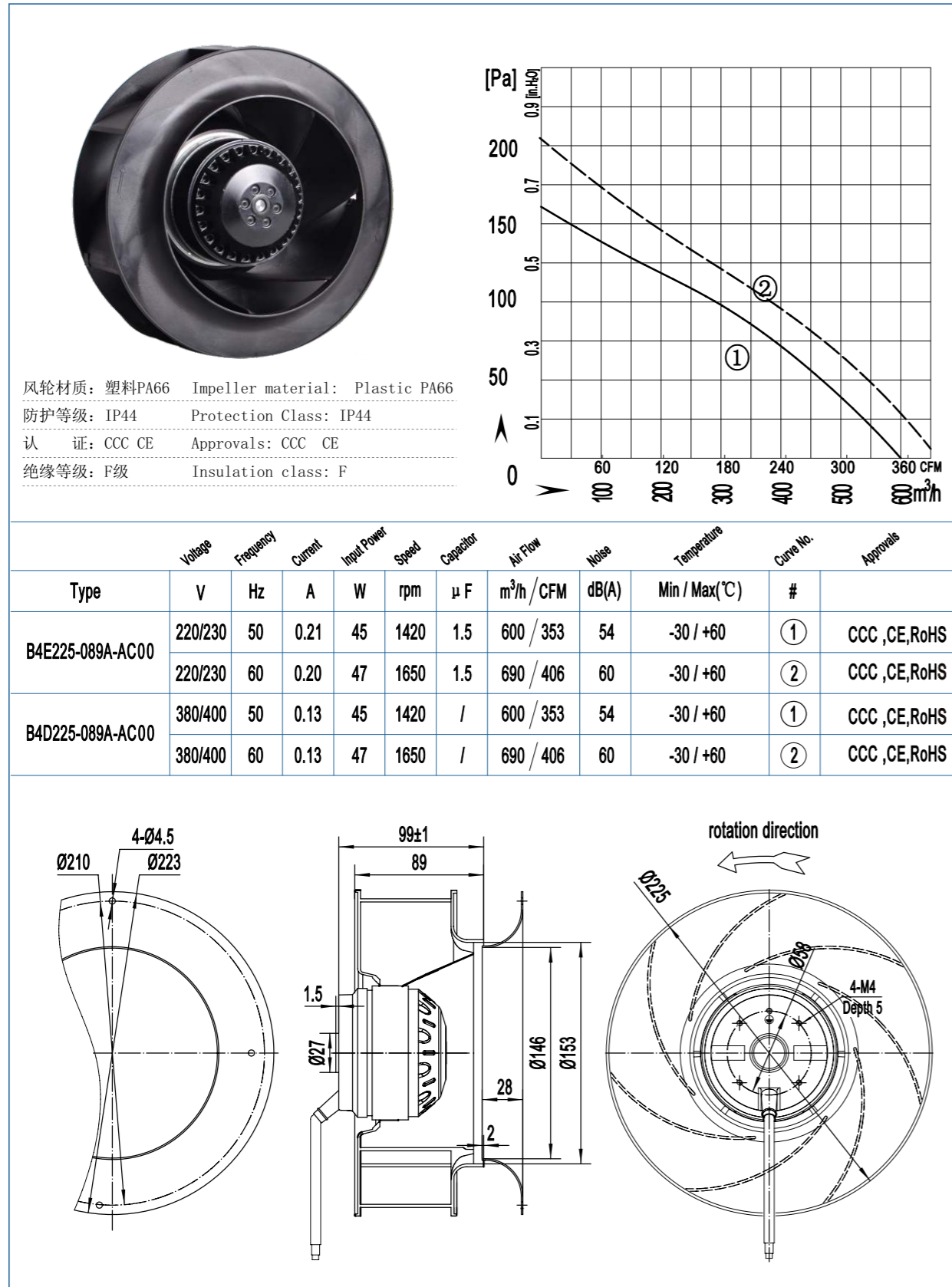
## B225-89-T 后倾离心风机 B225-89-T Backward Centrifugal Fan



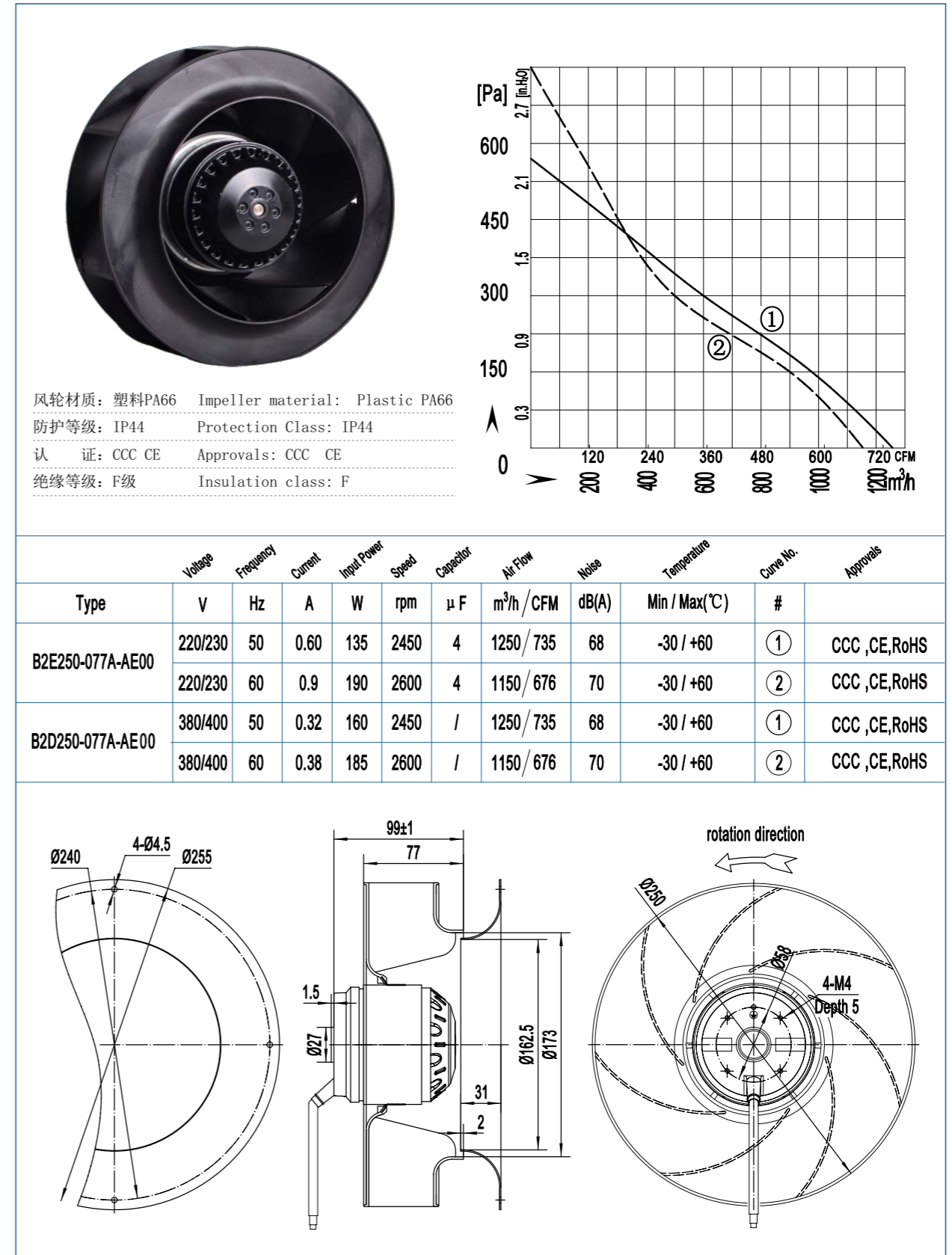
Type	Voltage	Frequency	Current	Input Power	Speed	Capacitor	Air Flow	Noise	Temperature	Curve No.	Approvals
Type	V	Hz	A	W	rpm	μF	m³/h / CFM	dB(A)	Min / Max(°C)	#	
B2E225-089A-TE00	220/230	50	0.60	125	2630	4	1100 / 647	70	-30 / +60	①	CCC ,CE,RoHS
			0.54	120	2500	4	1045 / 615	68.5	-30 / +60	②	CCC ,CE,RoHS
			0.52	115	2290	4	955 / 563	66	-30 / +60	③	CCC ,CE,RoHS



## B225-89 后倾离心风机 B225-89 Backward Centrifugal Fan

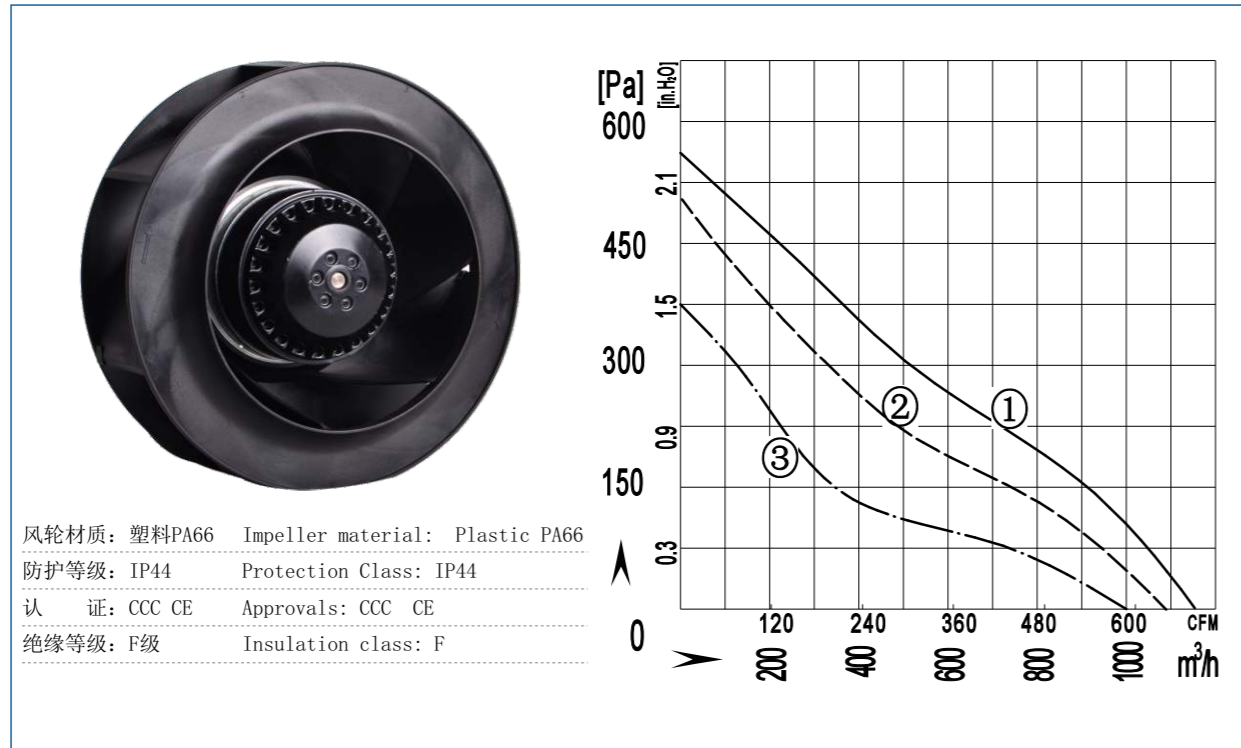


## B250-77 后倾离心风机 B250-77 Backward Centrifugal Fan

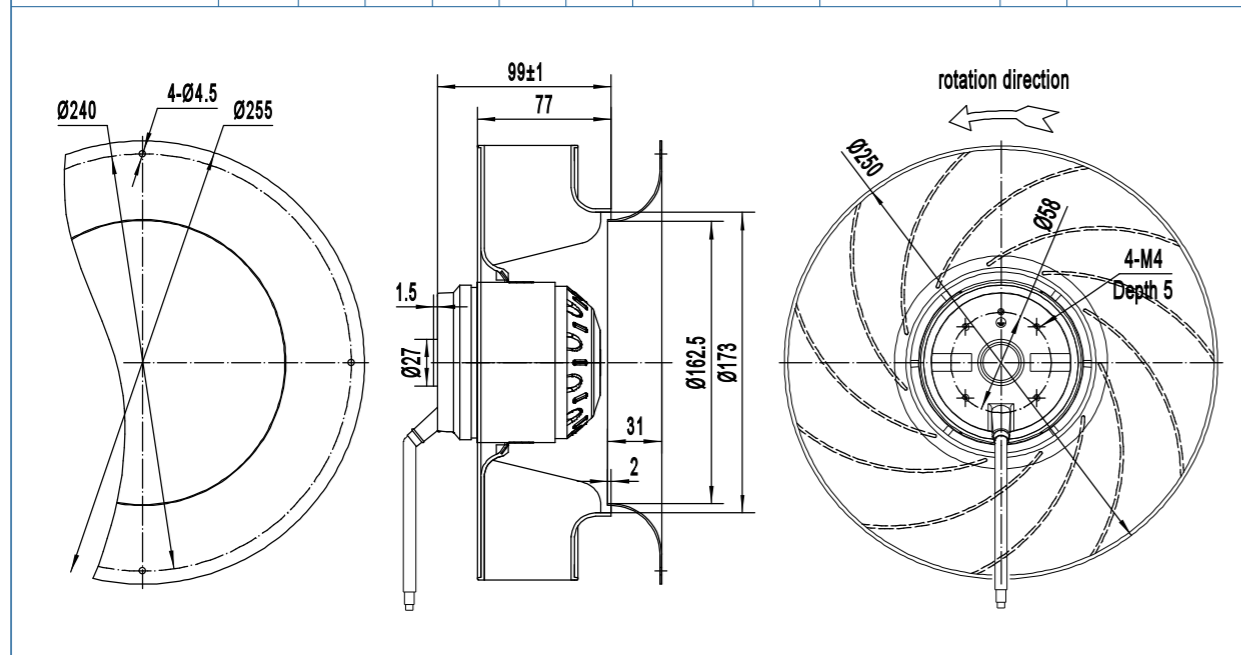




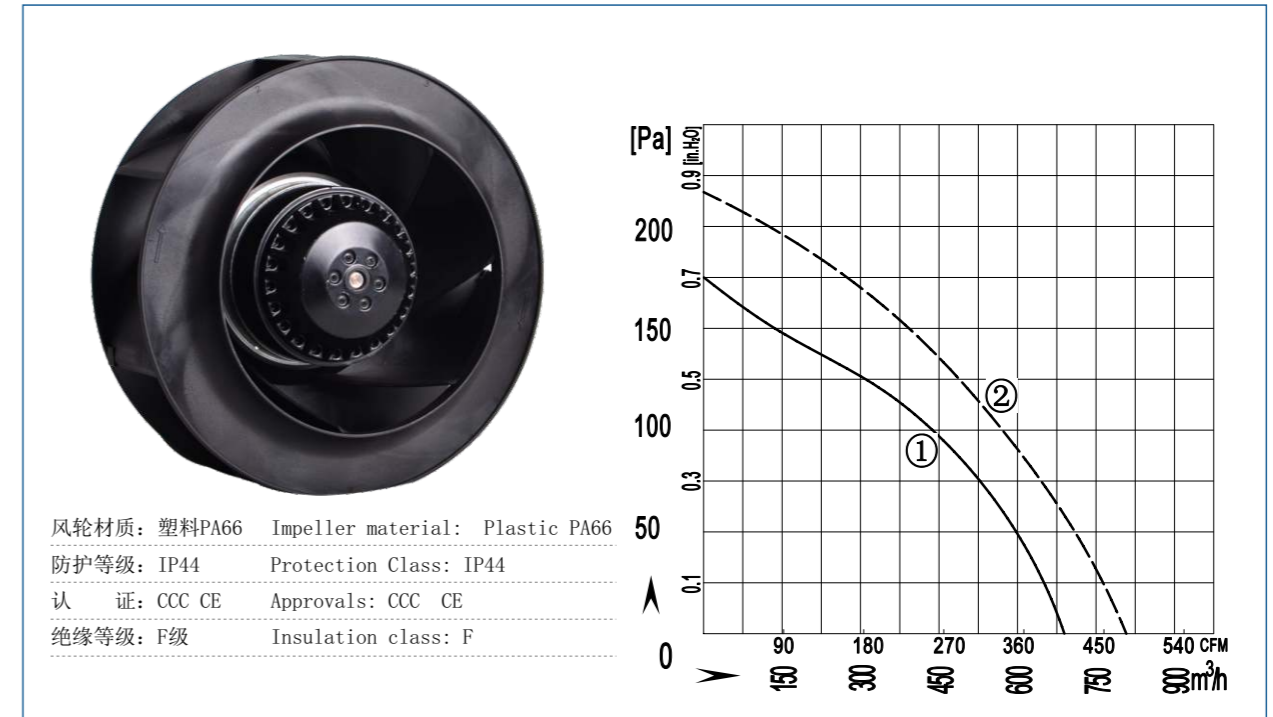
## B250-77-T 后倾离心风机 B250-77-T Backward Centrifugal Fan



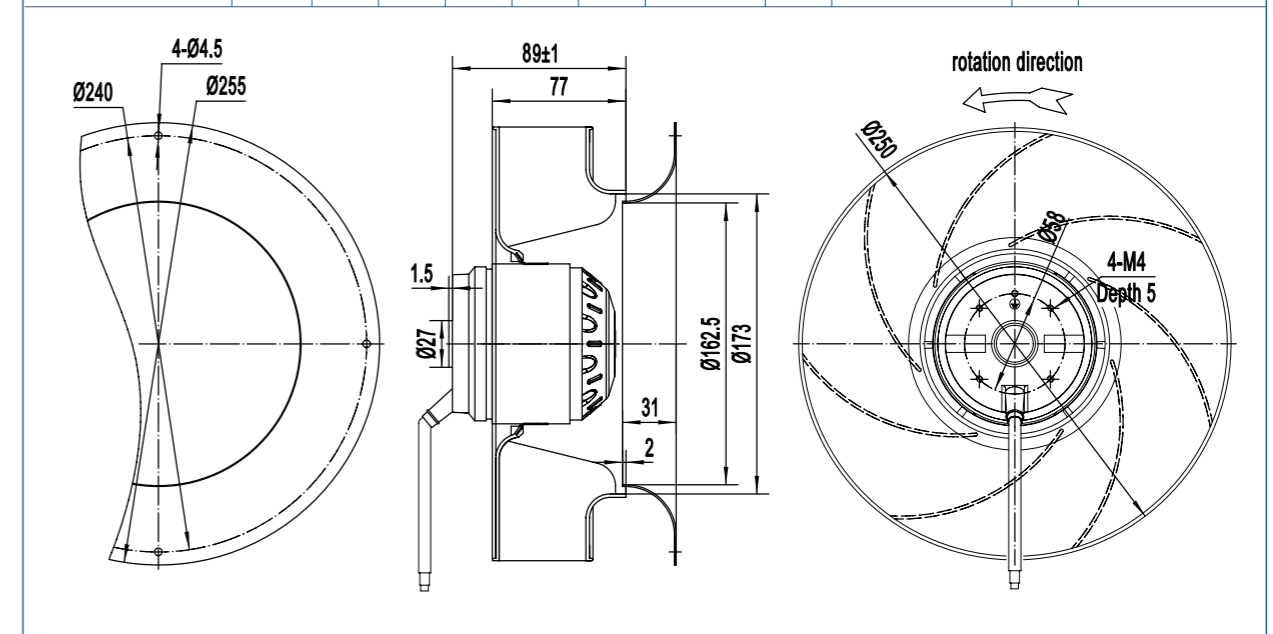
Type	Voltage	Frequency	Current	Input Power	Speed	Capacitor	Air Flow	Noise	Temperature	Curve No.	Approvals
Type	V	Hz	A	W	rpm	μF	m³/h / CFM	dB(A)	Min / Max(°C)	#	
B2E250-077A-TE00	220/230	50	0.62	130	2650	4	1150 / 676	68	-30 / +60	①	CCC ,CE,RoHS
			0.58	125	2400	4	1090 / 641	65	-30 / +60	②	CCC ,CE,RoHS
B4D250-077A-ACC0	380/400	50	0.15	53	1400	/	680 / 400	61	-30 / +60	①	CCC ,CE,RoHS
			0.16	58	1600	/	800 / 470	64	-30 / +60	②	CCC ,CE,RoHS



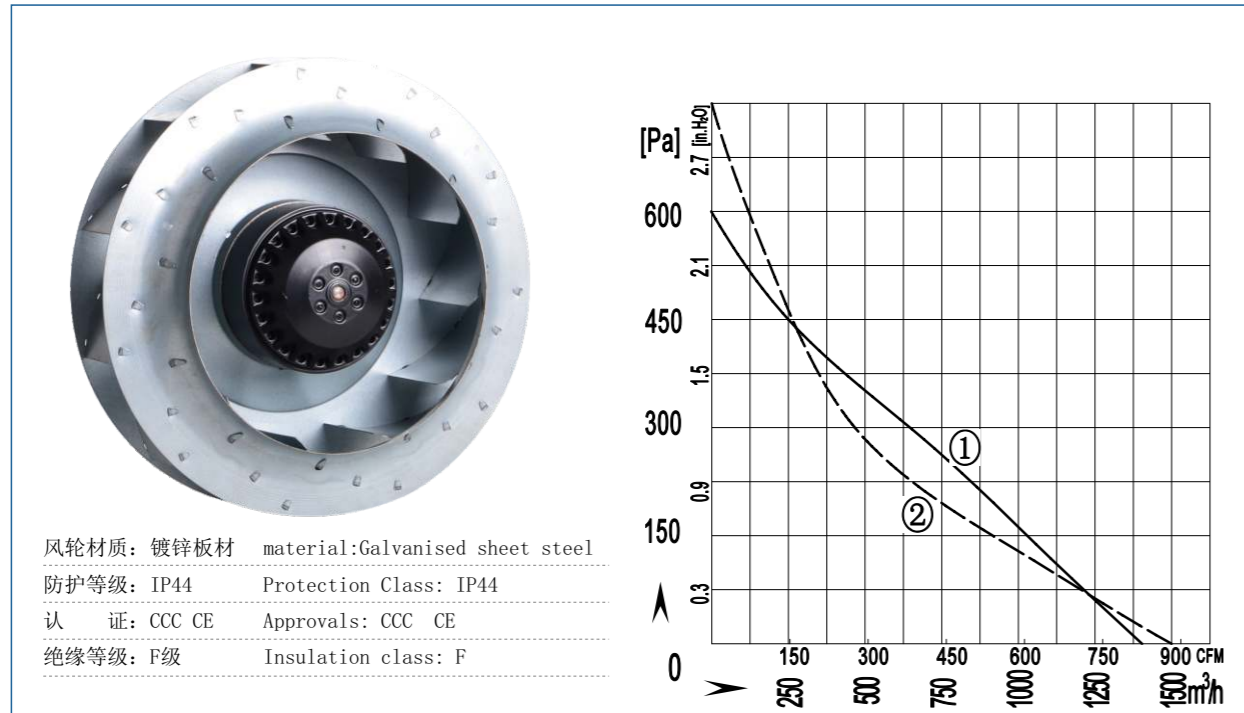
## B250-77 后倾离心风机 B250-77 Backward Centrifugal Fan



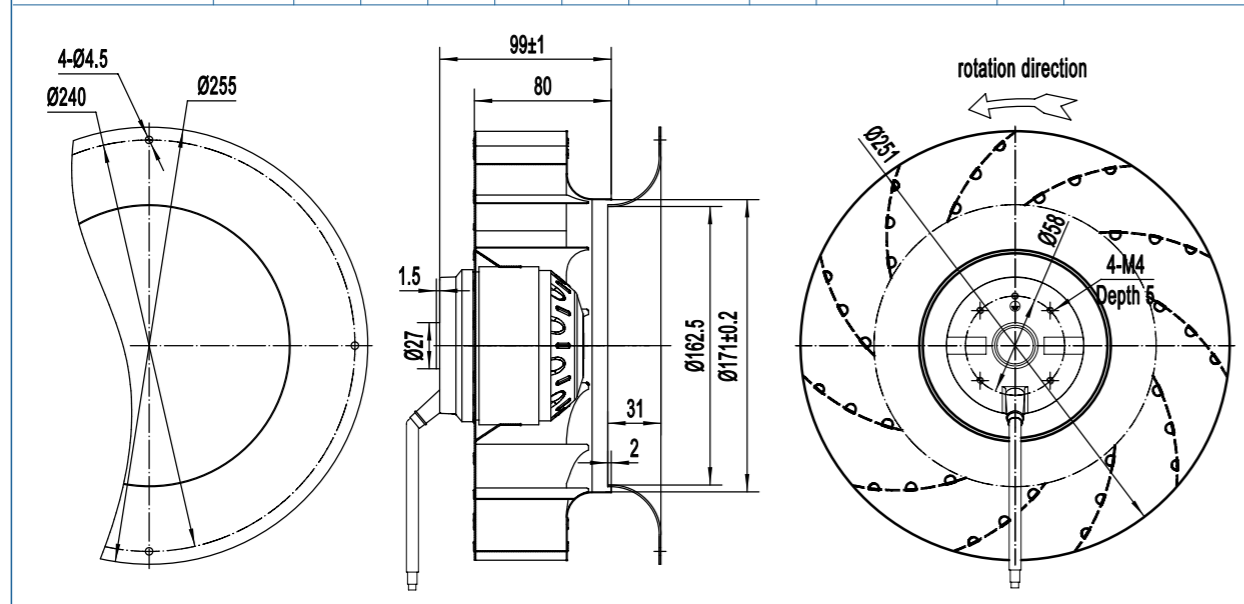
Type	Voltage	Frequency	Current	Input Power	Speed	Capacitor	Air Flow	Noise	Temperature	Curve No.	Approvals
Type	V	Hz	A	W	rpm	μF	m³/h / CFM	dB(A)	Min / Max(°C)	#	
B4E250-077A-ACC0	220/230	50	0.28	53	1400	2	680 / 400	61	-30 / +60	①	CCC ,CE,RoHS
			0.28	58	1600	2	800 / 470	64	-30 / +60	②	CCC ,CE,RoHS
B4D250-077A-ACC0	380/400	50	0.15	53	1400	/	680 / 400	61	-30 / +60	①	CCC ,CE,RoHS
			0.16	58	1600	/	800 / 470	64	-30 / +60	②	CCC ,CE,RoHS



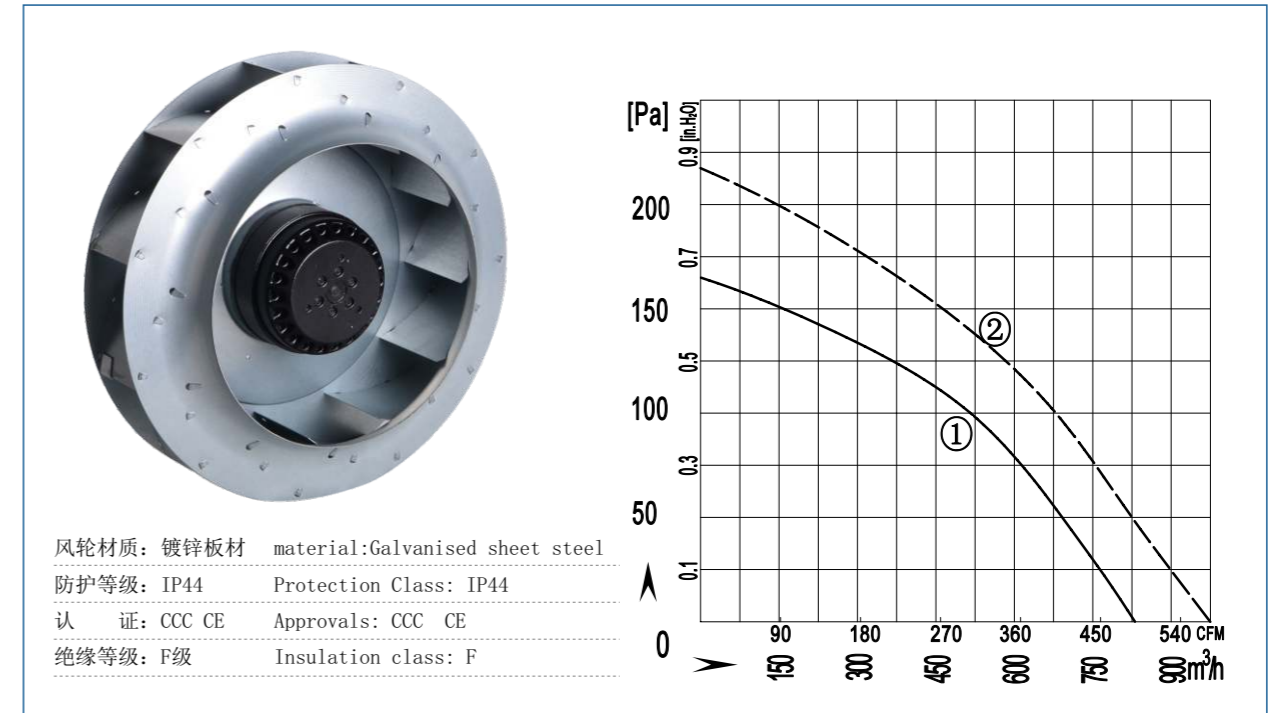
## B250-080 后倾离心风机 B250-080 Backward Centrifugal Fan



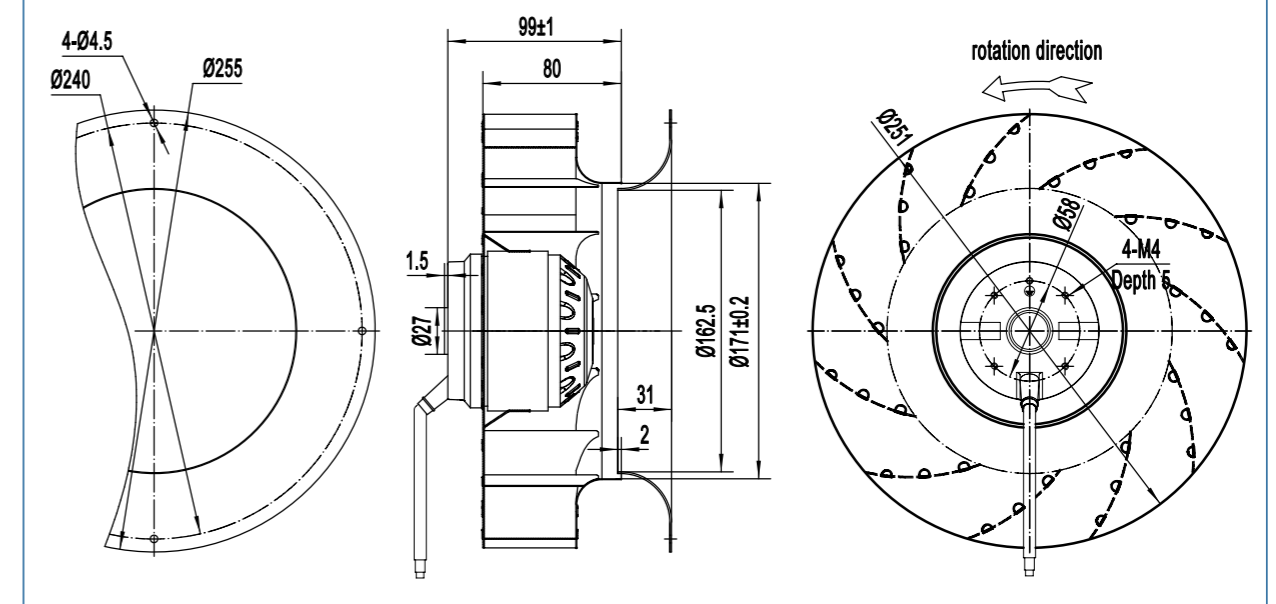
Type	Voltage	Frequency	Current	Input Power	Speed	Capacitor	Air Flow	Noise	Temperature	Curve No.	Approvals
Type	V	Hz	A	W	rpm	μF	m³/h / CFM	dB(A)	Min / Max(°C)	#	Approvals
B2E250-080A-AE00	220/230	50	0.70	155	2500	4	1380 / 811	70	-30 / +60	①	CCC ,CE,RoHS
	220/230	60	0.95	210	2600	4	1455 / 855	72	-30 / +60	②	CCC ,CE,RoHS
B2D250-080A-AE00	380/400	50	0.31	150	2450	/	1380 / 811	70	-30 / +60	①	CCC ,CE,RoHS
	380/400	60	0.37	200	2550	/	1455 / 855	72	-30 / +60	②	CCC ,CE,RoHS



## B250-080 后倾离心风机 B250-080 Backward Centrifugal Fan



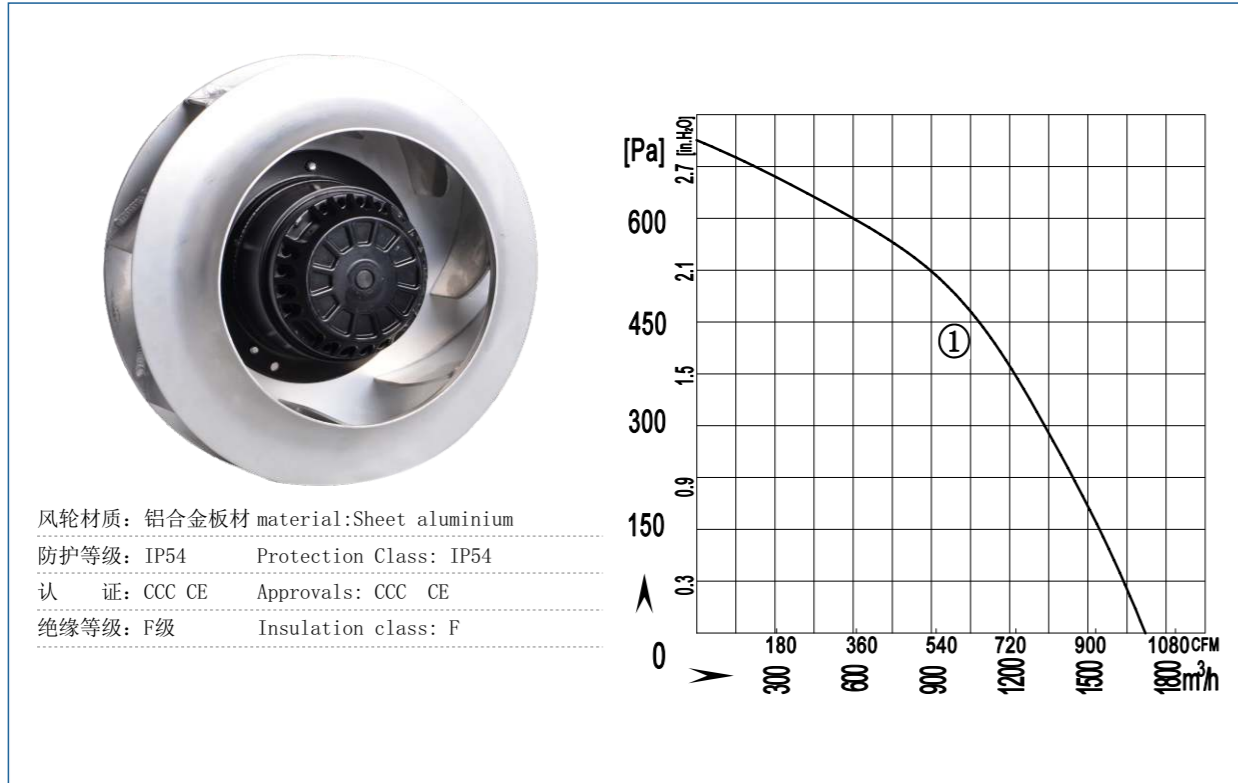
Type	Voltage	Frequency	Current	Input Power	Speed	Capacitor	Air Flow	Noise	Temperature	Curve No.	Approvals
Type	V	Hz	A	W	rpm	μF	m³/h / CFM	dB(A)	Min / Max(°C)	#	Approvals
B4E250-080A-ACC0	220/230	50	0.24	50	1400	2	830 / 488	68	-30 / +60	①	CCC ,CE,RoHS
	220/230	60	0.27	60	1600	2	950 / 558	70	-30 / +60	②	CCC ,CE,RoHS
B4D250-080A-ACC0	380/400	50	0.15	50	1450	/	830 / 488	68	-30 / +60	①	CCC ,CE,RoHS
	380/400	60	0.15	60	1600	/	950 / 558	70	-30 / +60	②	CCC ,CE,RoHS



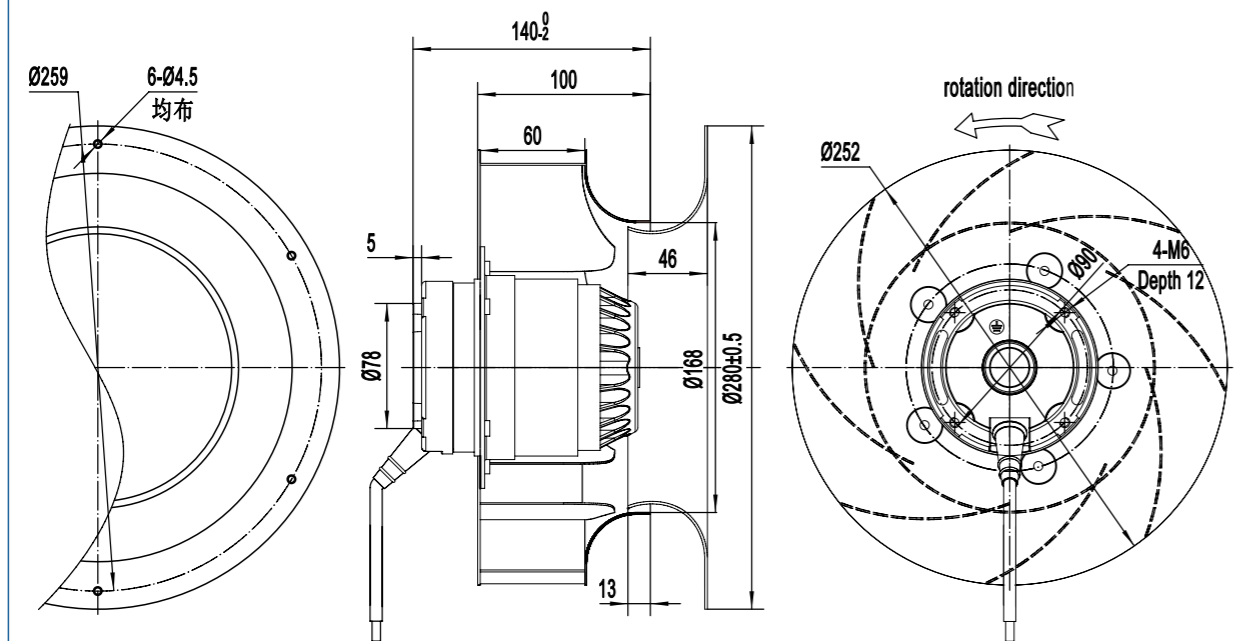
离心风机  
Centrifugal Fans

离心风机  
Centrifugal Fans

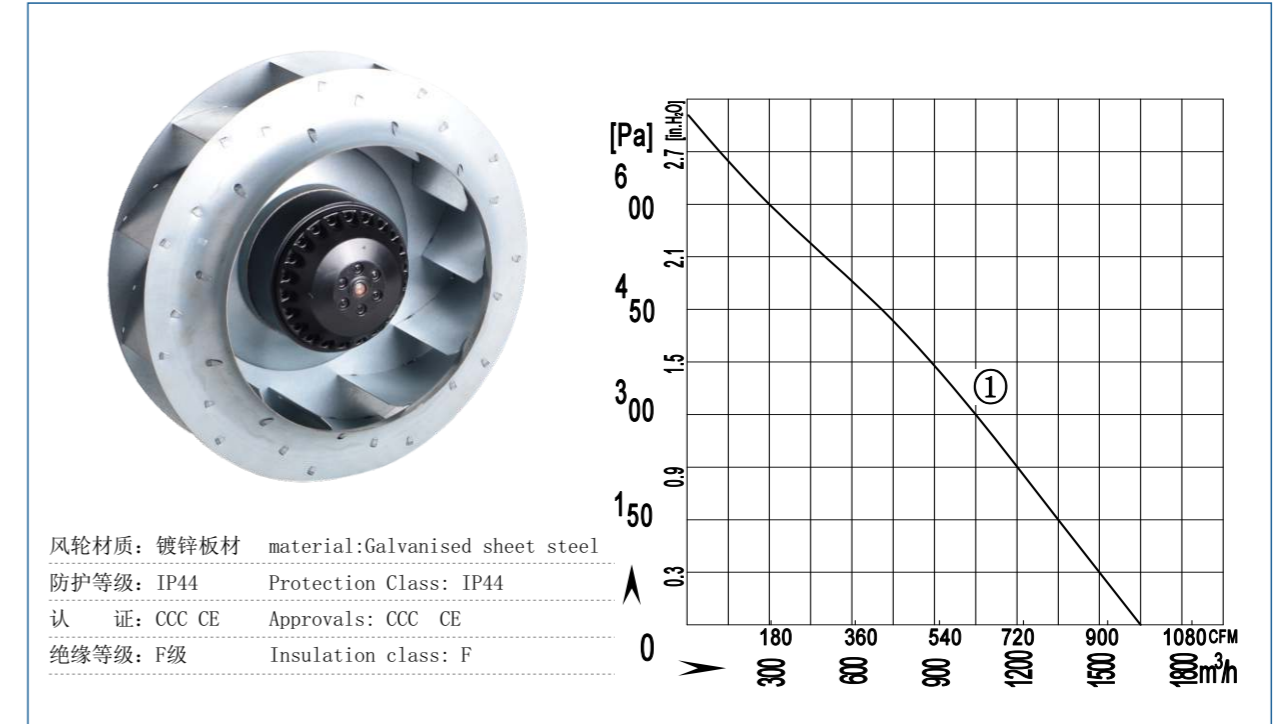
## B250-100 后倾离心风机 B250-100 Backward Centrifugal Fan



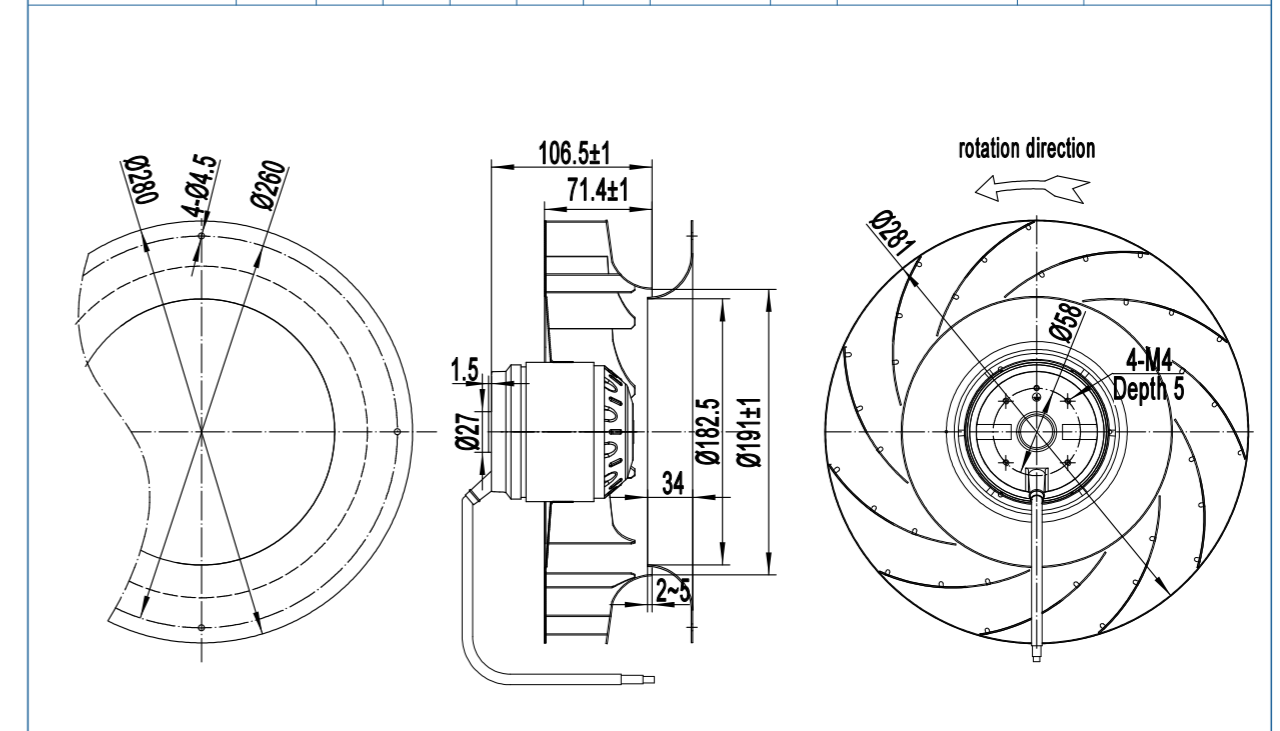
Type	Voltage	Frequency	Current	Input Power	Speed	Capacitor	Air Flow	Noise	Temperature	Curve No.	Approvals
Type	V	Hz	A	W	rpm	μF	m³/h / CFM	dB(A)	Min / Max(°C)	#	Approvals
B2E250-100A-AN00	220/230	50	1.2	290	2650	6	1700/1000	76	-30 / +60	①	CCC ,CE,RoHS
B2D250-100A-AN00	380/400	50	0.9	290	2800	/	1700/1000	77	-30 / +60	①	CCC ,CE,RoHS



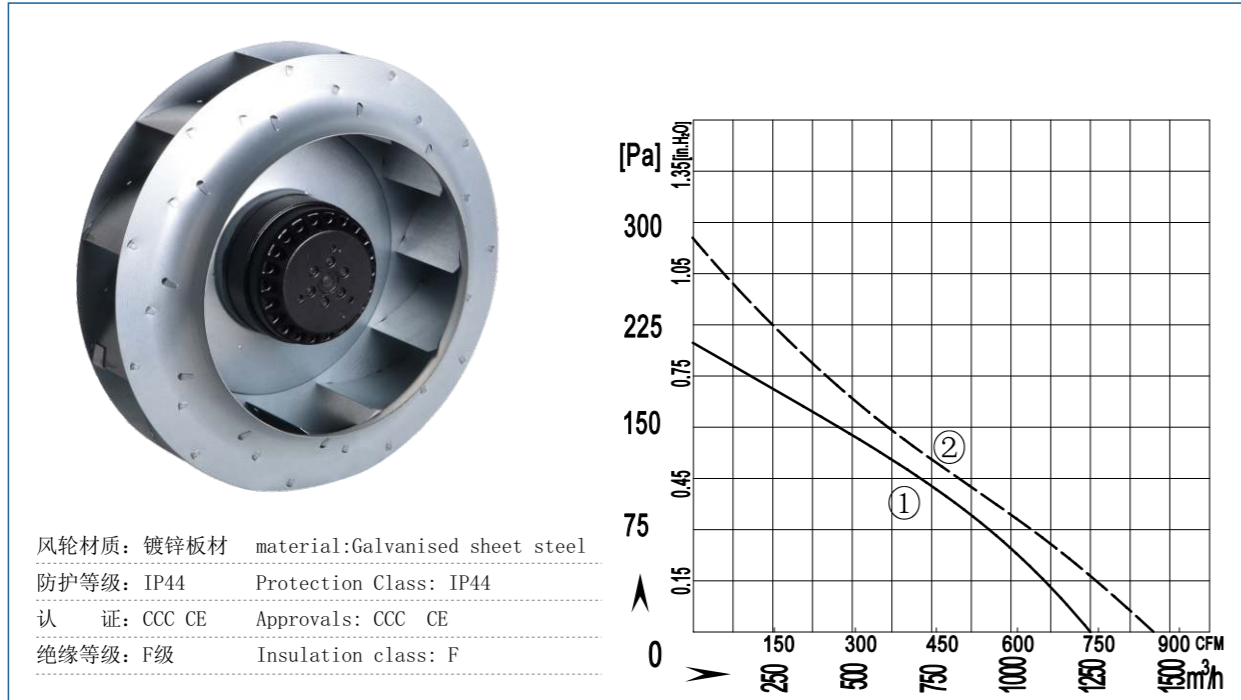
## B280-071 后倾离心风机 B280-071 Backward Centrifugal Fan



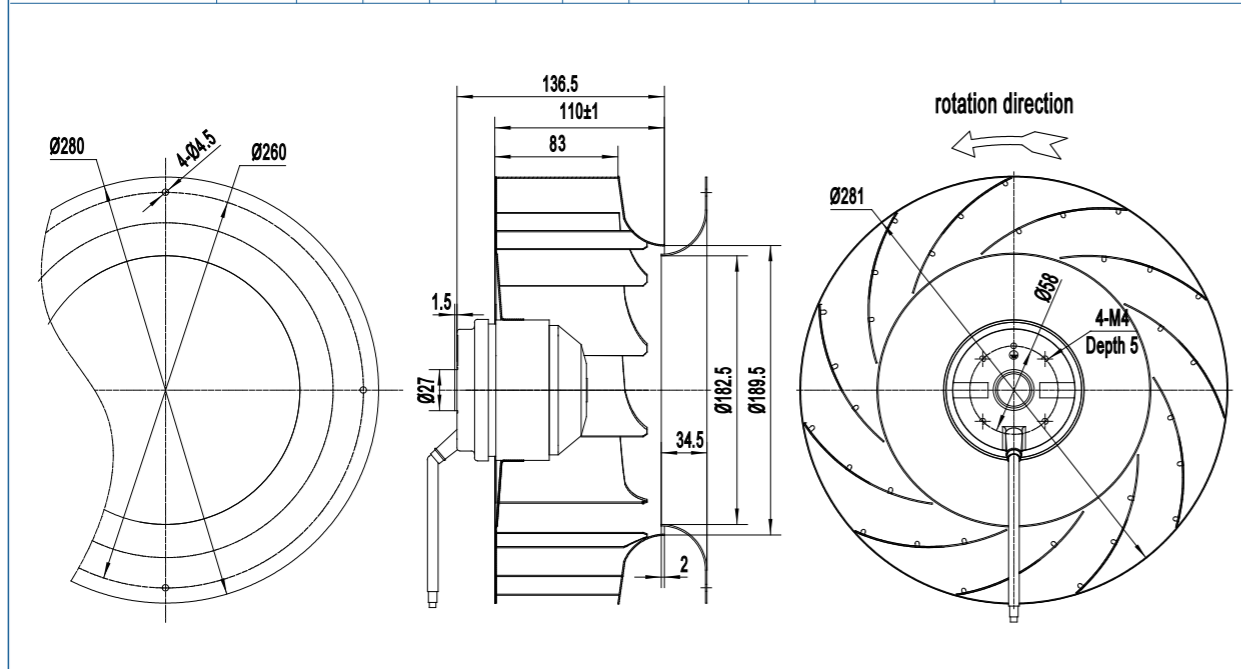
Type	Voltage	Frequency	Current	Input Power	Speed	Capacitor	Air Flow	Noise	Temperature	Curve No.	Approvals
Type	V	Hz	A	W	rpm	μF	m³/h / CFM	dB(A)	Min / Max(°C)	#	Approvals
B2E280-071A-AG00	220/230	50	1.1	230	2450	6	1650 / 970	79	-30 / +60	①	CCC ,CE,RoHS
B2D280-071A-AG00	380/400	50	0.6	200	2500	/	1650 / 970	79	-30 / +60	①	CCC ,CE,RoHS



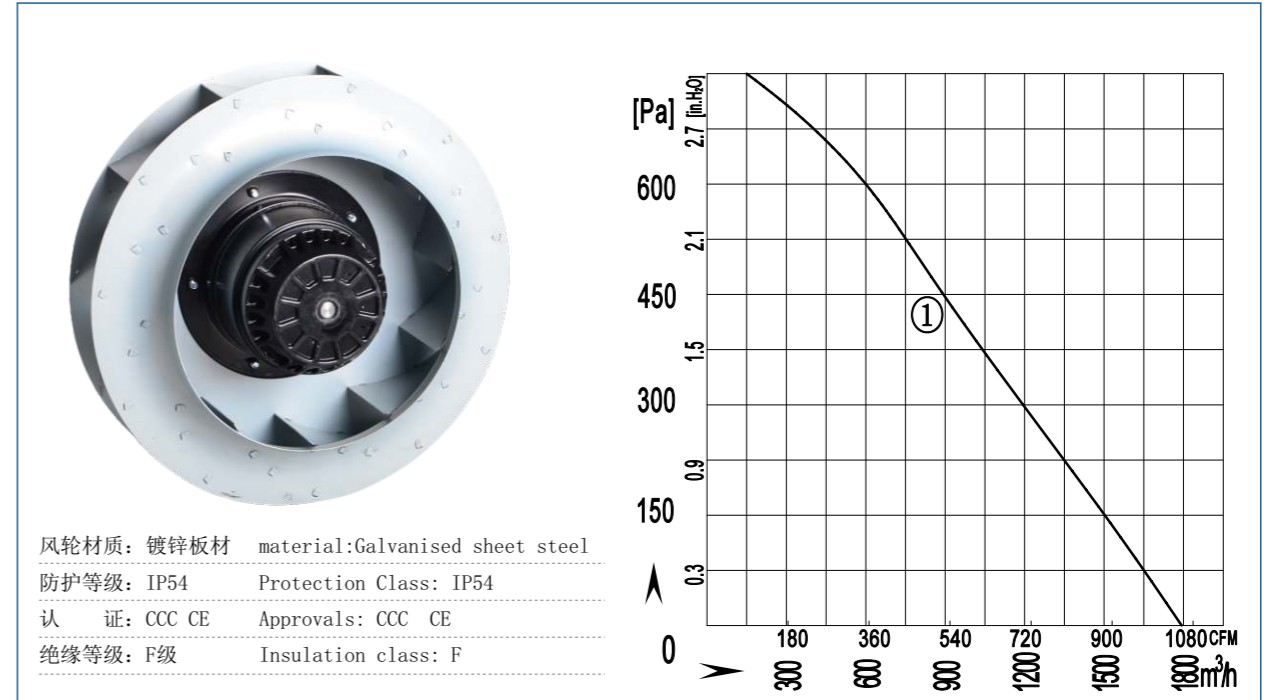
## B280-110 后倾离心风机 B280-110 Backward Centrifugal Fan



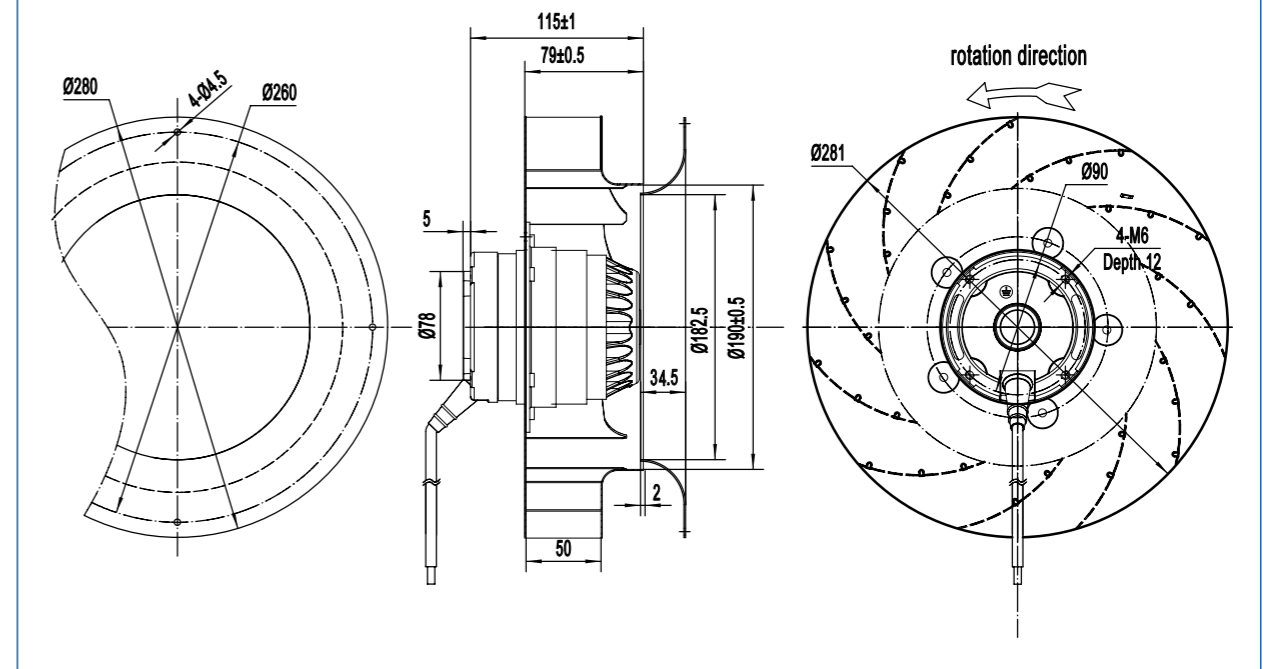
Type	Voltage	Frequency	Current	Input Power	Speed	Capacitor	Air Flow	Noise	Temperature	Curve No.	Approvals
	V	Hz	A	W	rpm	μF	m³/h / CFM	dB(A)	Min / Max(°C)	#	
B4E280-110A-AEC0	220/230	50	0.38	80	1350	3	1230 / 723	63	-30 / +60	①	CCC ,CE,RoHS
	220/230	60	0.45	100	1500	3	1400 / 823	66	-30 / +60	②	CCC ,CE,RoHS



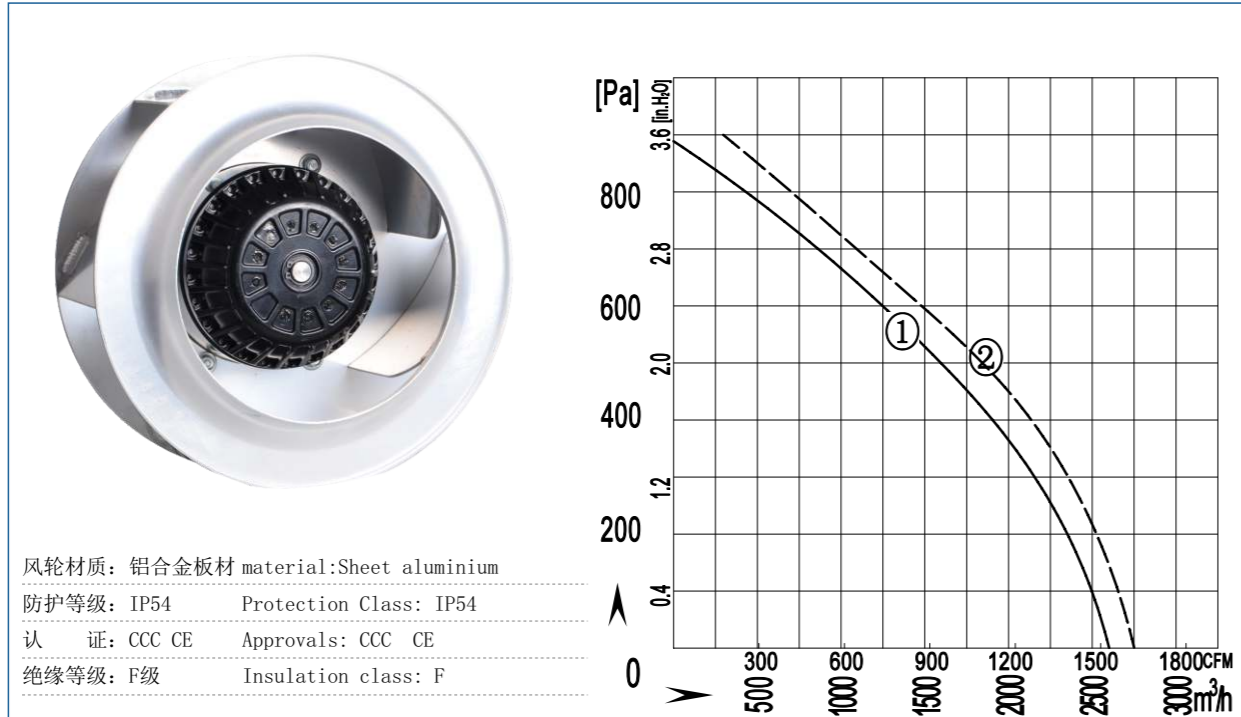
## B280-080M 后倾离心风机 B280-080M Backward Centrifugal Fan



Type	Voltage	Frequency	Current	Input Power	Speed	Capacitor	Air Flow	Noise	Temperature	Curve No.	Approvals
	V	Hz	A	W	rpm	μF	m³/h / CFM	dB(A)	Min / Max(°C)	#	
B2E280-080A-AM00	220/230	50	1.2	250	2650	7	1780 / 1046	80	-30 / +60	①	CCC ,CE,RoHS
B2D280-080A-AM00	380/400	50	0.7	250	2650	/	1780 / 1046	80	-30 / +60	①	CCC ,CE,RoHS

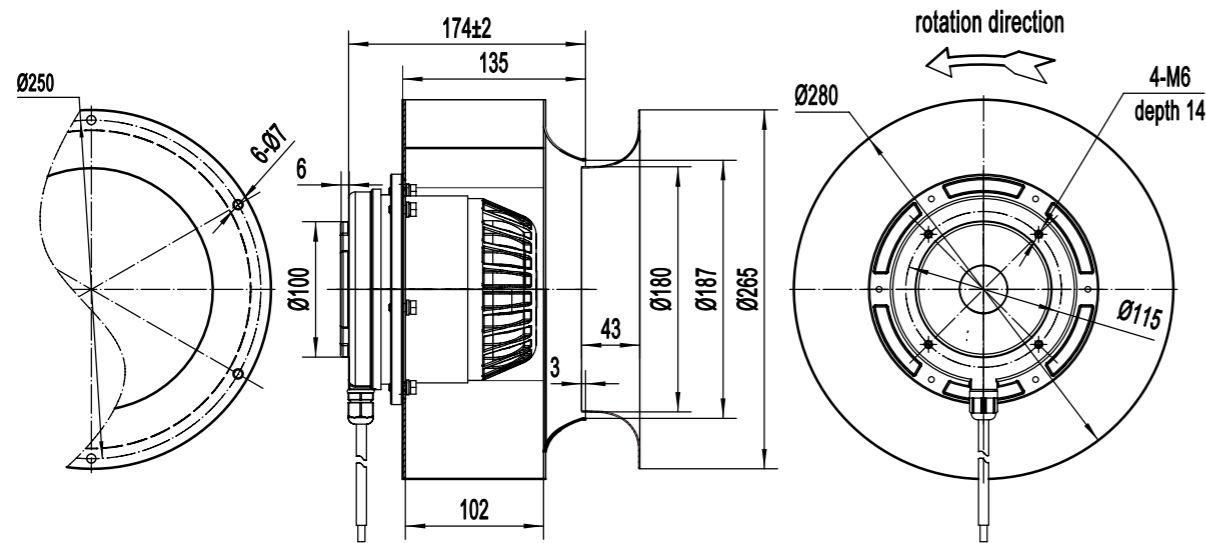


## B280-135 后倾离心风机 B280-135 Backward Centrifugal Fan

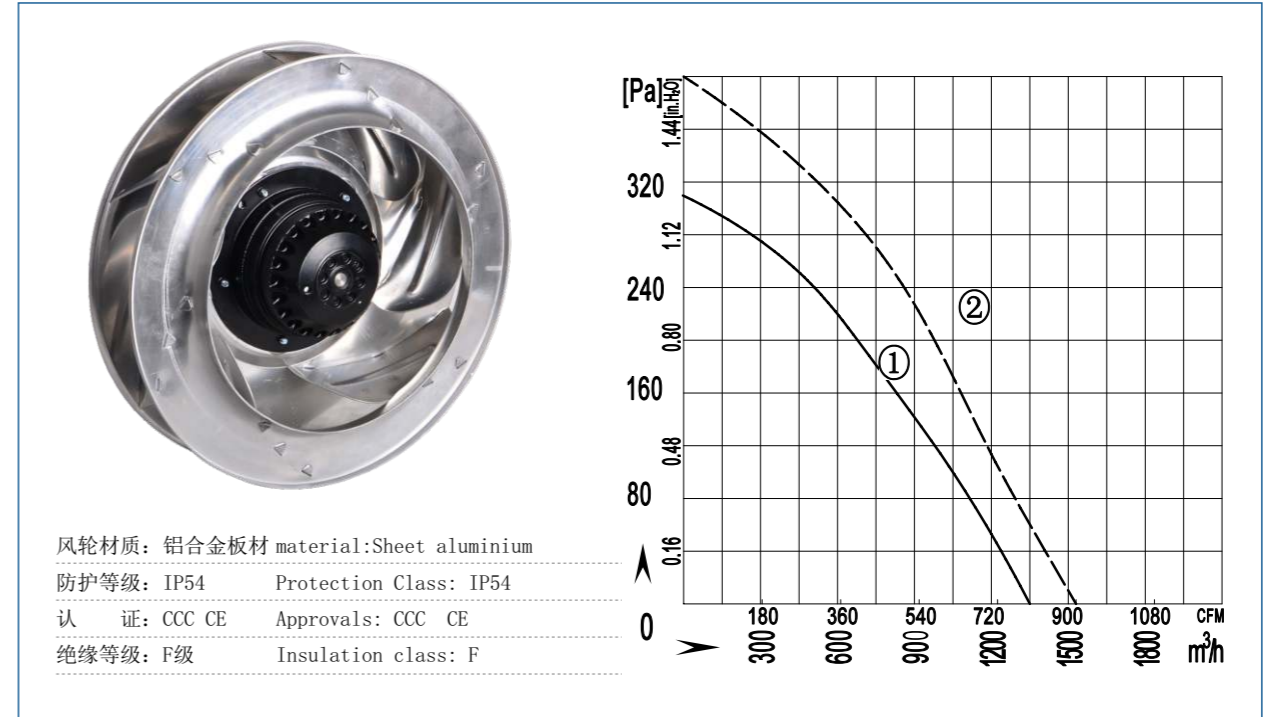


风轮材质: 铝合金板材 material: Sheet aluminium  
 防护等级: IP54 Protection Class: IP54  
 认证: CCC CE Approvals: CCC CE  
 绝缘等级: F级 Insulation class: F

Type	Voltage	Frequency	Current	Input Power	Speed	Capacitor	Air Flow	Noise	Temperature	Curve No.	Approvals
	V	Hz	A	W	rpm	μF	m³/h / CFM	dB(A)	Min / Max(°C)	#	
B2D280-135A-AS00	380/400	50	0.95	500	2750	/	2600/1529	78	-30 / +60	①	CCC ,CE,RoHS
	400	60	1.60	680	2900	/	2700/1588	80	-30 / +60	②	CCC ,CE,RoHS

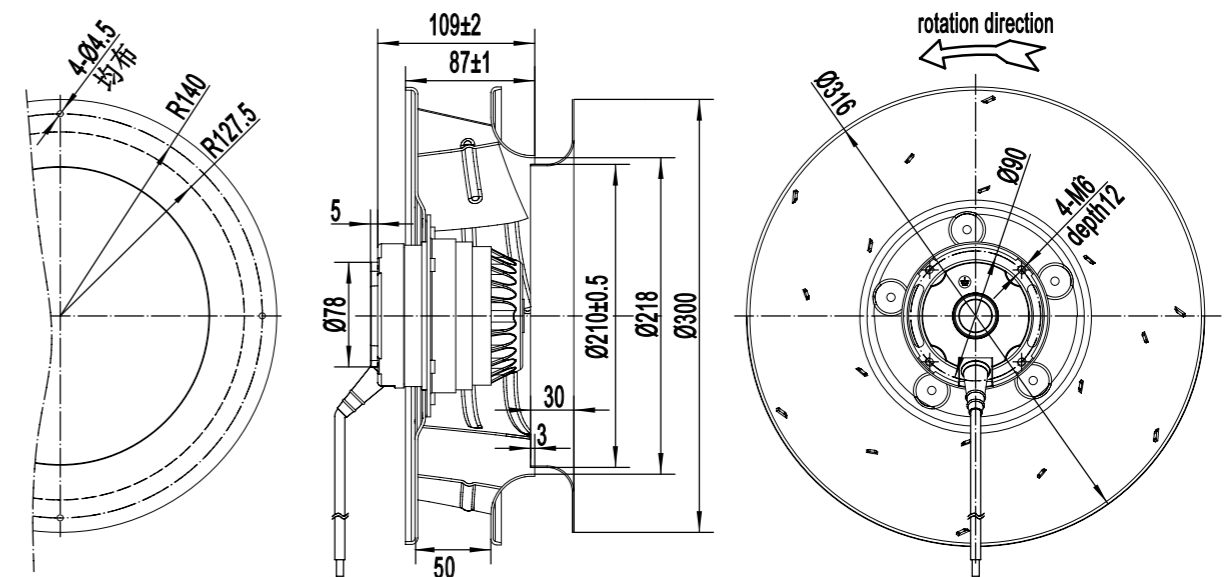


## B315-087 后倾离心风机 B315-087 Backward Centrifugal Fan

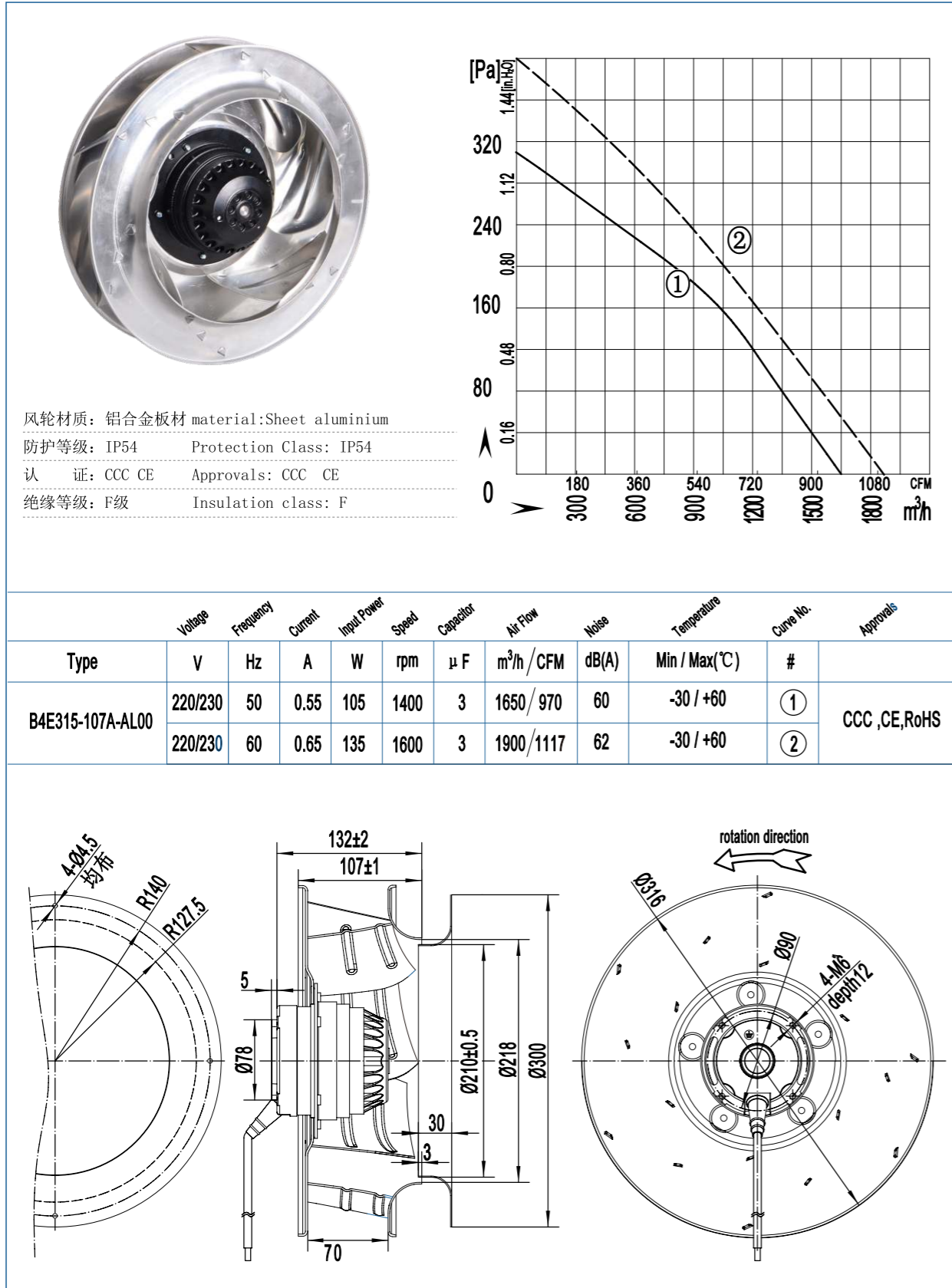


风轮材质: 铝合金板材 material: Sheet aluminium  
 防护等级: IP54 Protection Class: IP54  
 认证: CCC CE Approvals: CCC CE  
 绝缘等级: F级 Insulation class: F

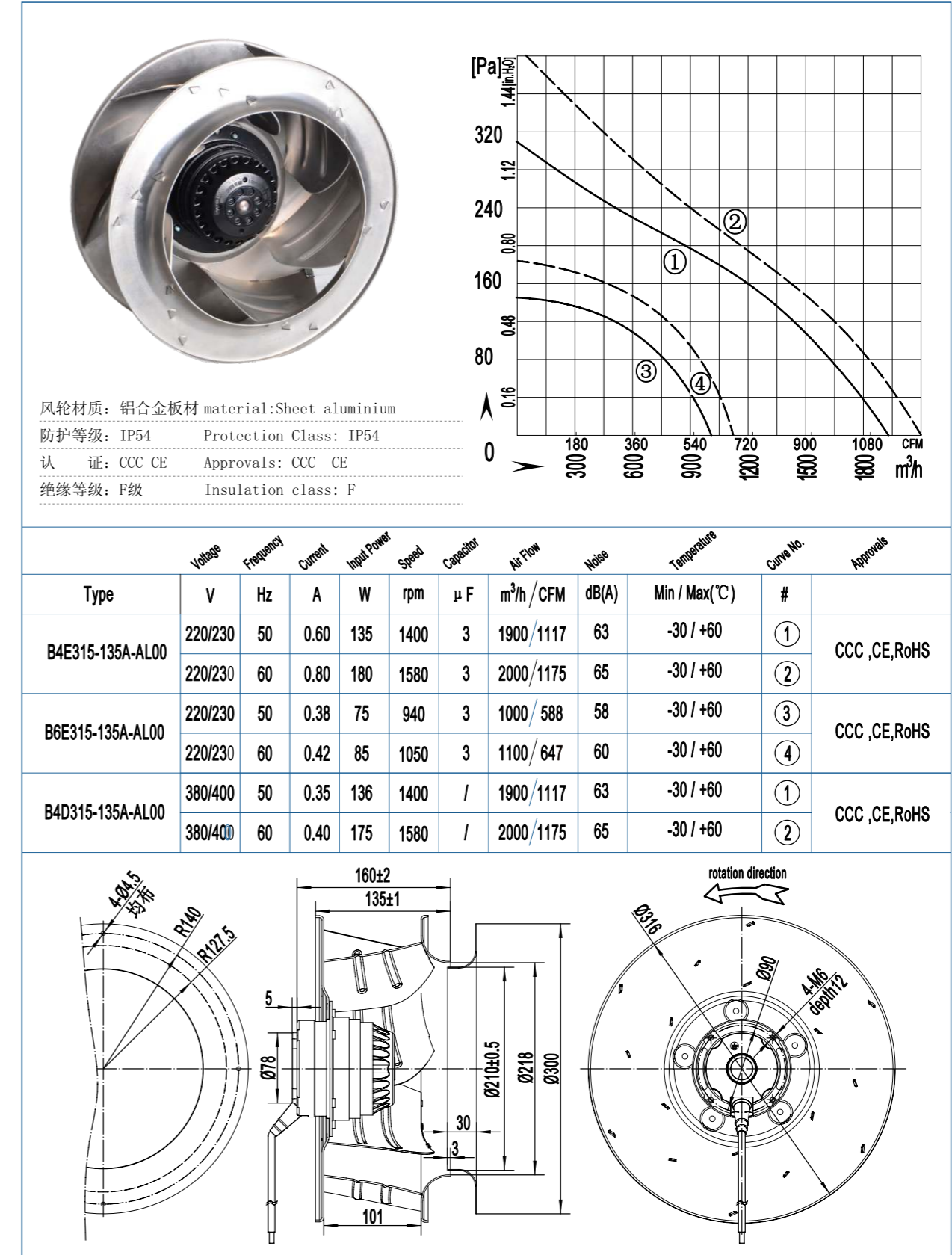
Type	Voltage	Frequency	Current	Input Power	Speed	Capacitor	Air Flow	Noise	Temperature	Curve No.	Approvals
	V	Hz	A	W	rpm	μF	m³/h / CFM	dB(A)	Min / Max(°C)	#	
B4E315-087A-AL00	220/230	50	0.50	95	1400	3	1350 / 794	56	-30 / +60	①	CCC ,CE,RoHS
	220/230	60	0.60	115	1600	3	1500 / 882	58	-30 / +60	②	



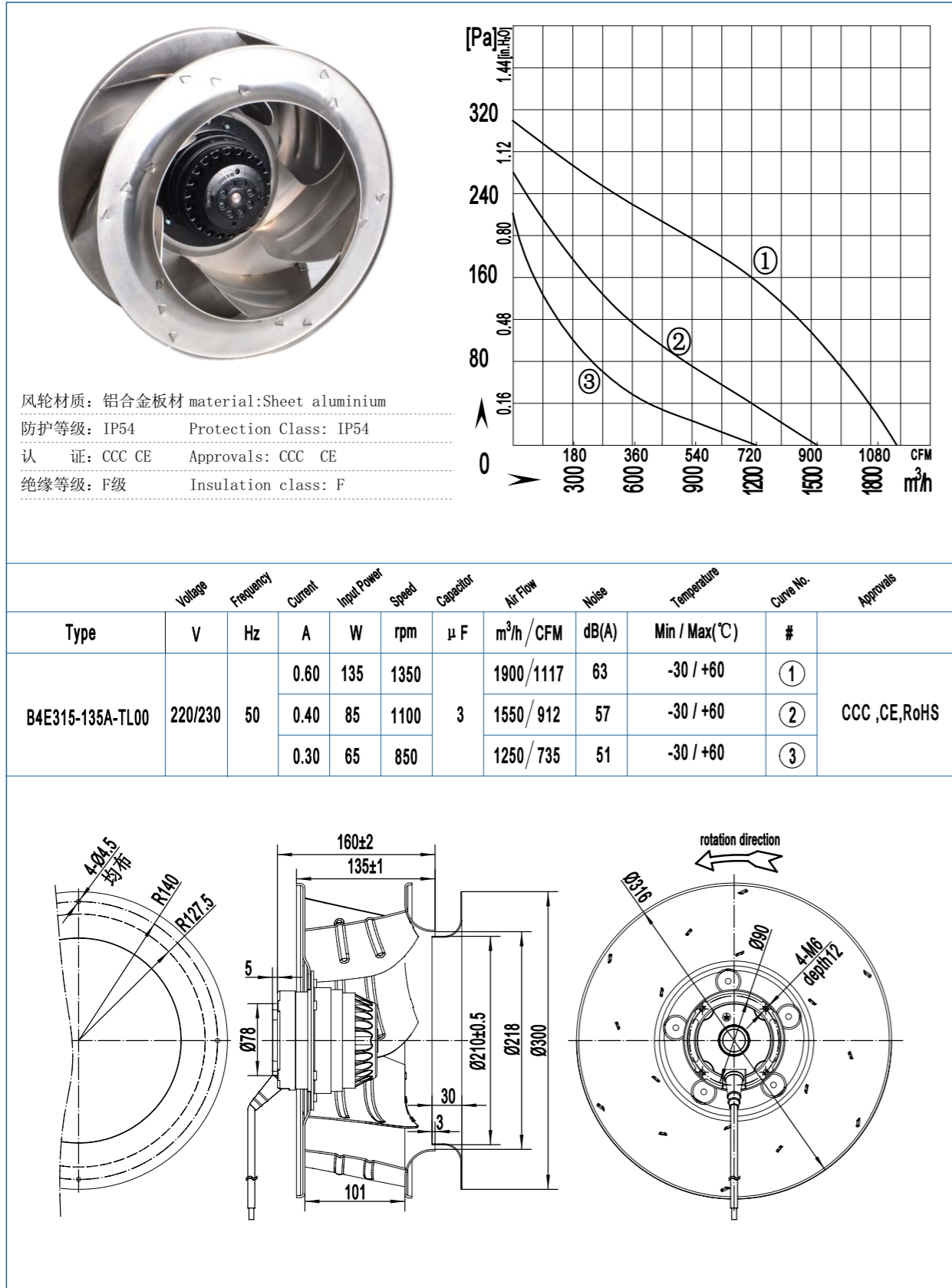
## B315-107 后倾离心风机 B315-107 Backward Centrifugal Fan



## B315-135 后倾离心风机 B315-135 Backward Centrifugal Fan



## B315-135-T 后倾离心风机 B315-135-T Backward Centrifugal Fan



## B315-118 后倾离心风机 B315-118 Backward Centrifugal Fan

