
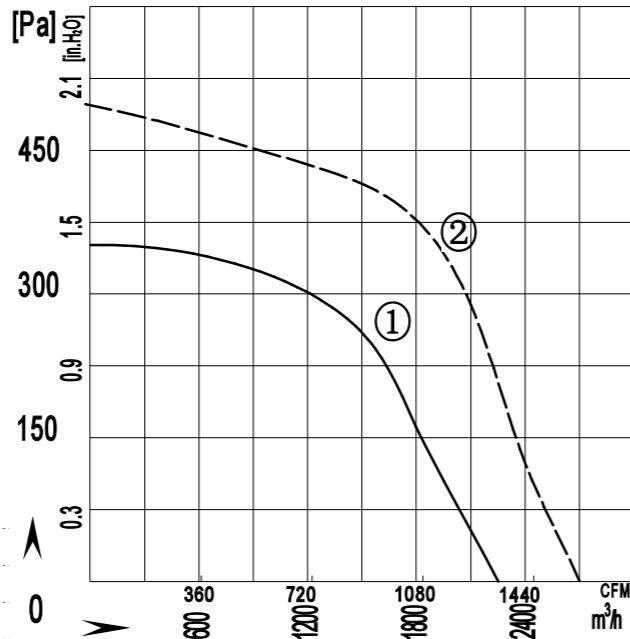


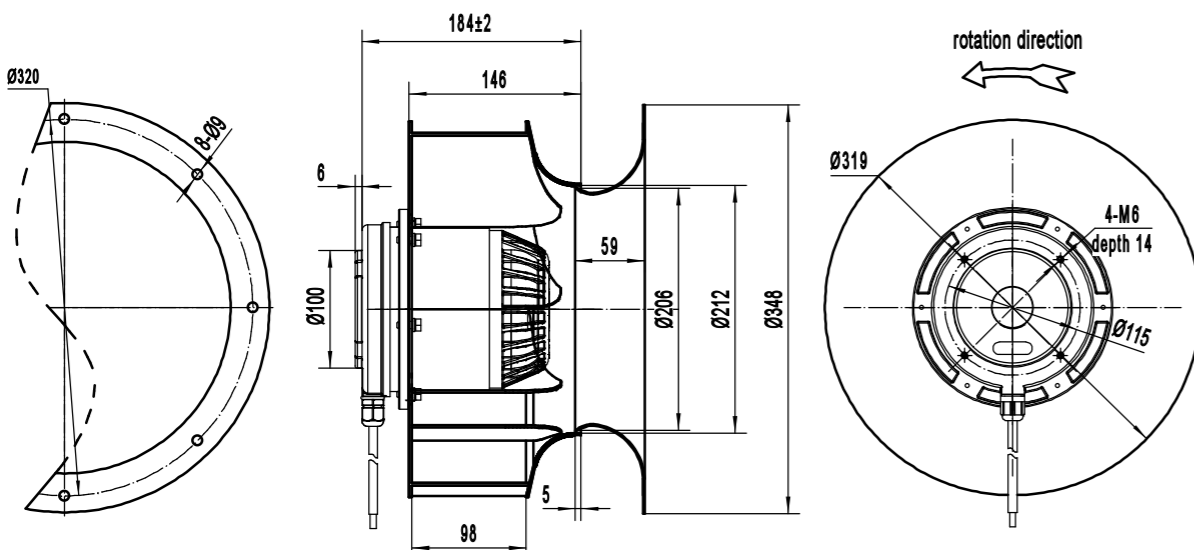
B315-146 后倾离心风机 B315-146 Backward Centrifugal Fan




风轮材质: 铝合金板材 material: Sheet aluminium
 防护等级: IP54 Protection Class: IP54
 认证: CCC CE Approvals: CCC CE
 绝缘等级: F级 Insulation class: F



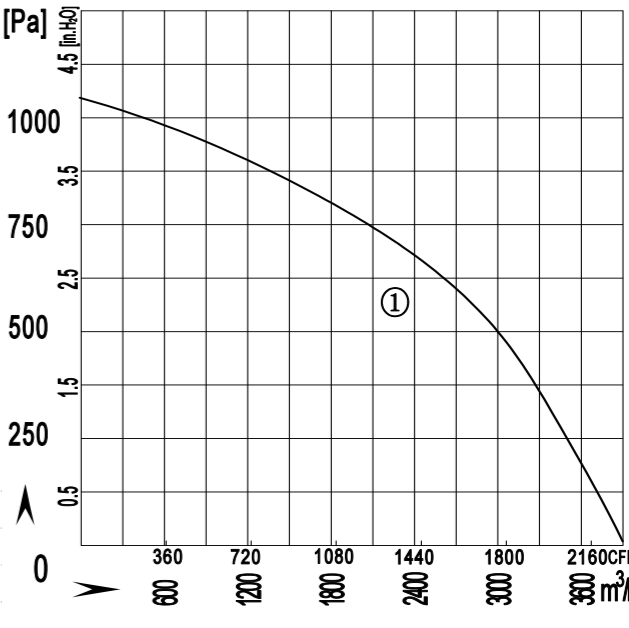
Type	Voltage	Frequency	Current	Input Power	Speed	Capacitor	Air Flow	Noise	Temperature	Curve No.	Approvals
	V	Hz	A	W	rpm	μF	m³/h / CFM	dB(A)	Min / Max(°C)	#	
B4D315-146A-AS00	380/400	50	1.0	220	1450	/	2250/1324	64	-30 / +60	①	CCC ,CE,RoHS
	380/400	60	0.85	340	1700	/	2700/1588	68	-30 / +60	②	



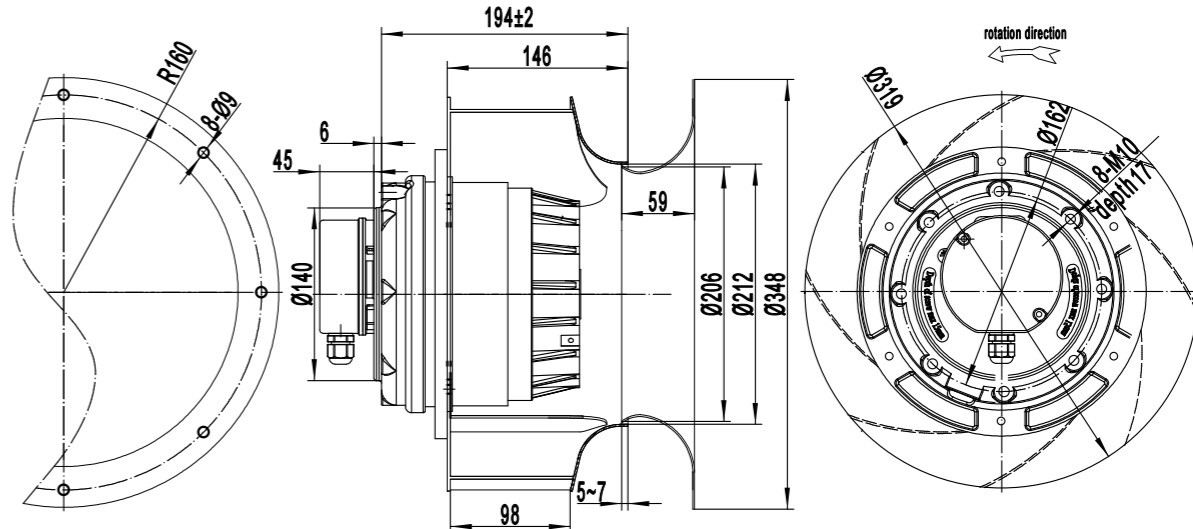
B315-146-V 后倾离心风机 B315-146-V Backward Centrifugal Fan



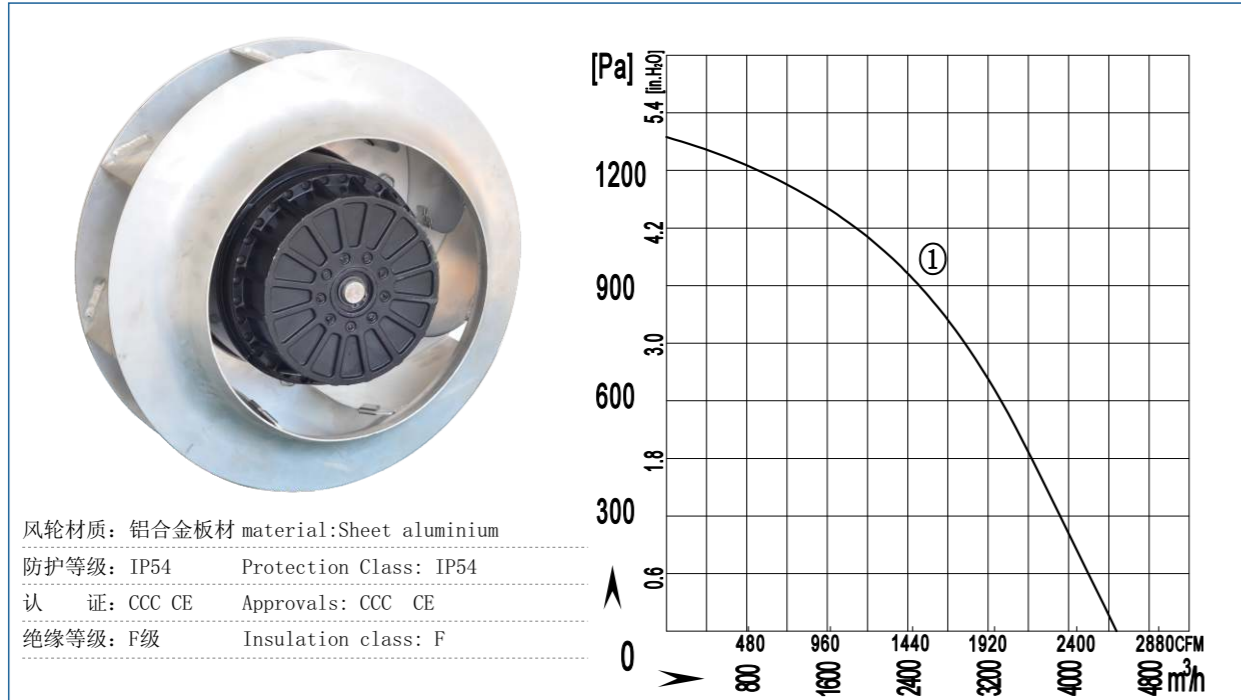
风轮材质: 铝合金板材 material: Sheet aluminium
 防护等级: IP54 Protection Class: IP54
 认证: CCC CE Approvals: CCC CE
 绝缘等级: F级 Insulation class: F



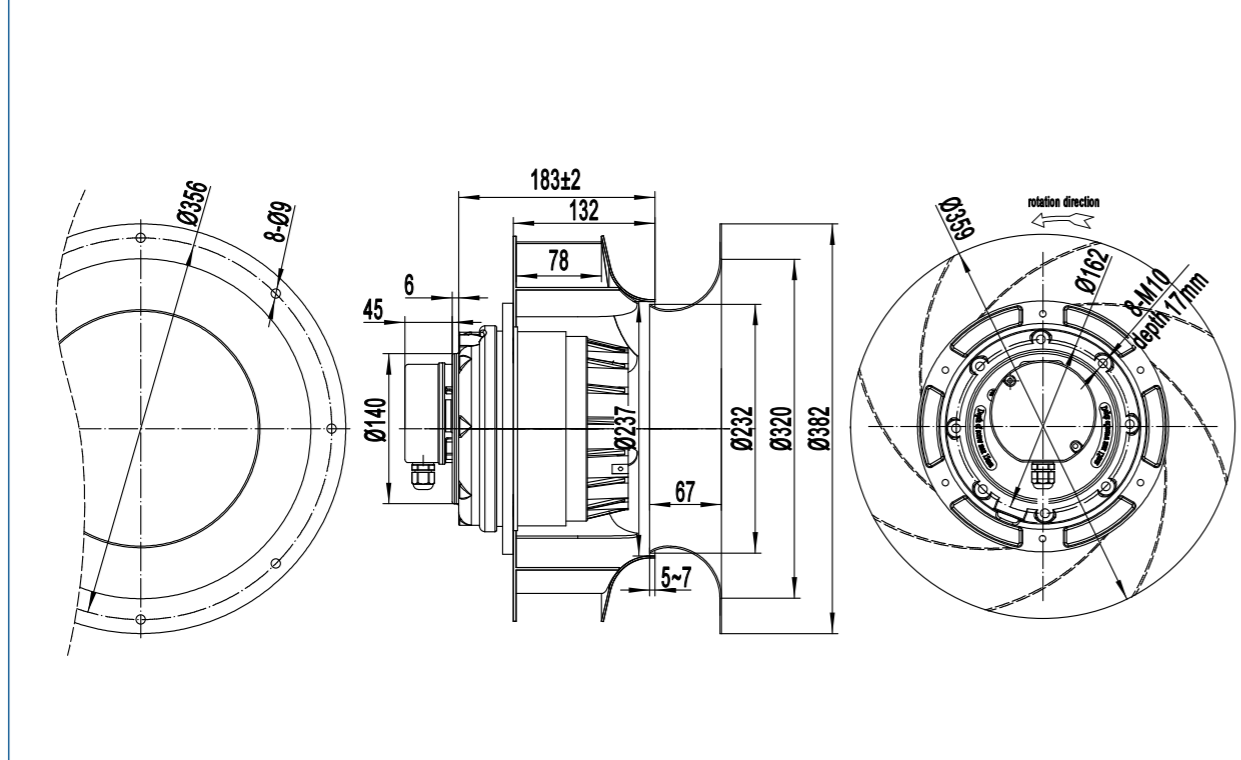
Type	Voltage	Frequency	Current	Input Power	Speed	Capacitor	Air Flow	Noise	Temperature	Curve No.	Approvals
	V	Hz	A	W	rpm	μF	m³/h / CFM	dB(A)	Min / Max(°C)	#	
B2D315-146A-AVM0	380/400	50	2.0	1300	2650	/	4000/2353	85	-30 / +60	①	CCC ,CE,RoHS



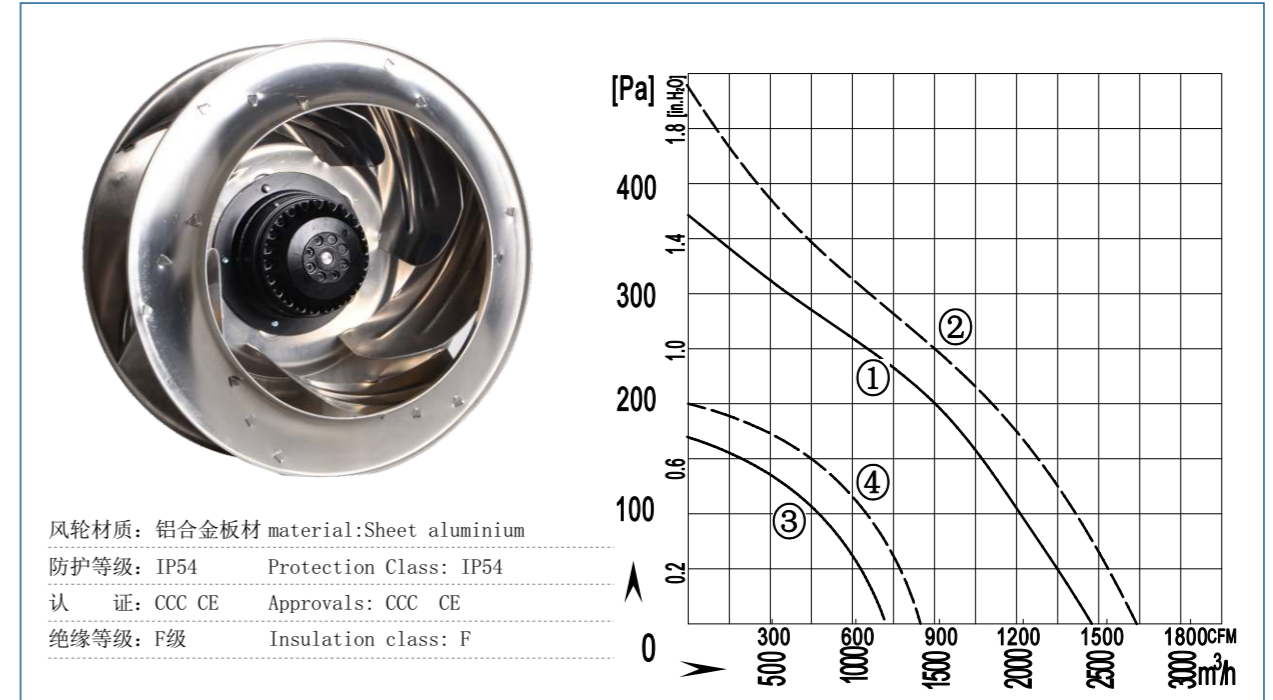
B355-132-V 后倾离心风机 B355-132-V Backward Centrifugal Fan



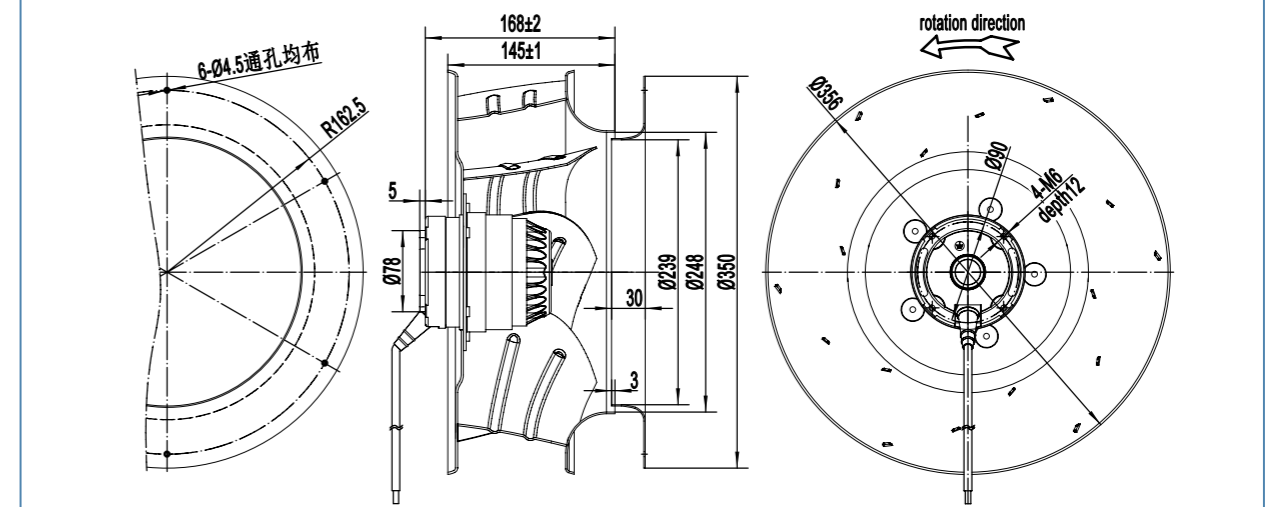
Type	Voltage	Frequency	Current	Input Power	Speed	Capacitor	Air Flow	Noise	Temperature	Curve No.	Approvals
	V	Hz	A	W	rpm	μF	m³/h / CFM	dB(A)	Min / Max(°C)	#	
B2D355-132A-AVM0	380/400	50	2.6	1600	2700	/	4500/2647	90	-30 / + 60	①	CCC ,CE,RoHS



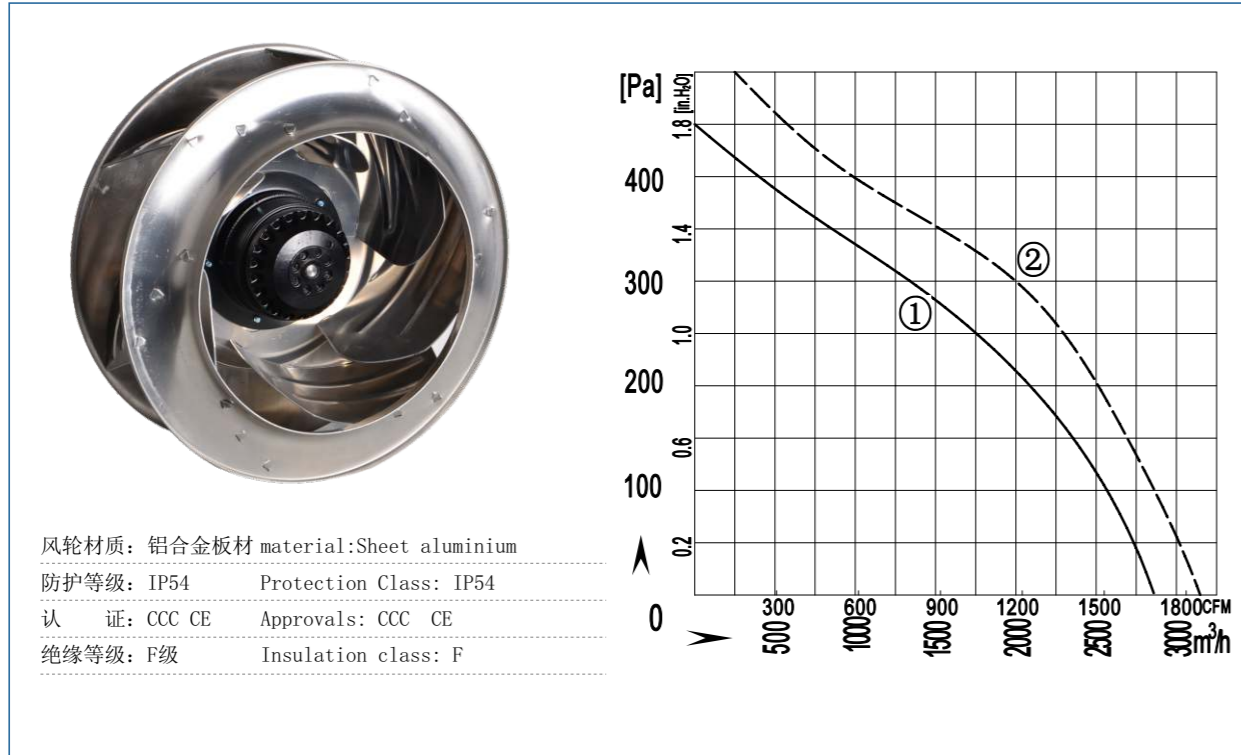
B355-145 后倾离心风机 B355-145 Backward Centrifugal Fan



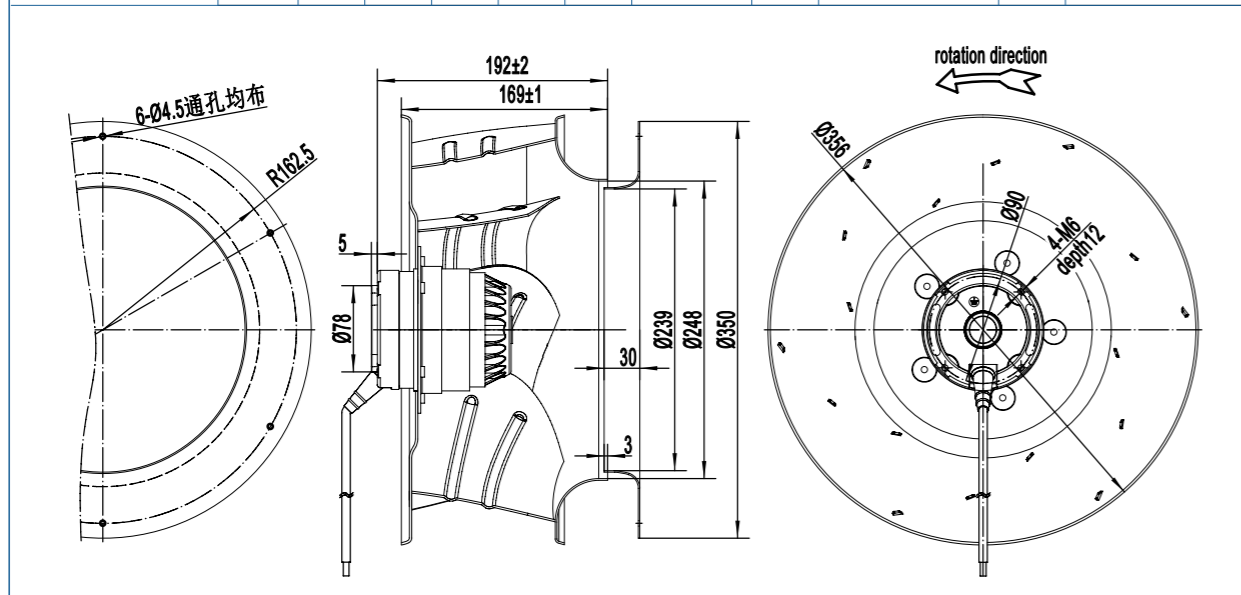
Type	Voltage	Frequency	Current	Input Power	Speed	Capacitor	Air Flow	Noise	Temperature	Curve No.	Approvals
	V	Hz	A	W	rpm	μF	m³/h / CFM	dB(A)	Min / Max(°C)	#	
B4E355-145A-AM00	220/230	50	0.75	165	1400	6	2450/1441	63	-30 / +60	①	CCC ,CE,RoHS
	220/230	60	1.2	245	1460	6	2580/1517	65	-30 / +60	②	
B6E355-145A-AM00	220/230	50	0.46	100	930	4	1220 / 717	60	-30 / +60	③	CCC ,CE,RoHS
	220/230	60	0.50	130	1080	4	1320 / 776	61	-30 / +60	④	
B4D355-145A-AM00	380/400	50	0.46	170	1400	/	2450/1441	63	-30 / +60	①	CCC ,CE,RoHS
	380/400	60	0.48	250	1500	/	2580/1517	65	-30 / +60	②	



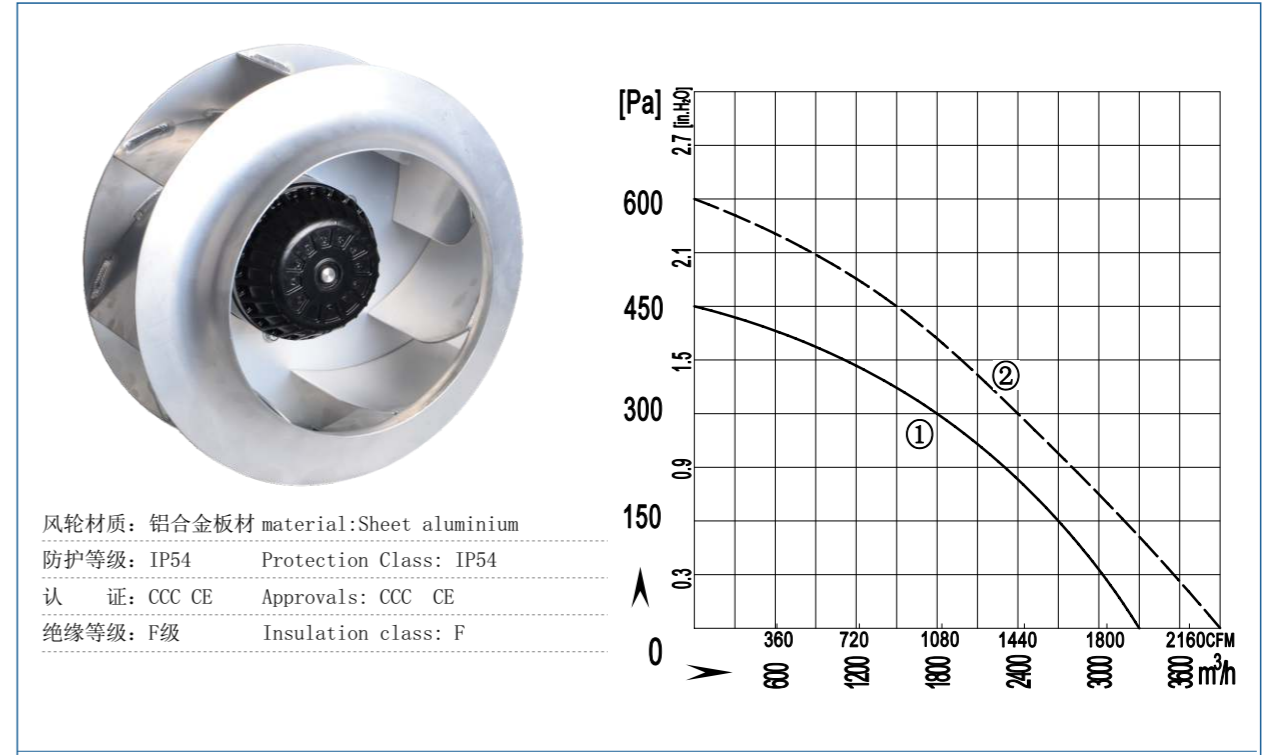
B355-169 后倾离心风机 B355-169 Backward Centrifugal Fan



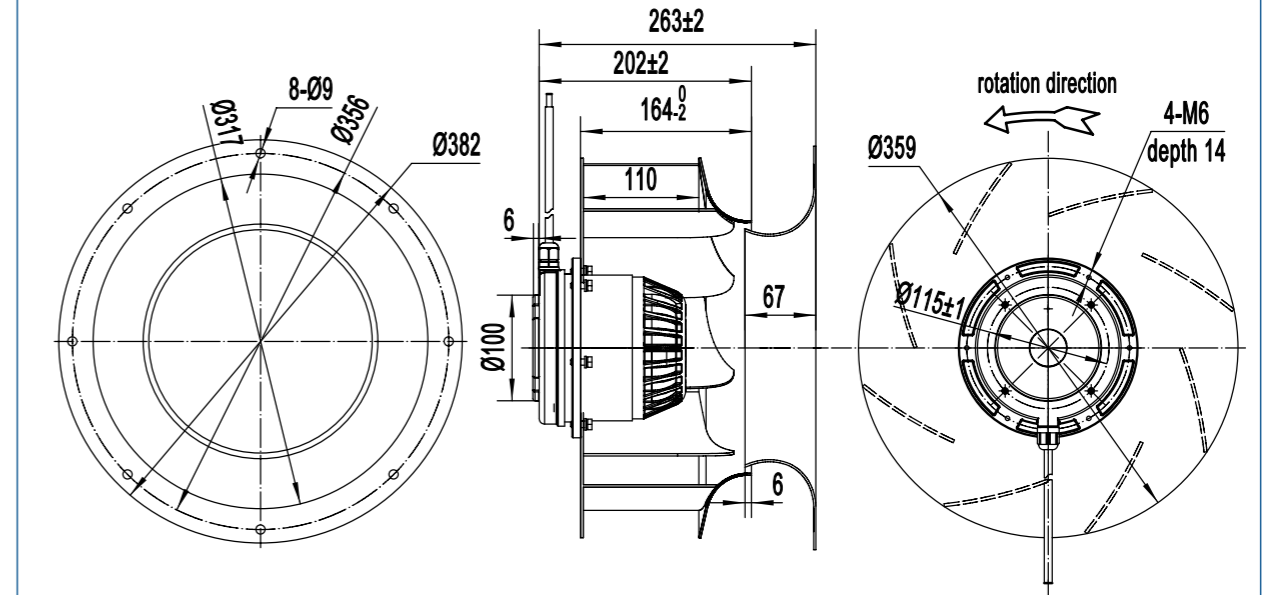
Type	Voltage	Frequency	Current	Input Power	Speed	Capacitor	Air Flow	Noise	Temperature	Curve No.	Approvals
Type	V	Hz	A	W	rpm	μF	m³/h / CFM	dB(A)	Min / Max(°C)	#	
B4E355-169A-AN00	220/230	50	1.00	210	1350	7	2800/1647	65	-30 / +60	①	CCC ,CE,RoHS
	220/230	60	1.35	280	1550	6	3100/1823	67	-30 / +60	②	
B4D355-169A-AN00	380/400	50	0.53	200	1380	/	2800/1647	65	-30 / +60	①	CCC ,CE,RoHS
	380/400	60	0.55	270	1600	/	3100/1823	67	-30 / +60	②	



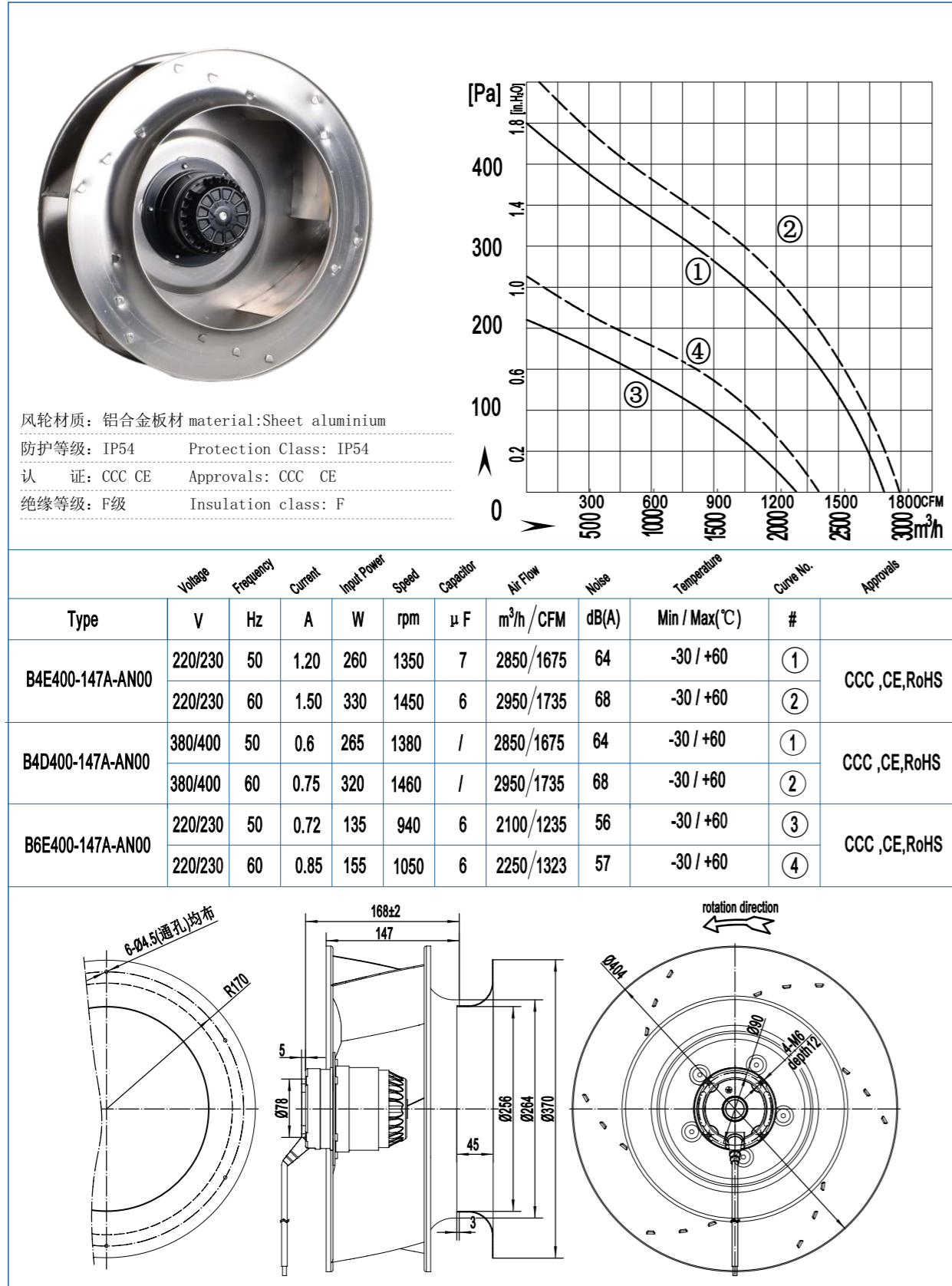
B355-164 后倾离心风机 B355-164 Backward Centrifugal Fan



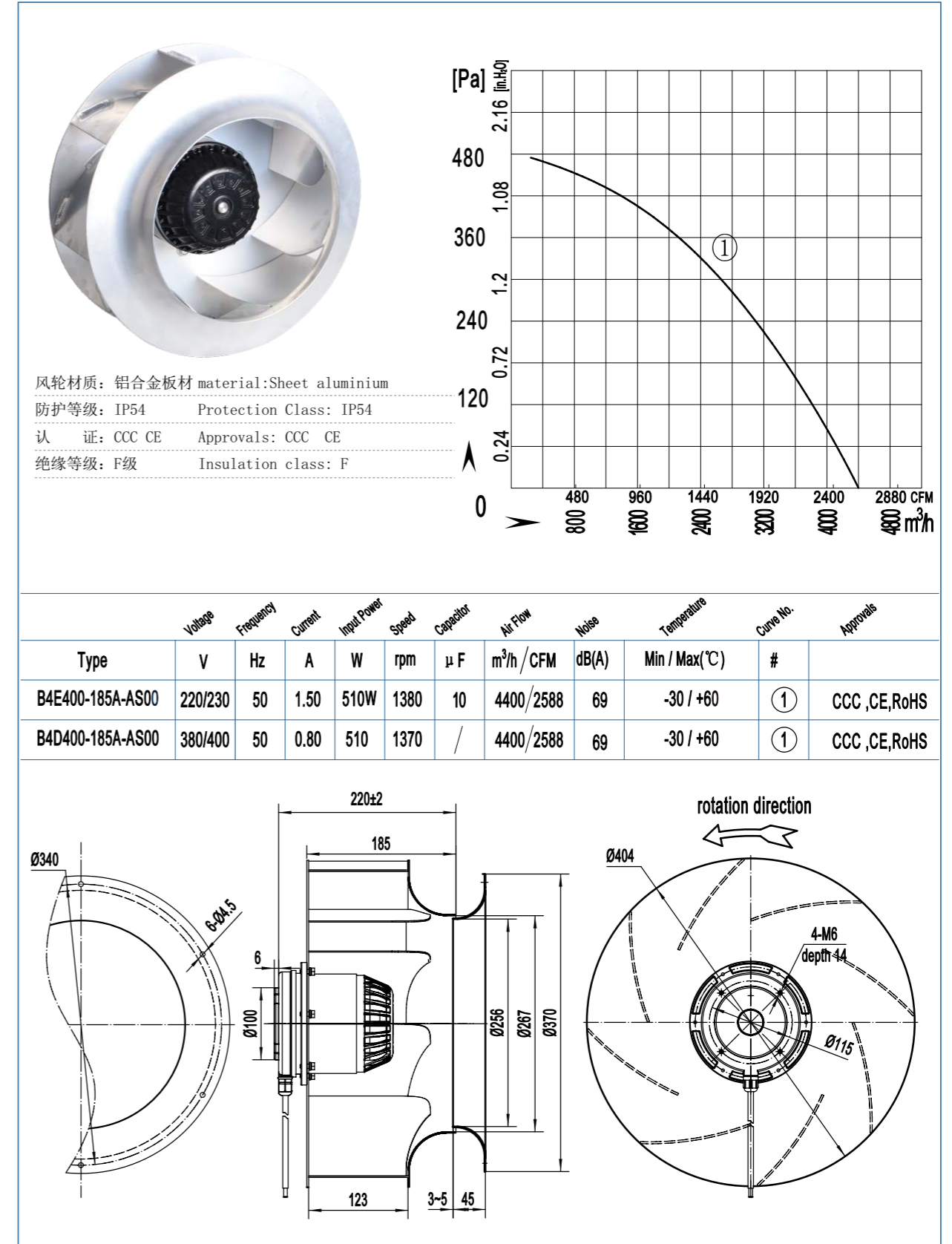
Type	Voltage	Frequency	Current	Input Power	Speed	Capacitor	Air Flow	Noise	Temperature	Curve No.	Approvals
Type	V	Hz	A	W	rpm	μF	m³/h / CFM	dB(A)	Min / Max(°C)	#	
B4D355-164A-AS00	380/400	50	1.0	360	1450	/	3300/1941	72	-30 / +60	①	CCC ,CE,RoHS
	380/400	60	1.1	550	1700	/	3900/2294	77	-30 / +60	②	
B4E355-164A-AS00	220/230	50	2.2	400	1400	12	3300/1941	72	-30 / +60	①	CCC ,CE,RoHS
	220/230	60	2.6	600	1700	12	3900/2294	77	-30 / +60	②	



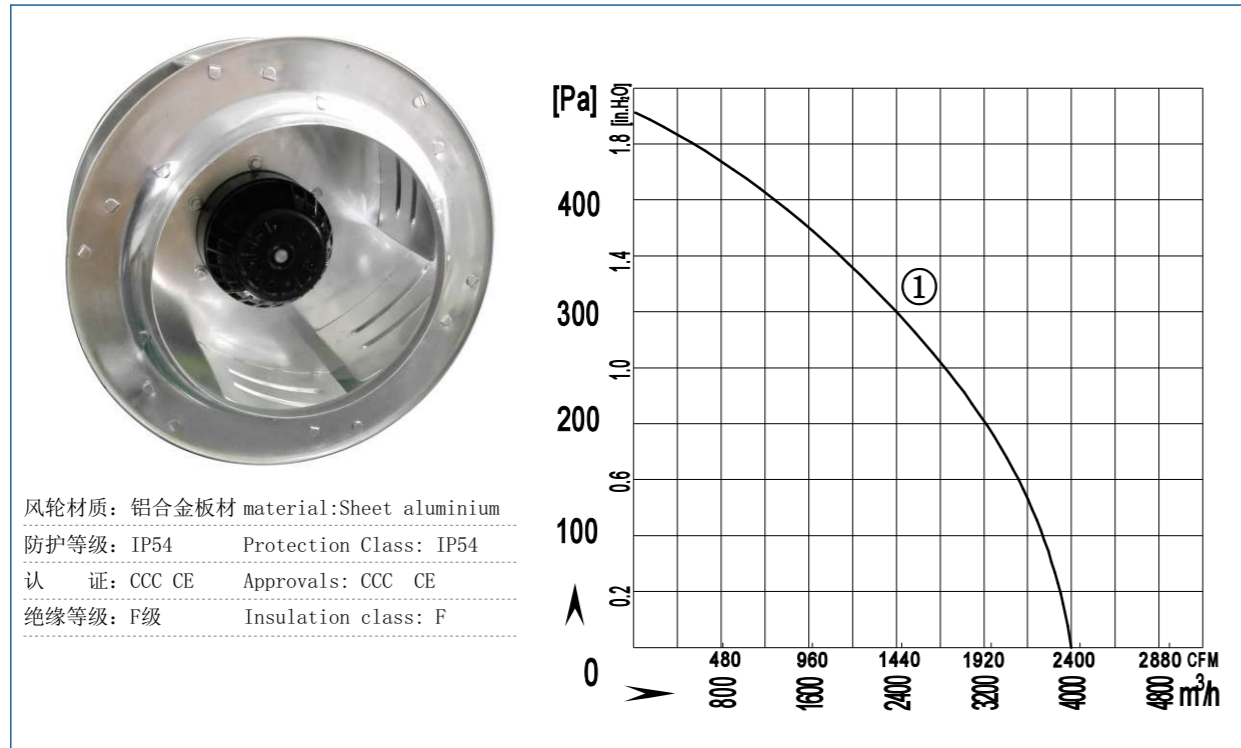
B400-147 后倾离心风机 B400-147 Backward Centrifugal Fan



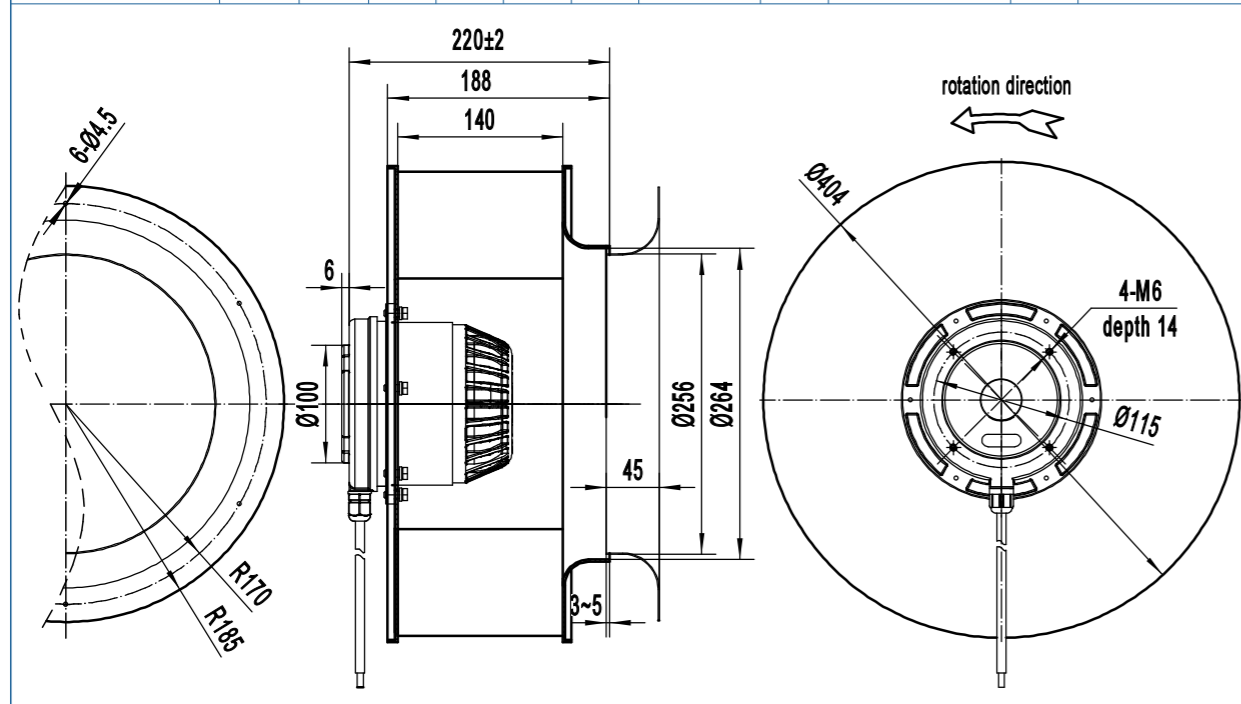
B400-185 后倾离心风机 B400-185 Backward Centrifugal Fan



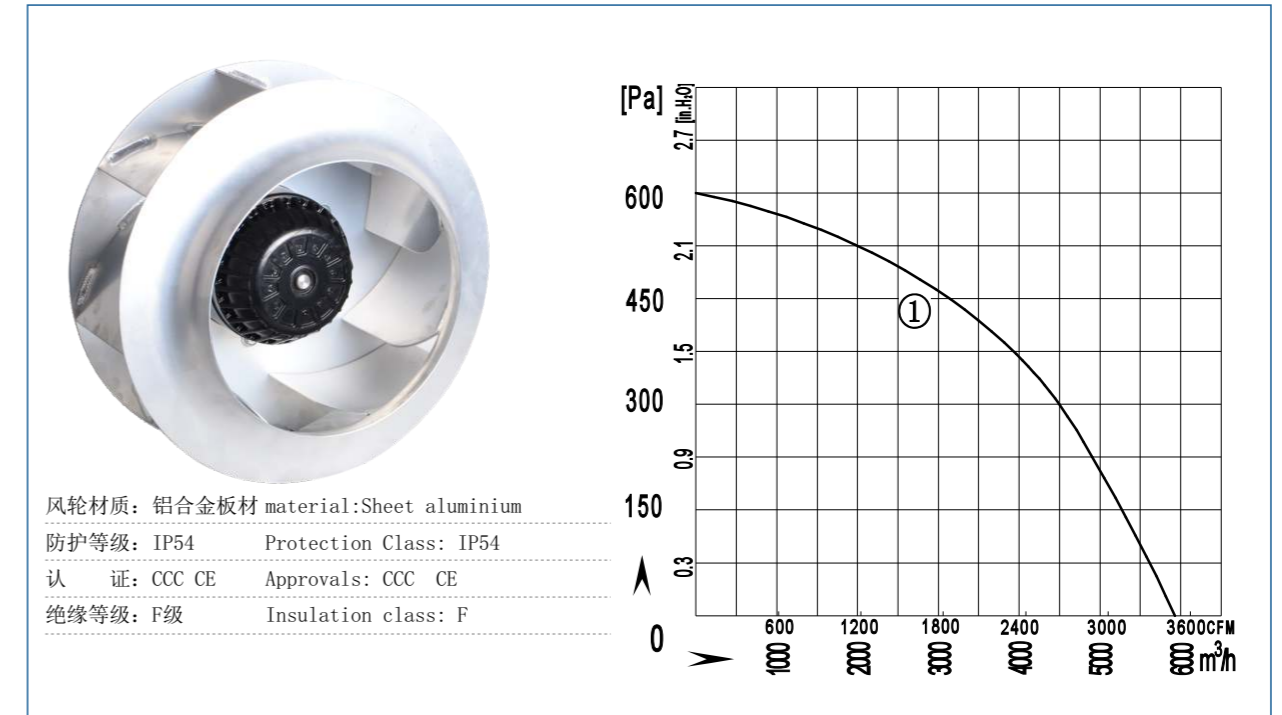
B400-188 后倾离心风机 B400-188 Backward Centrifugal Fan



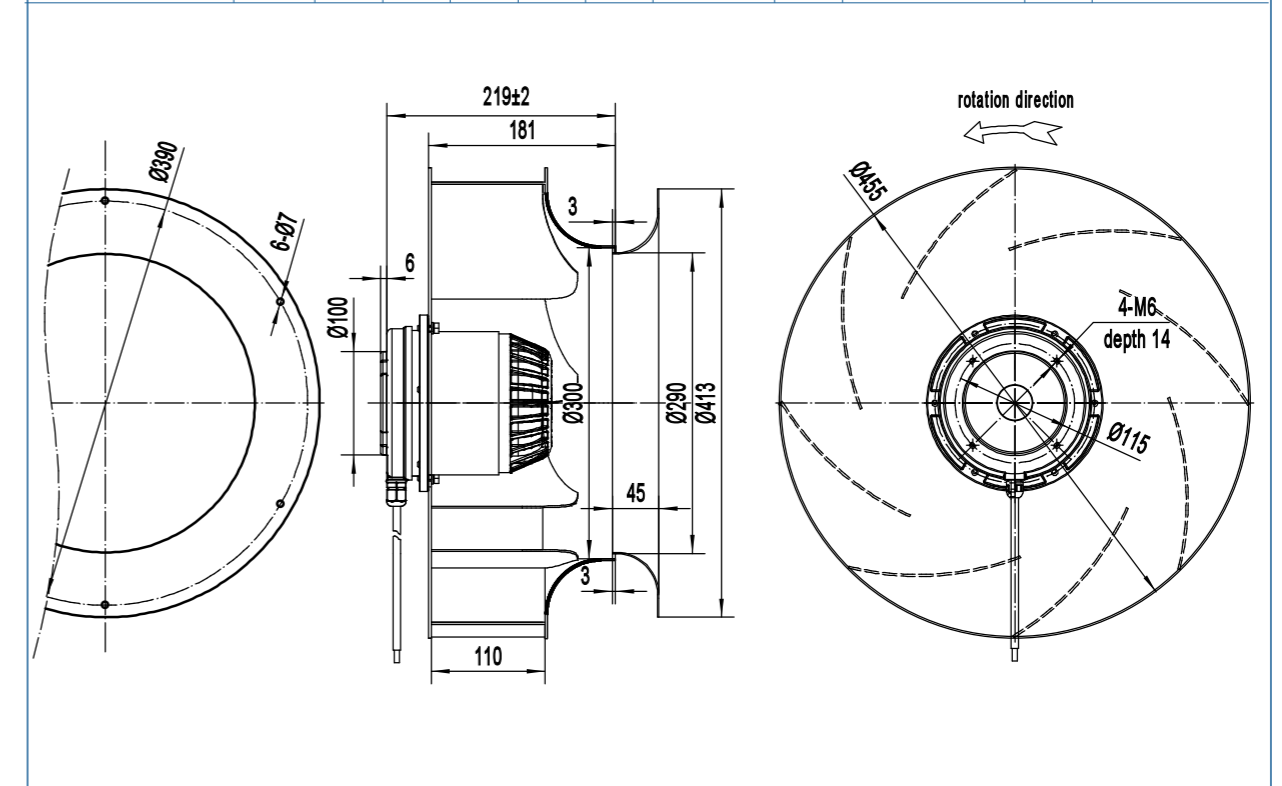
Type	Voltage	Frequency	Current	Input Power	Speed	Capacitor	Air Flow	Noise	Temperature	Curve No.	Approvals
Type	V	Hz	A	W	rpm	μF	m ³ /h / CFM	dB(A)	Min / Max(°C)	#	
B4E400-188A-AS00	220/230	50	1.50	430	1380	10	4000/2353	66	-30 / +60	①	CCC ,CE,RoHS
B4D400-188A-AS00	380/400	50	0.80	440	1380	/	4000/2353	66	-30 / +60	①	CCC ,CE,RoHS



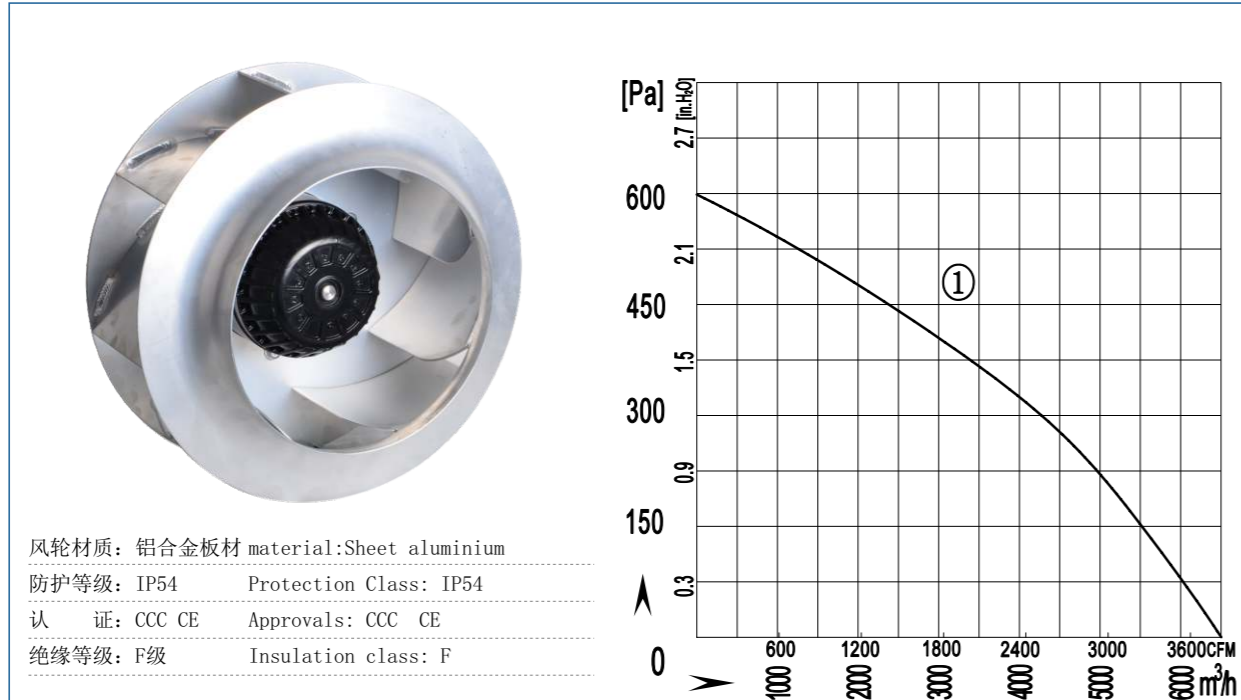
B450-181 后倾离心风机 B450-181 Backward Centrifugal Fan



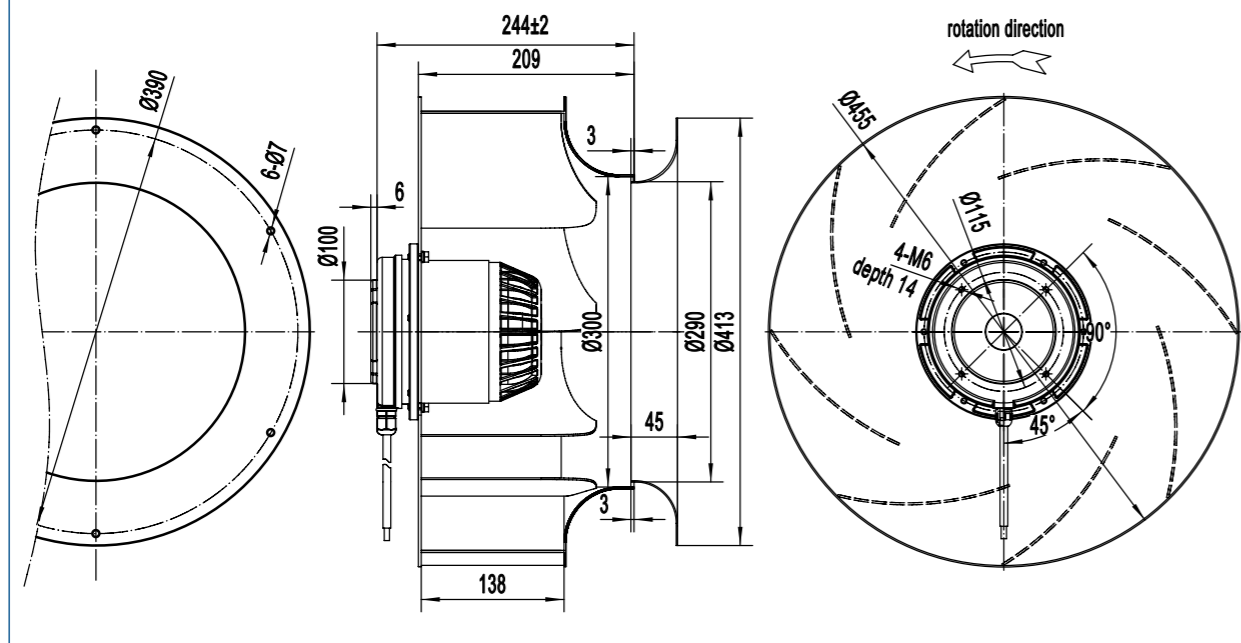
Type	Voltage	Frequency	Current	Input Power	Speed	Capacitor	Air Flow	Noise	Temperature	Curve No.	Approvals
Type	V	Hz	A	W	rpm	μF	m ³ /h / CFM	dB(A)	Min / Max(°C)	#	
B4D450-181A-AT00	380/400	50	1.5	800	1350	/	5900/3700	76	-30 / +60	①	CCC ,CE,RoHS



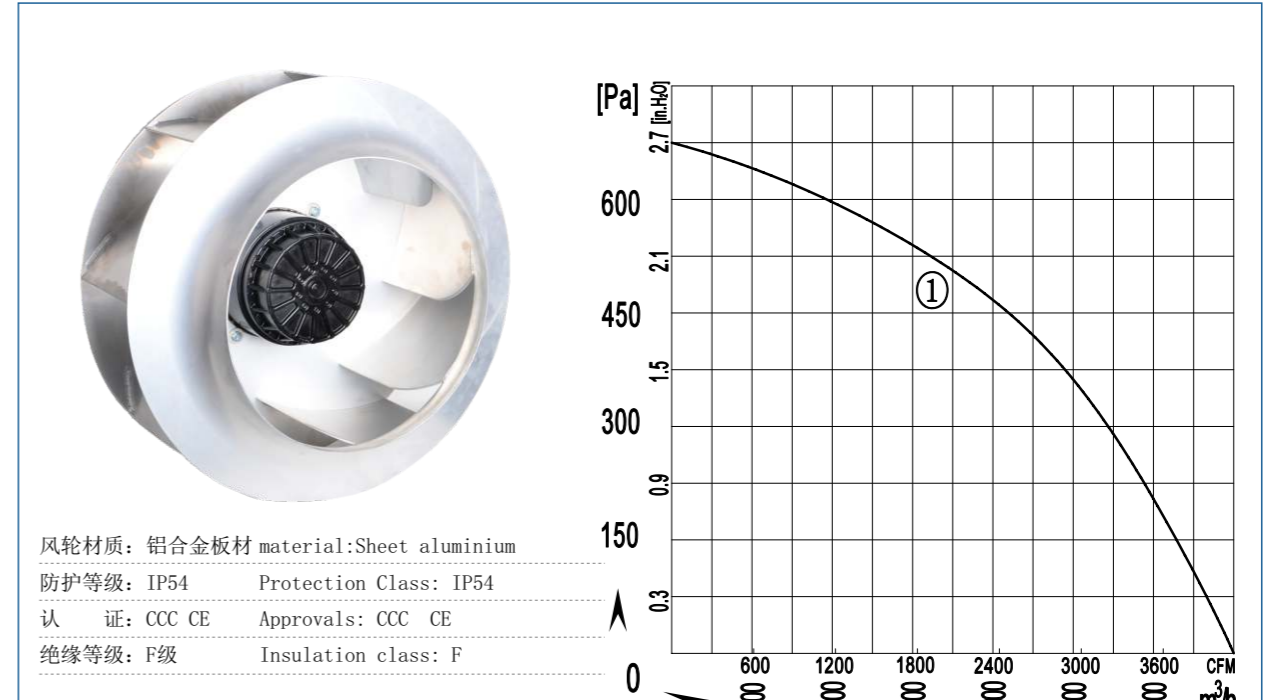
B450-209 后倾离心风机 B450-209 Backward Centrifugal Fan



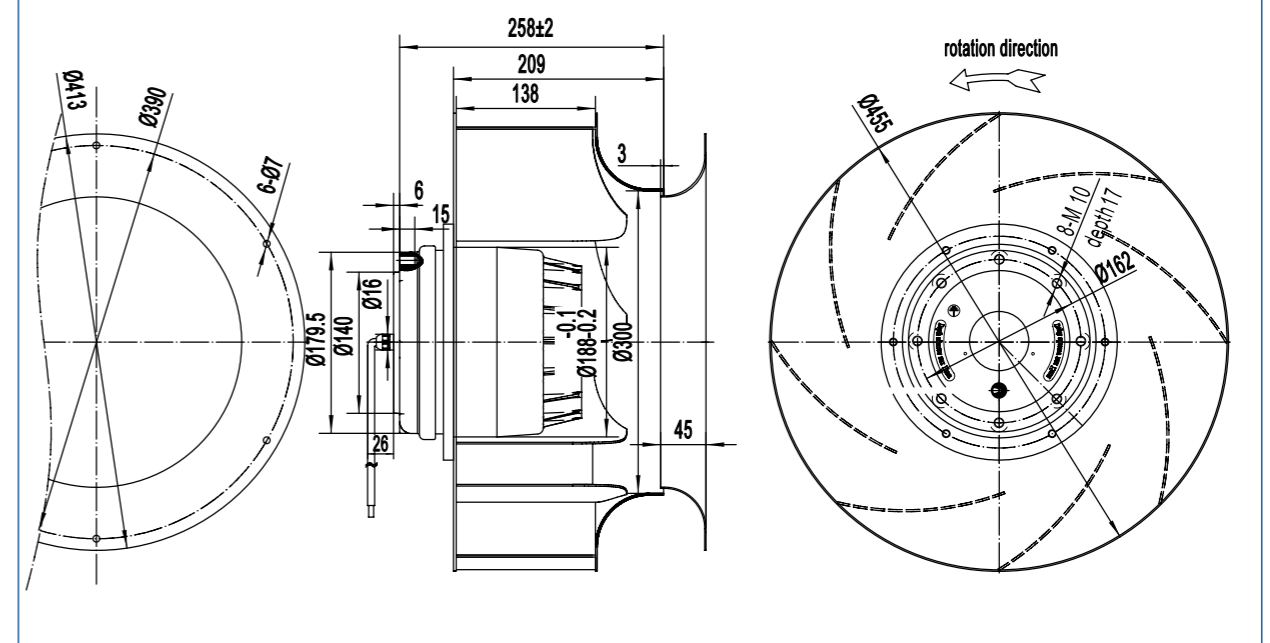
Type	Voltage	Frequency	Current	Input Power	Speed	Capacitor	Air Flow	Noise	Temperature	Curve No.	Approvals
	V	Hz	A	W	rpm	μ F	m³/h / CFM	dB(A)	Min / Max(°C)	#	
B4D450-209A-AT00	380/400	50	1.5	800	1350	/	6700/3941	79	-30 / +60	①	CCC ,CE,RoHS



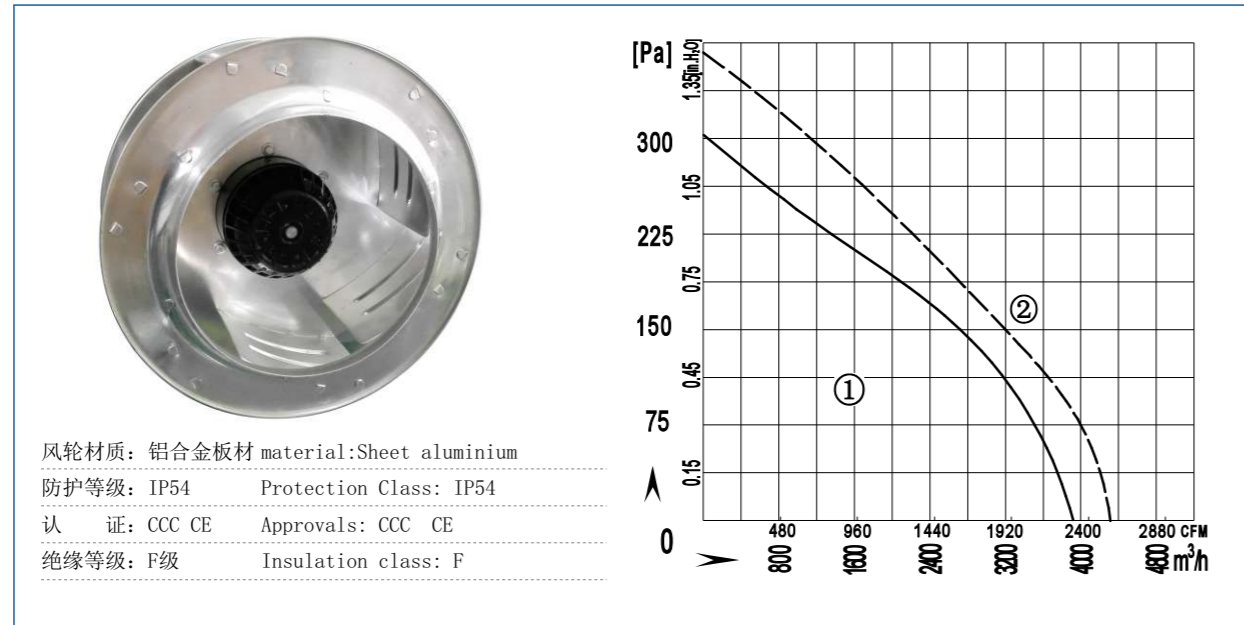
B450-209-V 后倾离心风机 B450-209-V Backward Centrifugal Fan



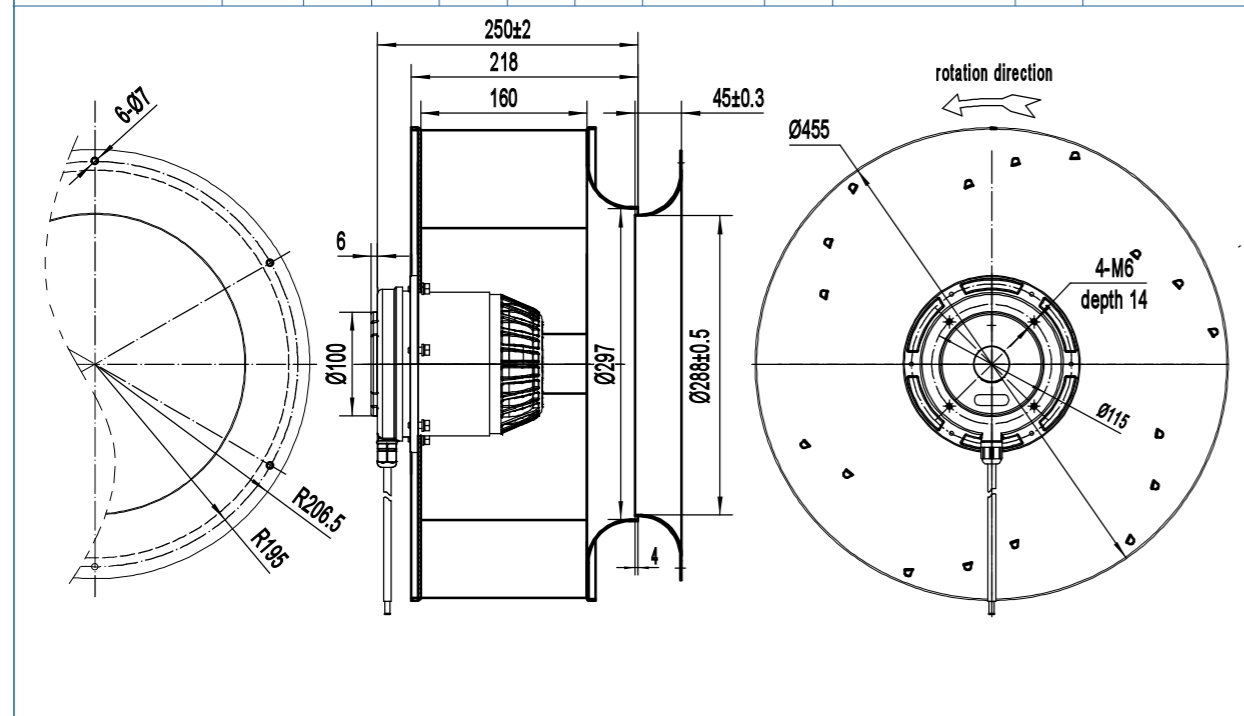
Type	Voltage	Frequency	Current	Input Power	Speed	Capacitor	Air Flow	Noise	Temperature	Curve No.	Approvals
	V	Hz	A	W	rpm	μ F	m³/h / CFM	dB(A)	Min / Max(°C)	#	
B4D450-209A-AV00	380/400	50	2.5	1100	1400	/	7000/4118	82	-40 / +80	①	CCC ,CE,RoHS



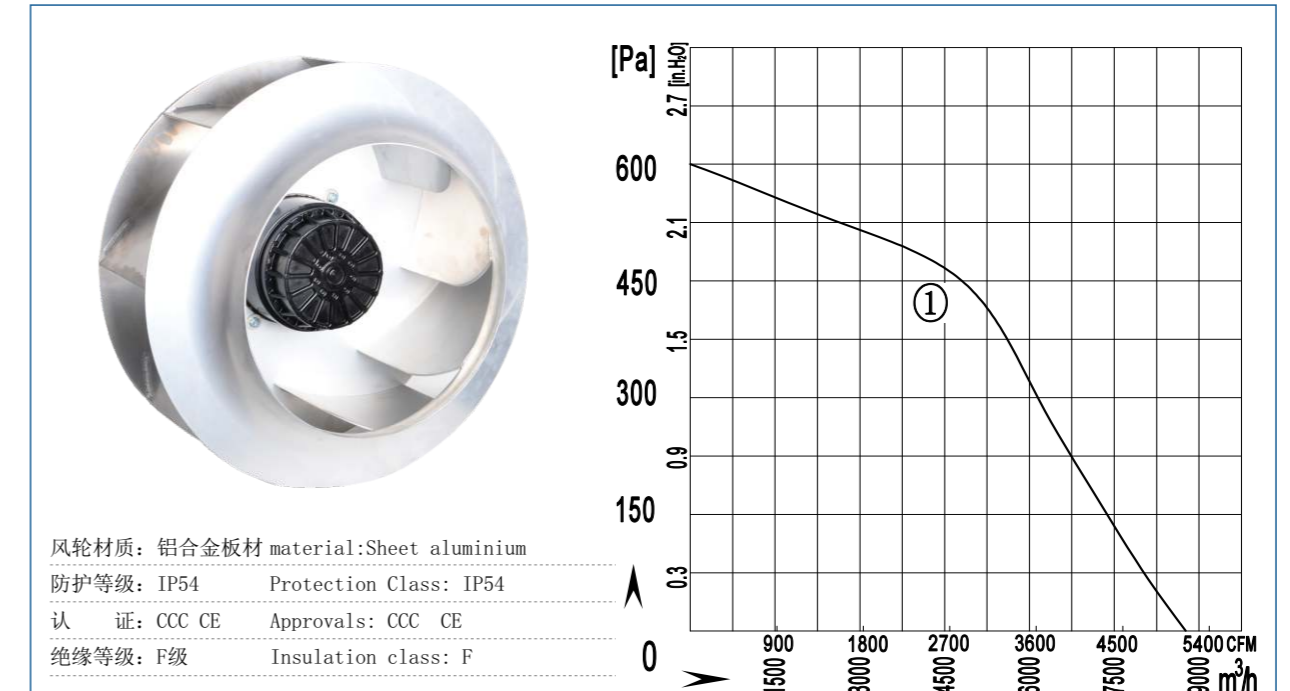
B450-218 后倾离心风机 B450-218 Backward Centrifugal Fan



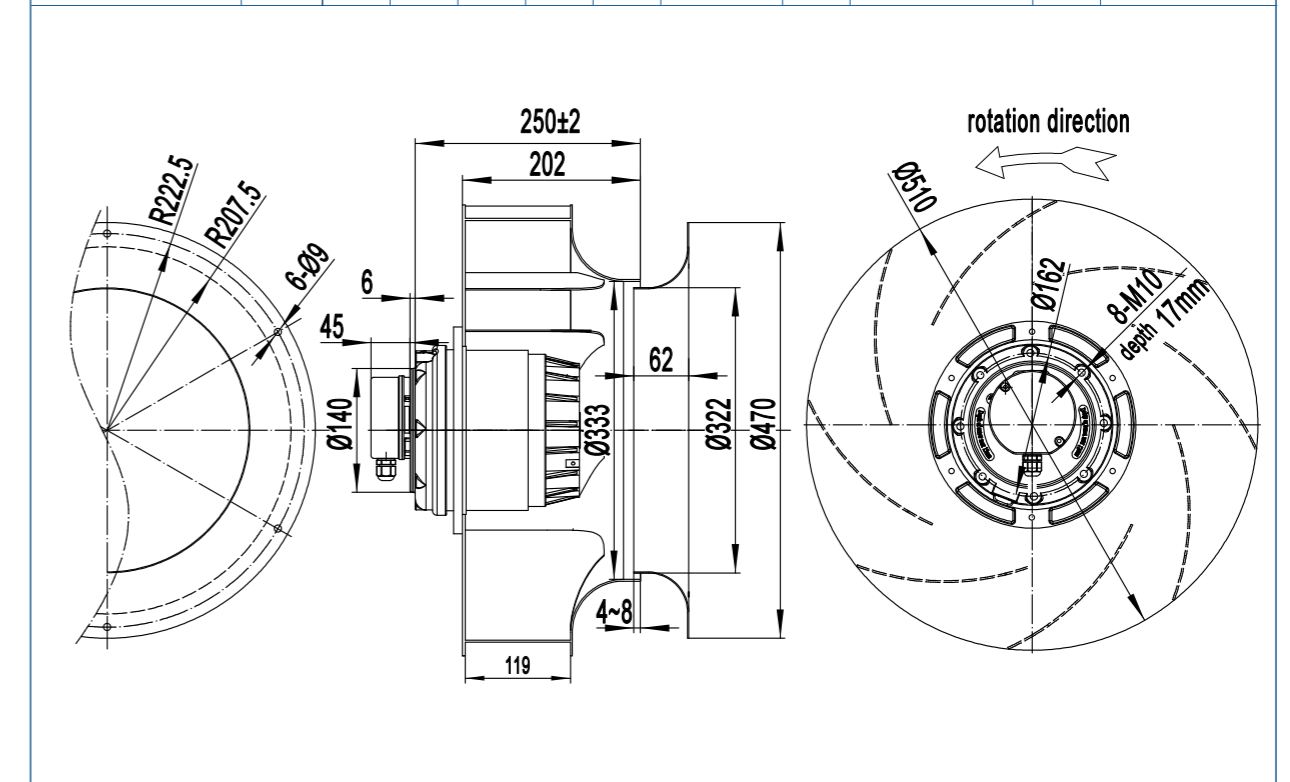
Type	Voltage	Frequency	Current	Input Power	Speed	Capacitor	Air Flow	Noise	Temperature	Curve No.	Approvals
Type	V	Hz	A	W	rpm	μF	m³/h / CFM	dB(A)	Min / Max(°C)	#	
B6E450-218A-AS00	220/230	50	1.3	260	930	10	3900/2294	60	-30 / +60	①	CCC ,CE,RoHS
	220/230	60	1.6	350	1050	10	4200/2470	61	-30 / +60	②	CCC ,CE,RoHS
B6D450-218A-AS00	380/400	50	1.0	300	920	/	3900/2294	60	-30 / +60	①	CCC ,CE,RoHS
	380/400	60	1.2	360	1050	/	4200/2470	61	-30 / +60	②	CCC ,CE,RoHS



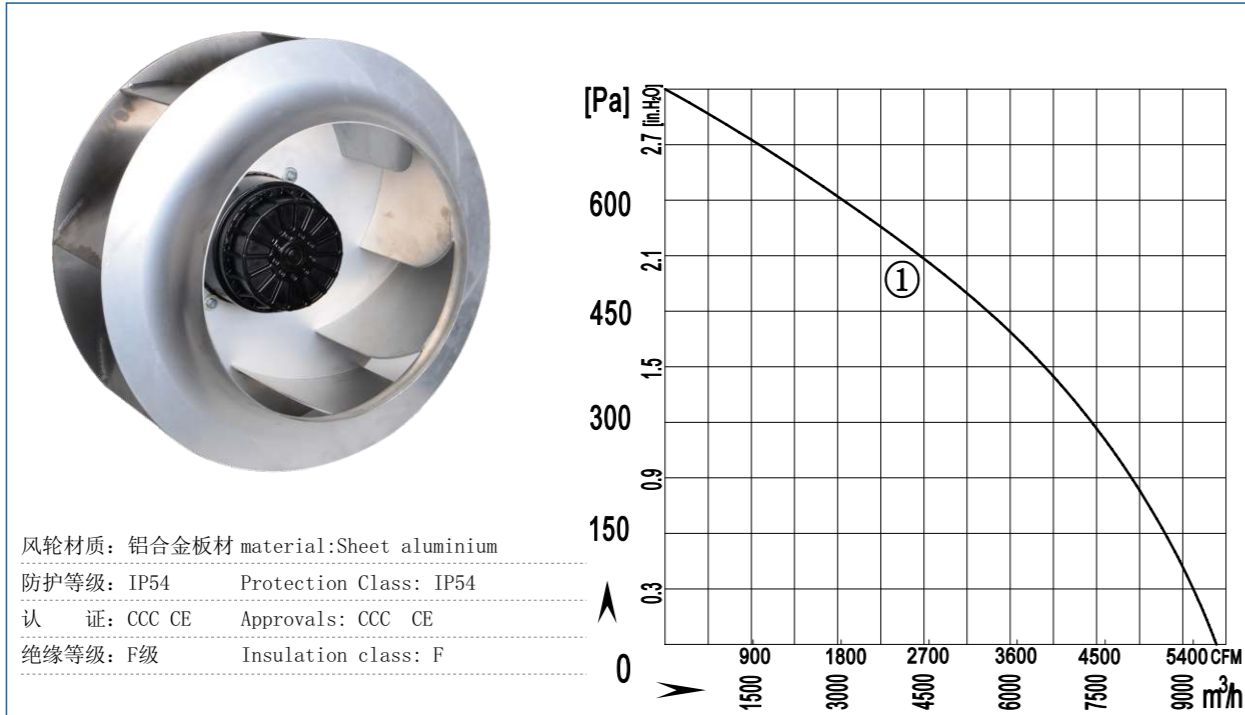
B500-202-V 后倾离心风机 B500-202-V Backward Centrifugal Fan



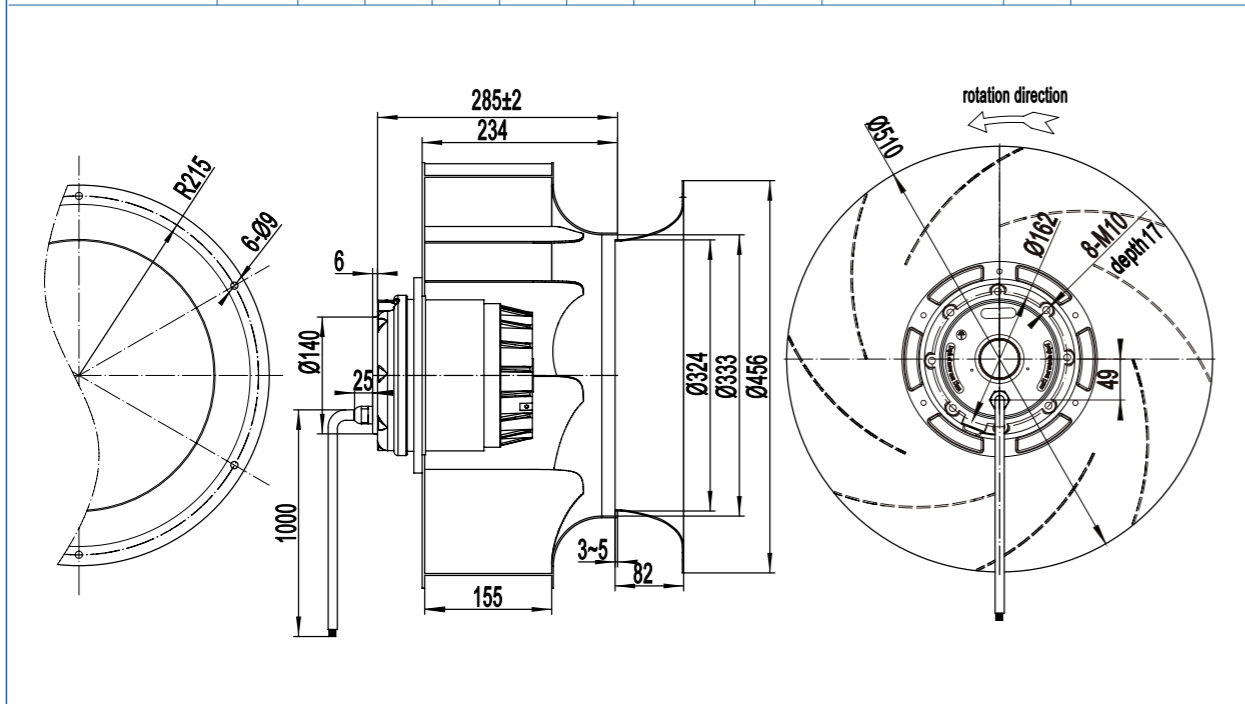
Type	Voltage	Frequency	Current	Input Power	Speed	Capacitor	Air Flow	Noise	Temperature	Curve No.	Approvals
Type	V	Hz	A	W	rpm	μF	m³/h / CFM	dB(A)	Min / Max(°C)	#	
B4D500-202A-AVM1	380/400	50	2.1	1000	1350	/	7800/4588	79	-30 / +60	①	CCC ,CE,RoHS



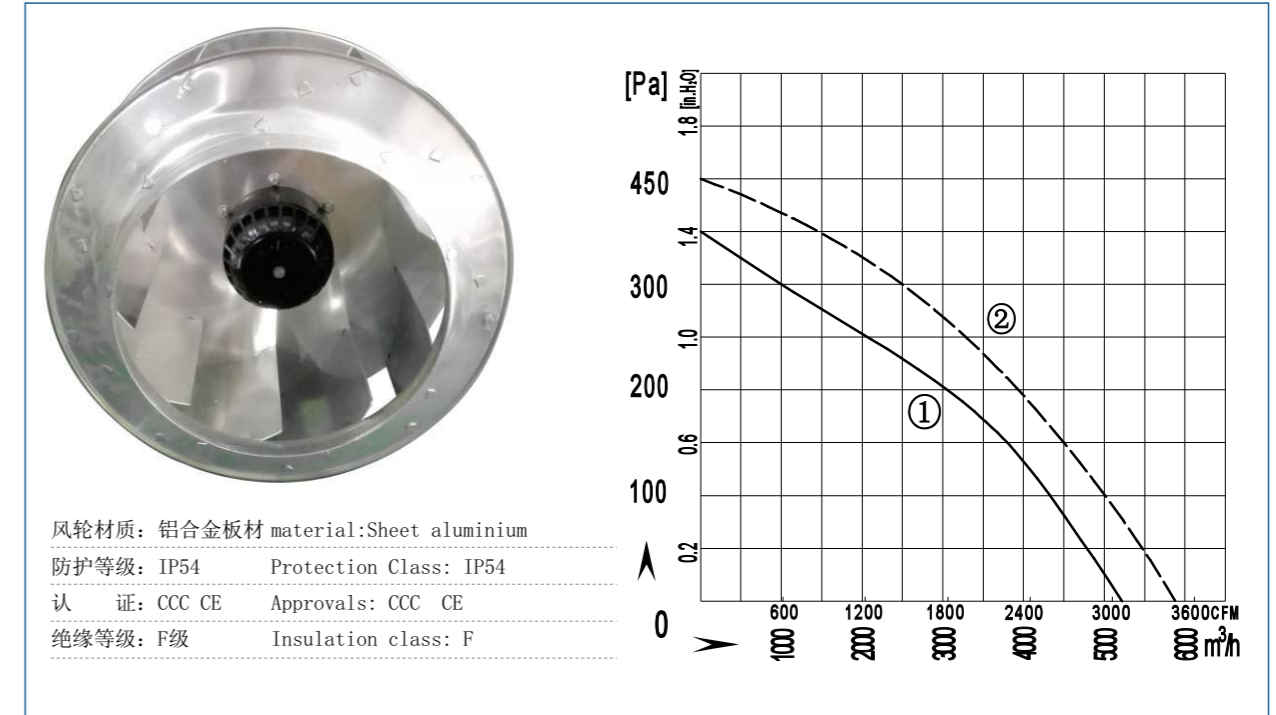
B500-234 后倾离心风机 B500-234 Backward Centrifugal Fan



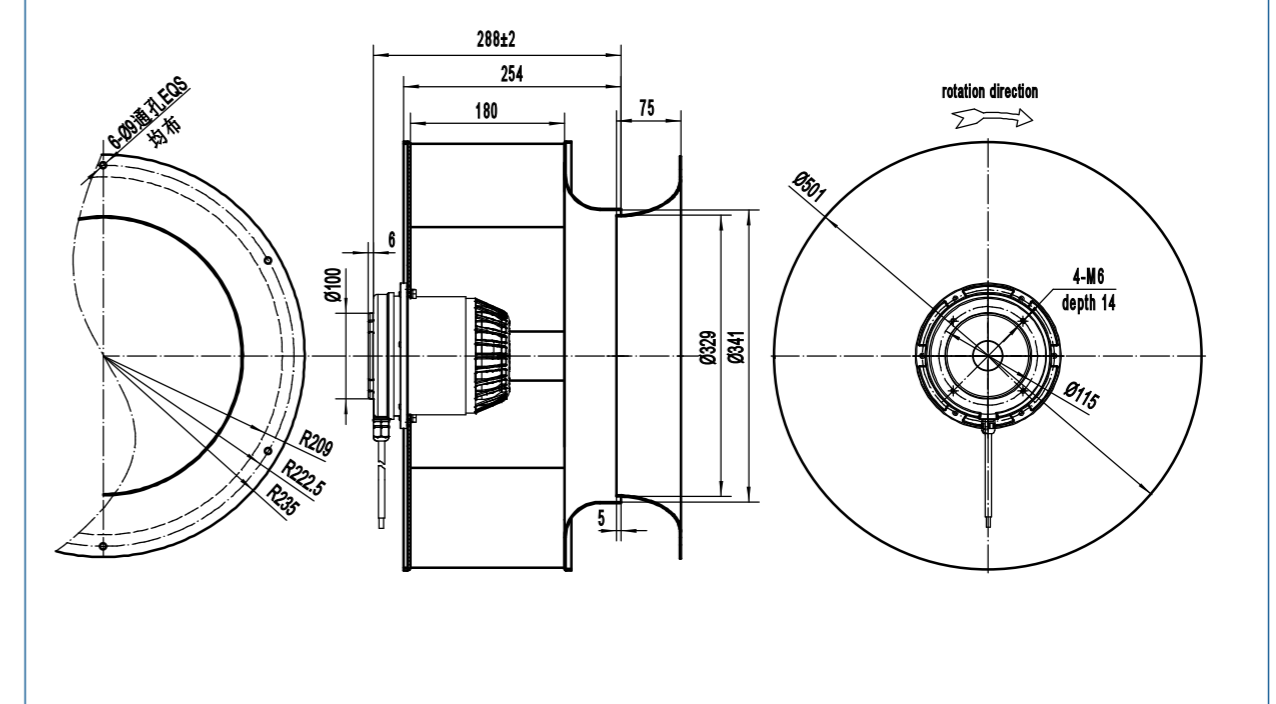
Type	Voltage	Frequency	Current	Input Power	Speed	Capacitor	Air Flow	Noise	Temperature	Curve No.	Approvals
Type	V	Hz	A	W	rpm	μF	m³/h / CFM	dB(A)	Min / Max(°C)	#	
B4D500-234A-AW00	380/400	50	2.6	1500	1400	/	9500/5588	80	-30 / +60	①	CCC ,CE,RoHS



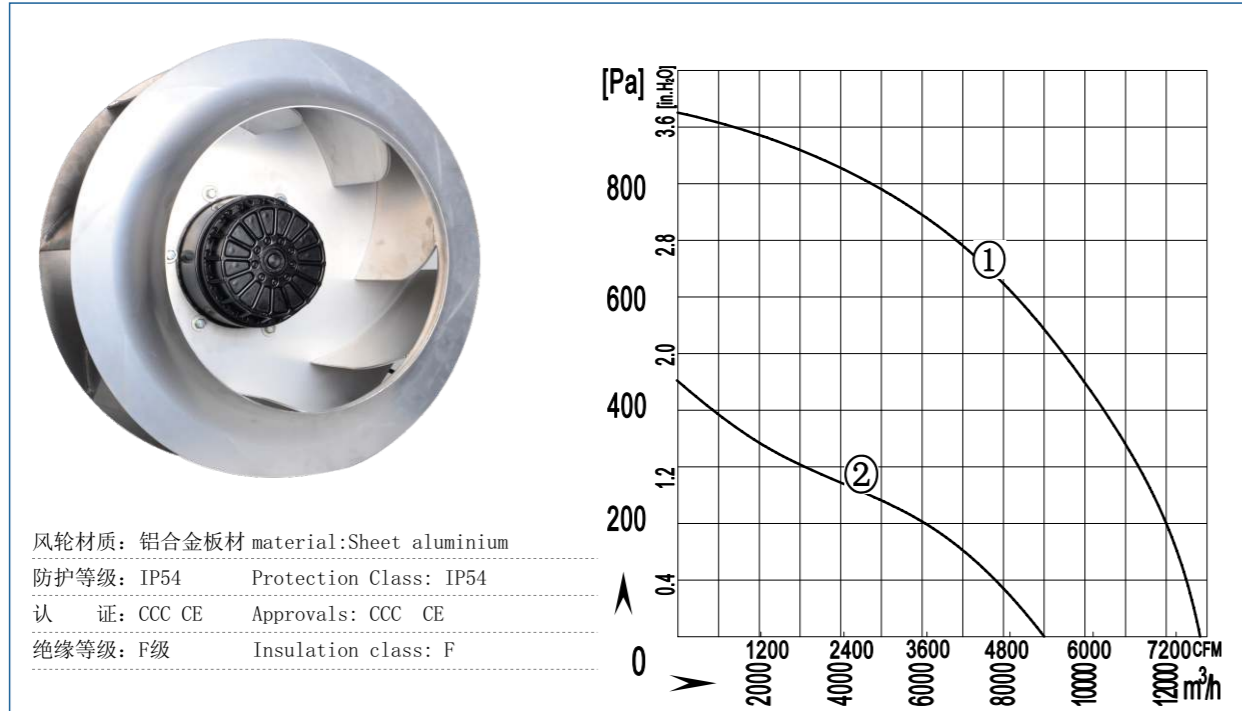
B500-254 后倾离心风机 B500-254 Backward Centrifugal Fan



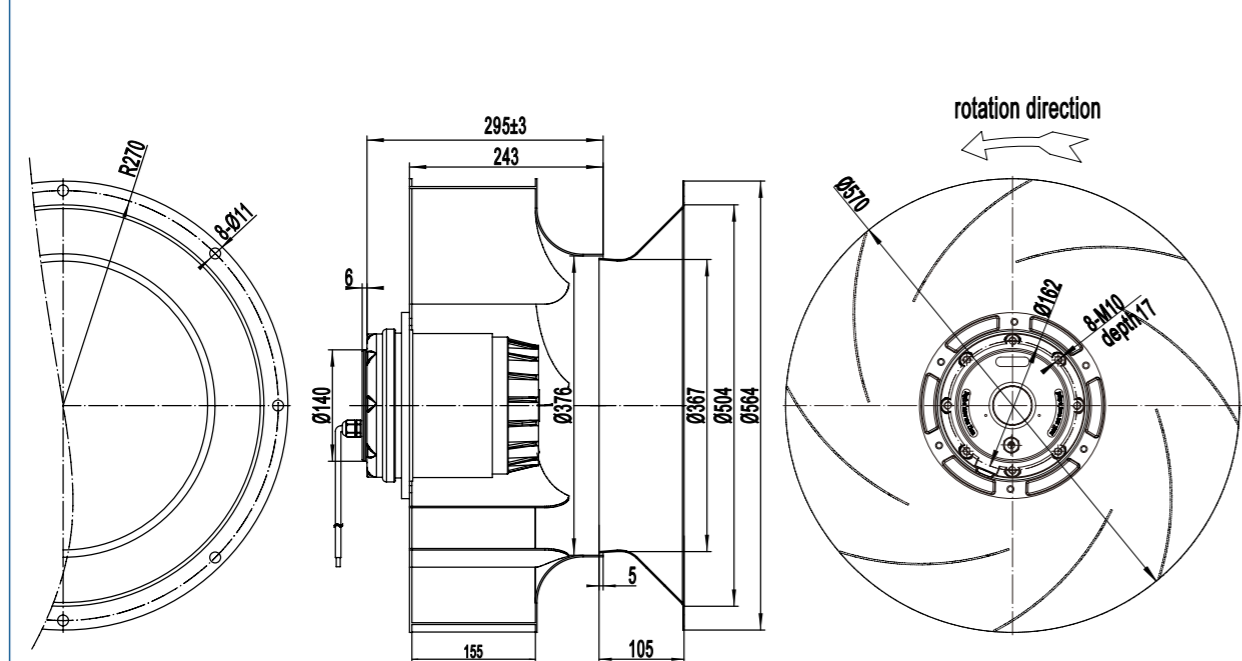
Type	Voltage	Frequency	Current	Input Power	Speed	Capacitor	Air Flow	Noise	Temperature	Curve No.	Approvals
Type	V	Hz	A	W	rpm	μF	m³/h / CFM	dB(A)	Min / Max(°C)	#	
B6D500-254A-AT00	380/400	50	1.25	450	950	/	5200/3060	63	-30 / +60	①	CCC ,CE,RoHS
	380/400	60	1.4	550	1050	/	5700/3380	65	-30 / +60	②	CCC ,CE,RoHS



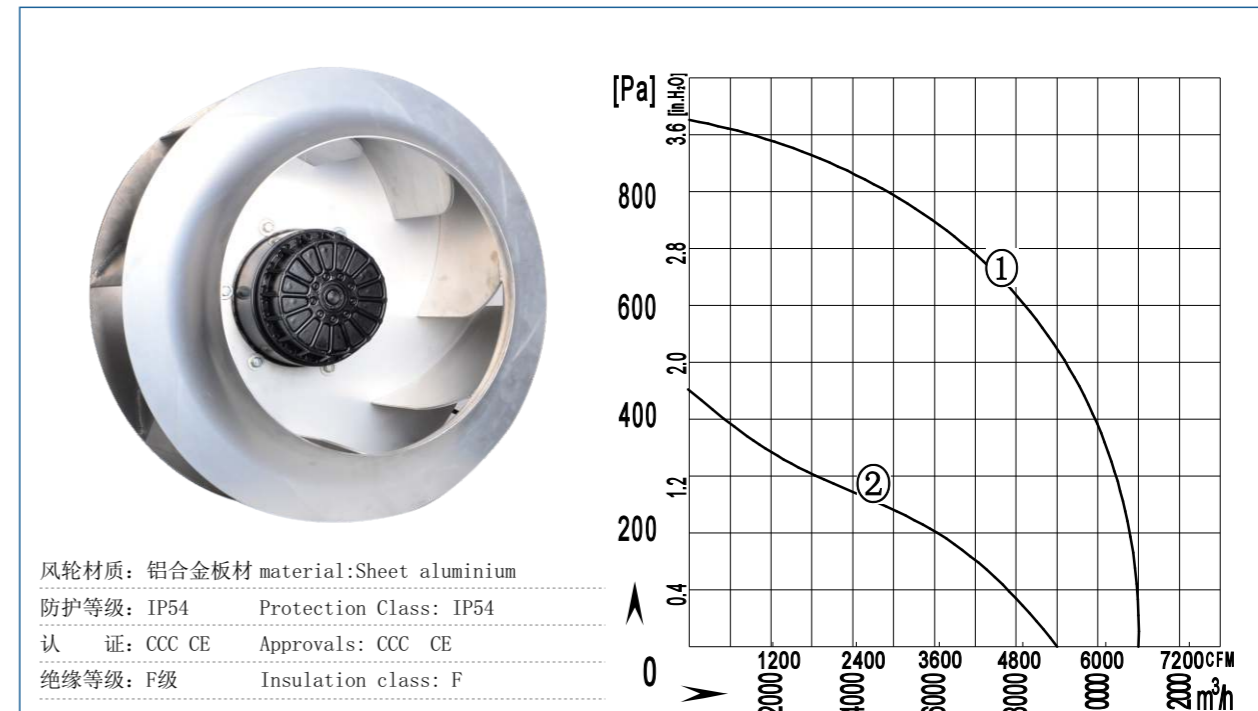
B560-243 后倾离心风机 B560-243 Backward Centrifugal Fan



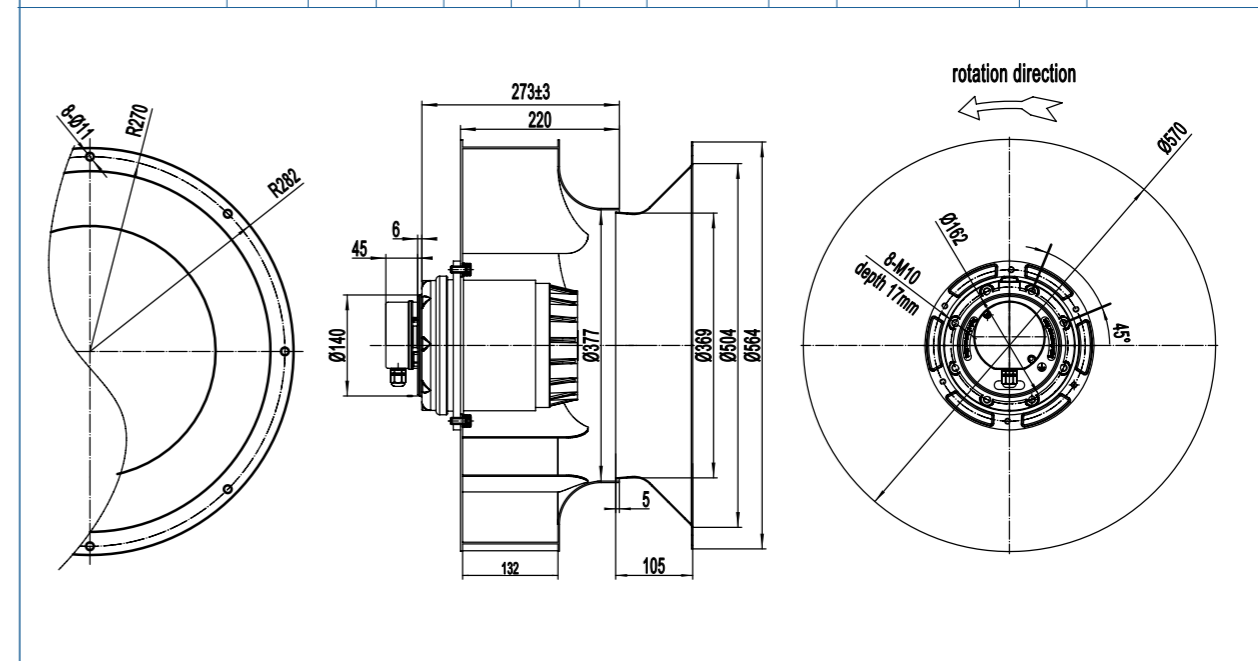
Type	Voltage	Frequency	Current	Input Power	Speed	Capacitor	Air Flow	Noise	Temperature	Curve No.	Approvals
Type	V	Hz	A	W	rpm	μF	m³/h / CFM	dB(A)	Min / Max(°C)	#	
B4D560-243A-AX00	380/400	50	4.5	2500	1340	/	12000/7059	85	-30 / +60	①	CCC ,CE,RoHS
B6D560-243A-AW00	380/400	50	1.8	900	910	/	9000/5294	73	-30 / +60	②	



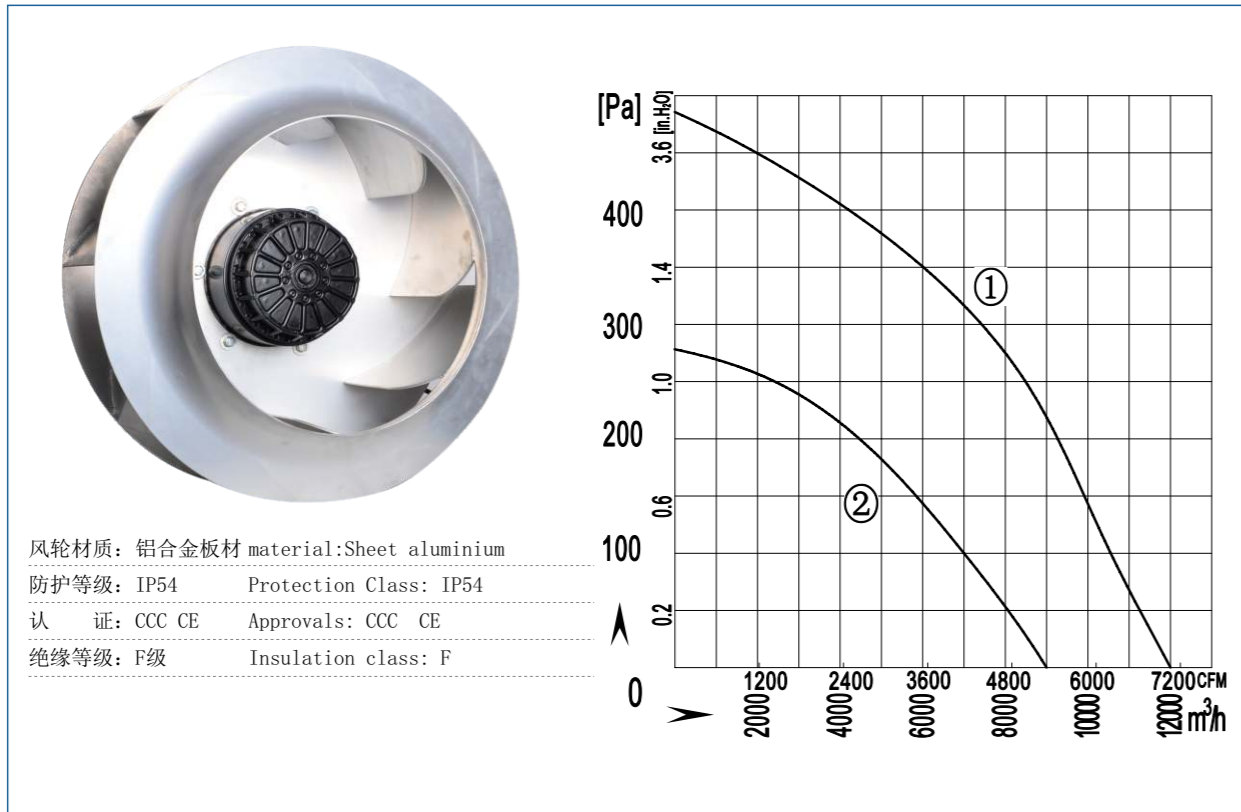
B560-220 后倾离心风机 B560-220 Backward Centrifugal Fan



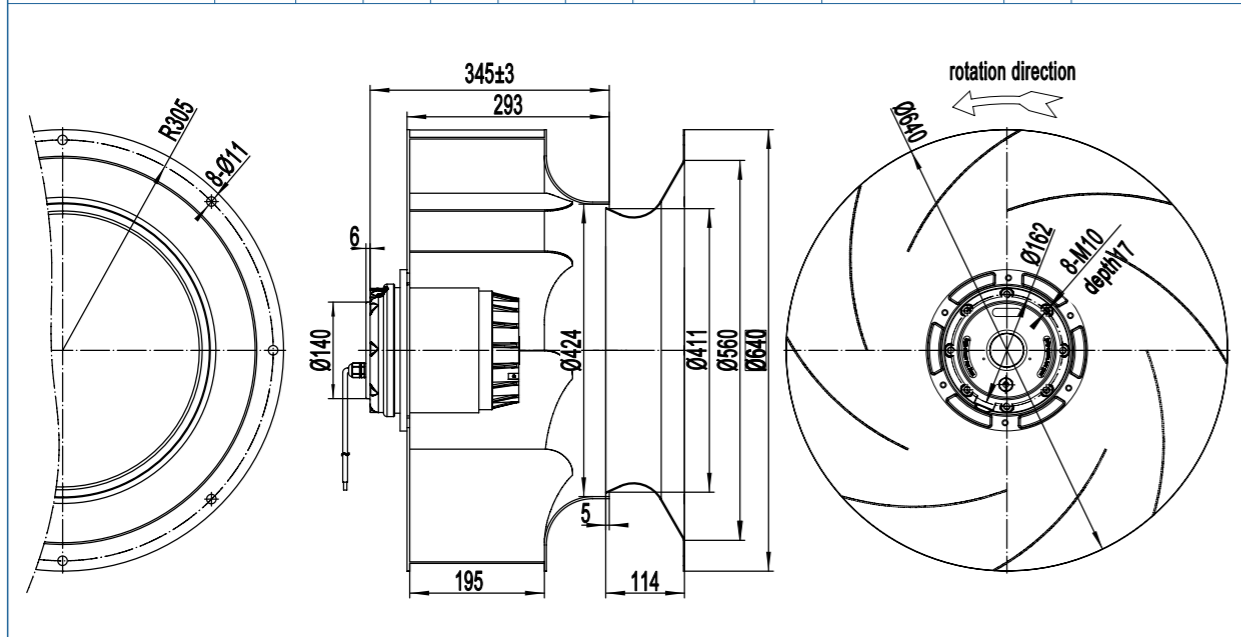
Type	Voltage	Frequency	Current	Input Power	Speed	Capacitor	Air Flow	Noise	Temperature	Curve No.	Approvals
Type	V	Hz	A	W	rpm	μF	m³/h / CFM	dB(A)	Min / Max(°C)	#	
B4D560-220A-AXM0	380/400	50	4.5	2500	1350	/	11000/6470	85	-30 / +60	①	CCC ,CE,RoHS
B6D560-220A-AWM0	380/400	50	1.8	900	910	/	9000/5294	73	-30 / +60	②	



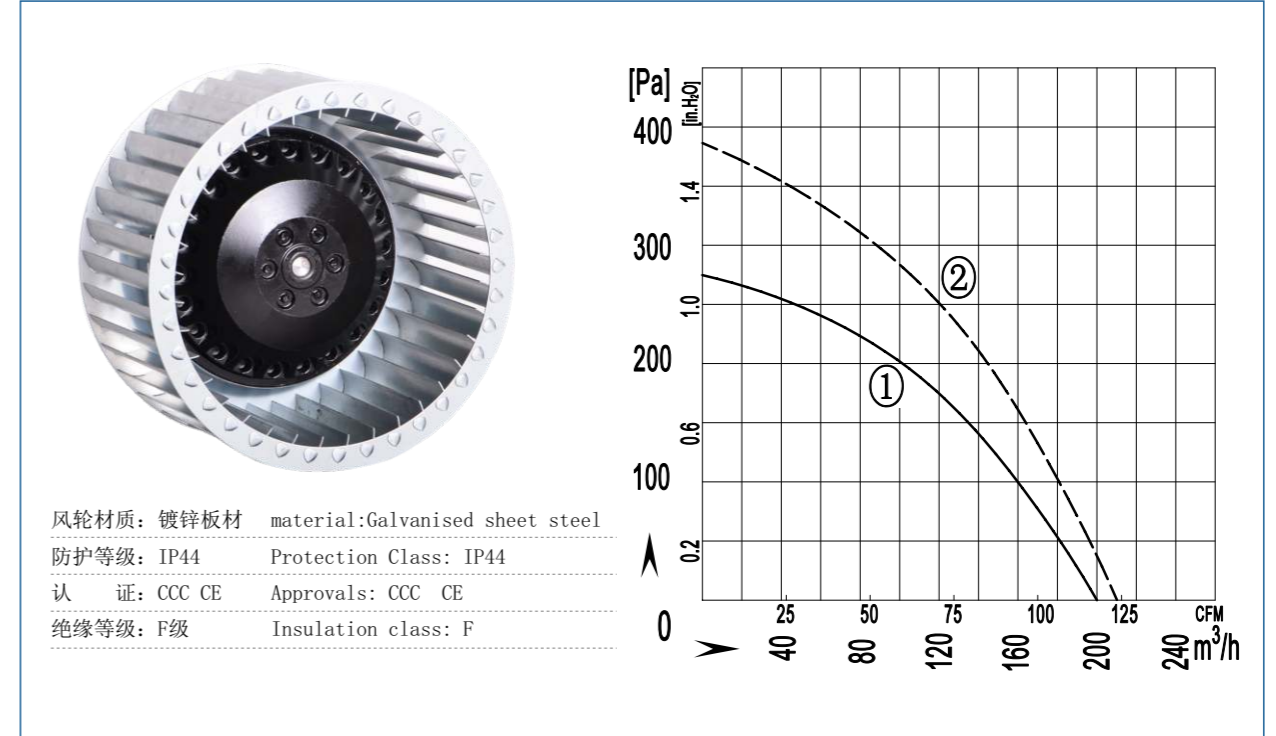
B630-293 后倾离心风机 B630-293 Backward Centrifugal Fan



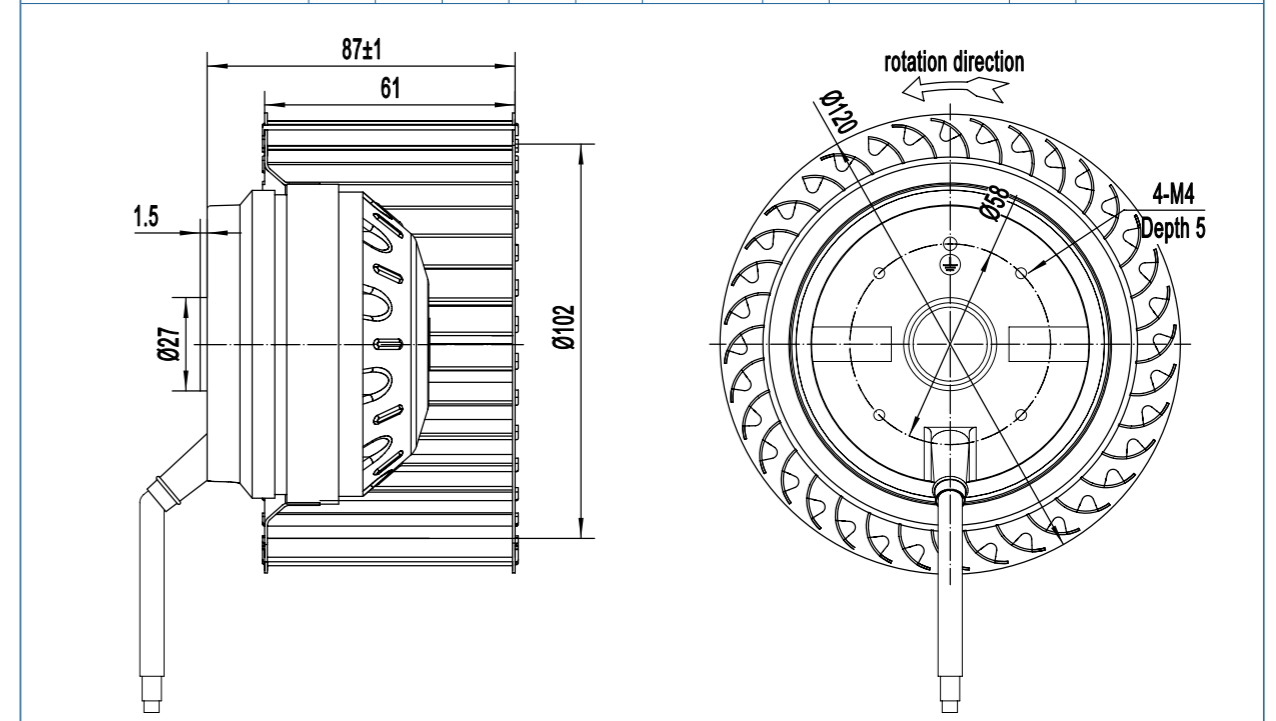
Type	V	Hz	A	W	rpm	μF	m³/h / CFM	dB(A)	Min / Max(°C)	#	Approvals
B6D630-293A-AX00	380/400	50	3.8	1500	900	/	12000/7059	80	-30 / +60	①	CCC, CE, RoHS
B8D630-293A-AW00	380/400	50	1.7	700	700	/	9000/5294	72	-30 / +60	②	



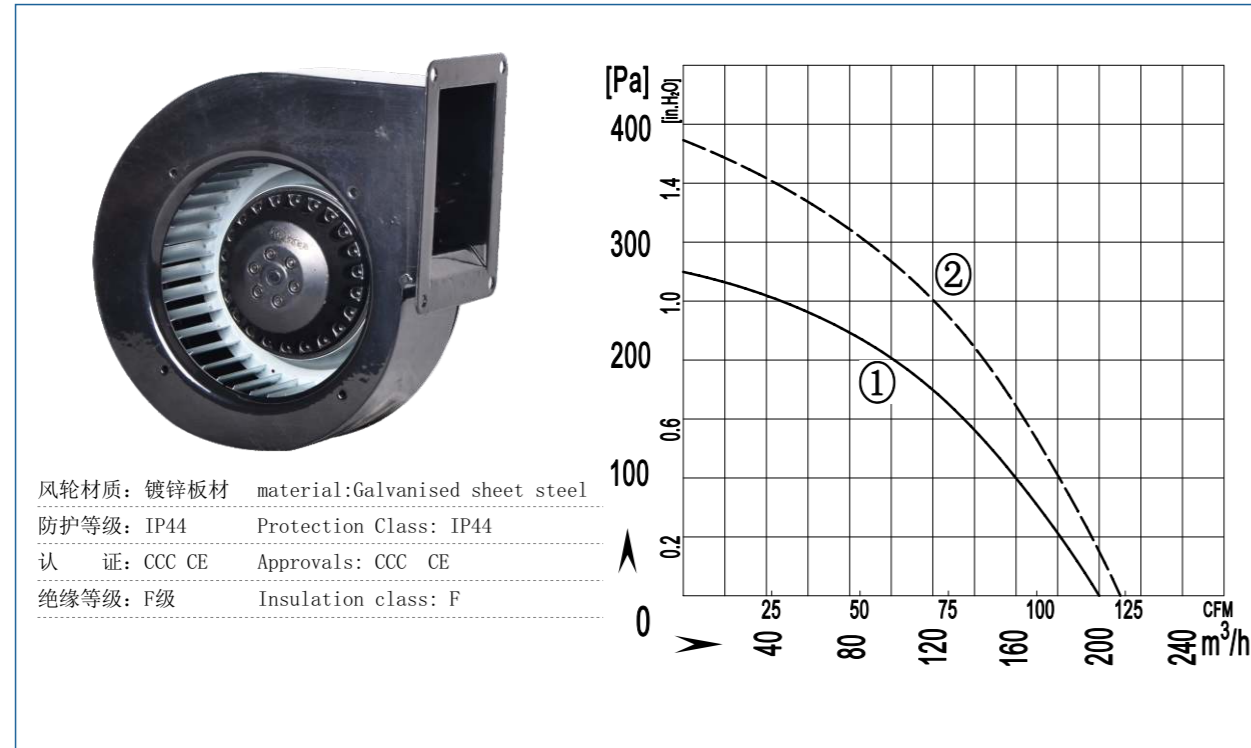
F120-60 前倾离心风机 F120-60 Forward Centrifugal Fan



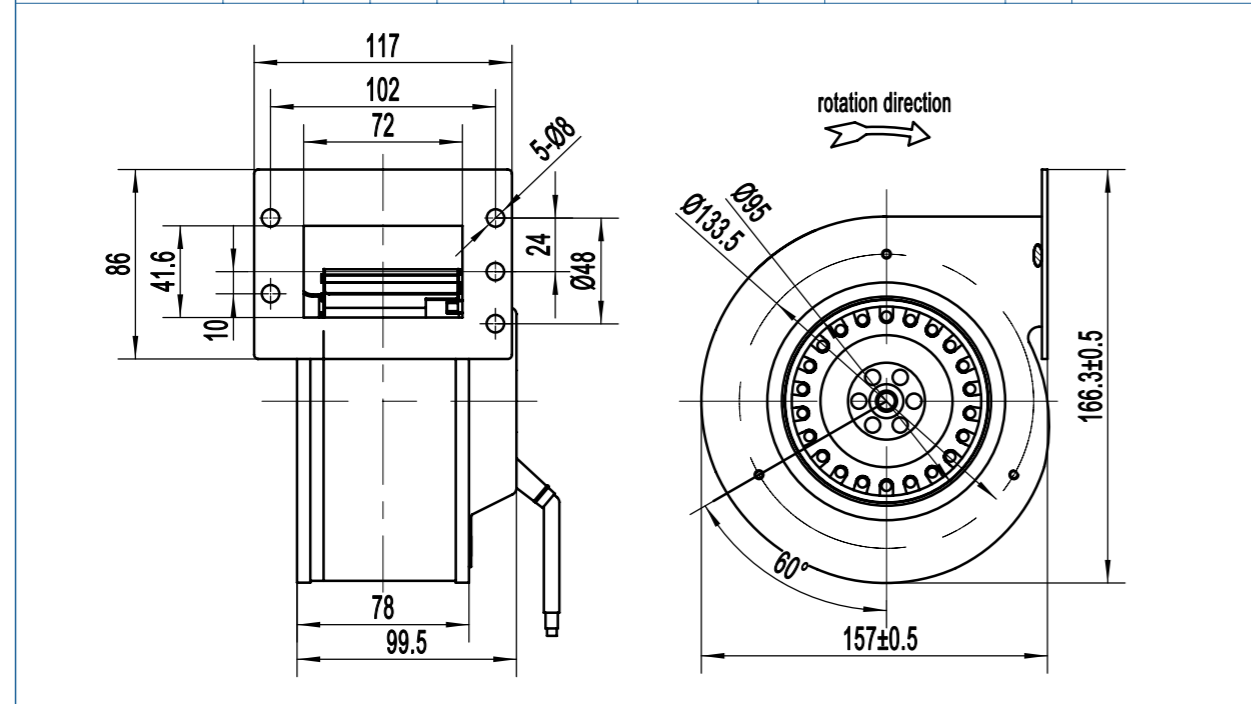
Type	V	Hz	A	W	rpm	μF	m³/h / CFM	dB(A)	Min / Max(°C)	#	Approvals
F2E120-060A-AA00	220/230	50	0.25	50	2550	1.5	200 / 120	51	-30 / +60	①	CCC, CE, RoHS
	220/230	60	0.30	63	2800	1.5	210 / 124	53	-30 / +60	②	CCC, CE, RoHS



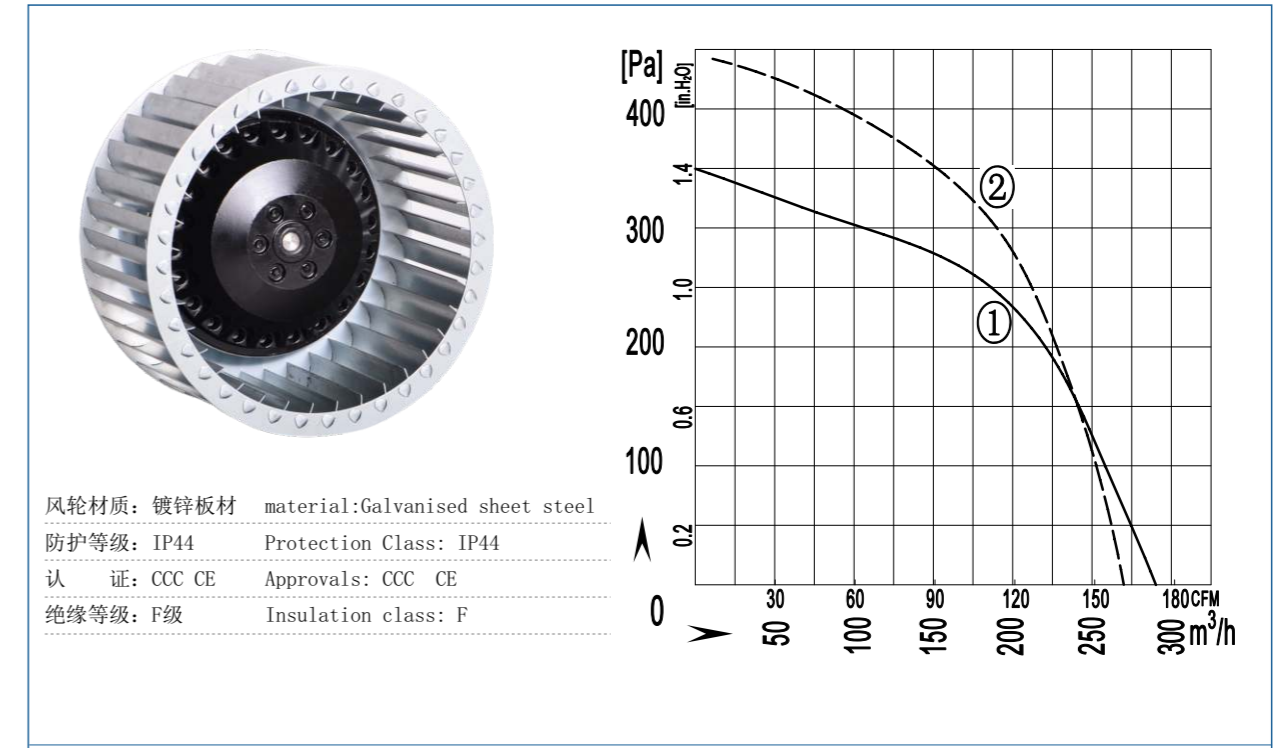
F120-60W 前倾离心风机 F120-60W Forward Centrifugal Fan



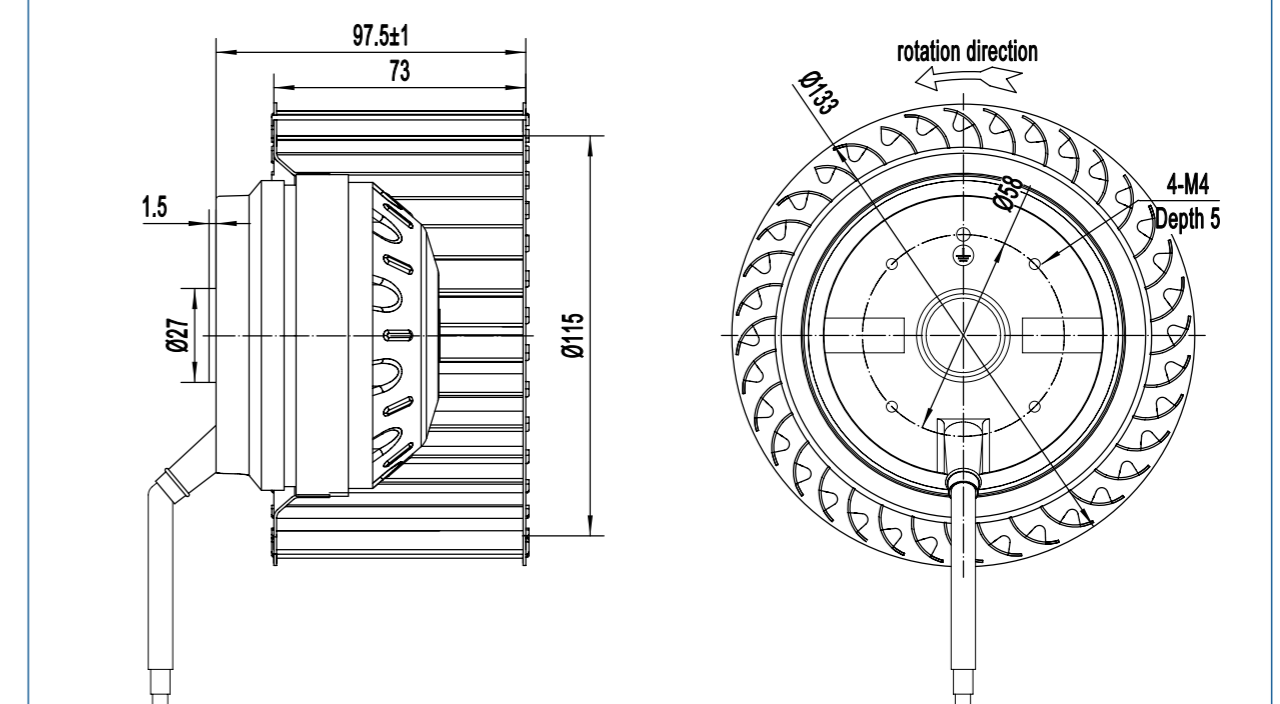
Type	Voltage	Frequency	Current	Input Power	Speed	Capacitor	Air Flow	Noise	Temperature	Curve No.	Approvals
Type	V	Hz	A	W	rpm	μF	m³/h / CFM	dB(A)	Min / Max(°C)	#	
F2E120-060W-AA00	220/230	50	0.27	58	2400	1.5	200 / 120	51	-30 / +60	①	CCC,CE,RoHS
	220/230	60	0.33	73	2500	1.5	210 / 124	53	-30 / +60	②	CCC,CE,RoHS



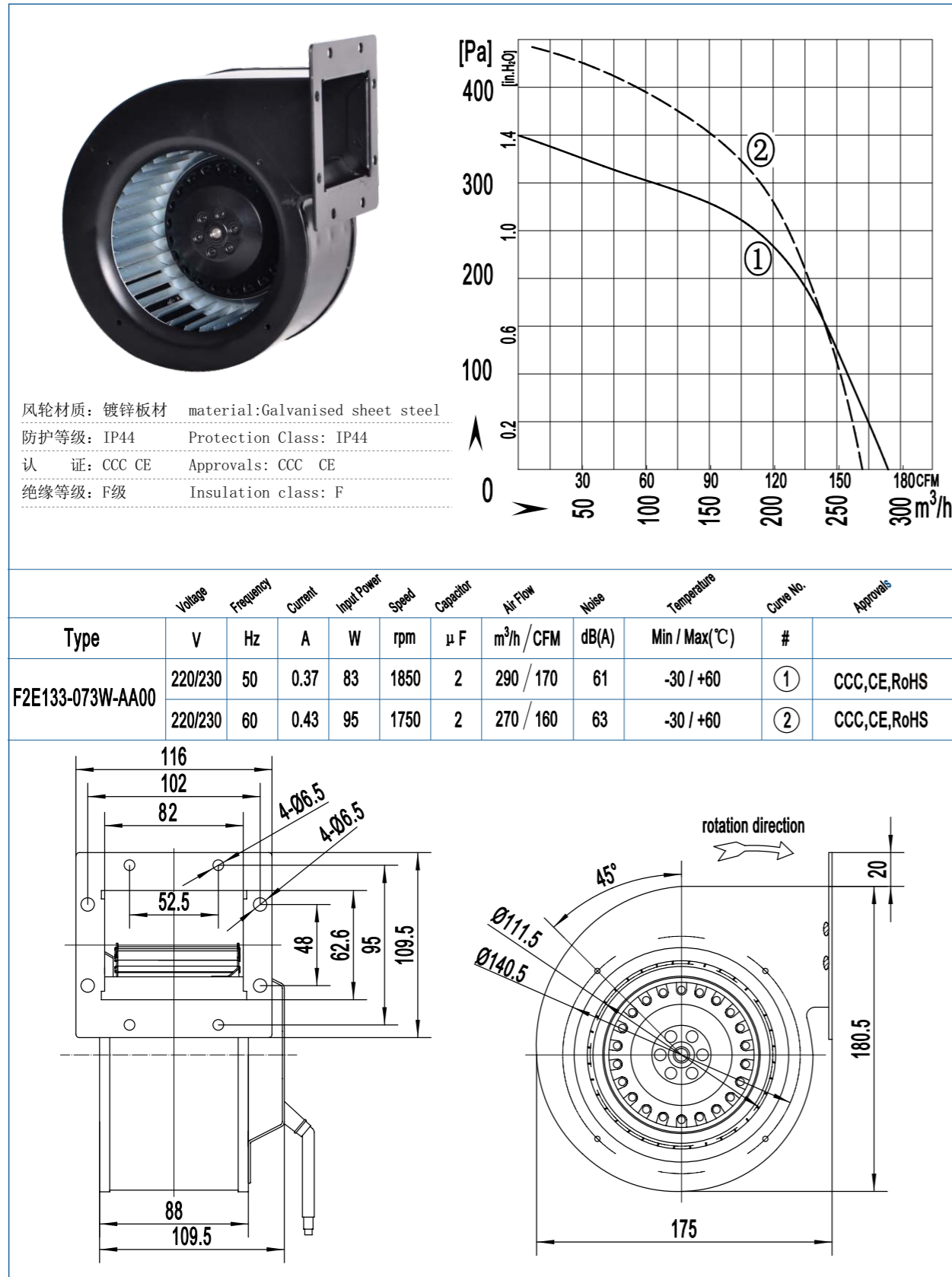
F133-73 前倾离心风机 F133-73 Forward Centrifugal Fan



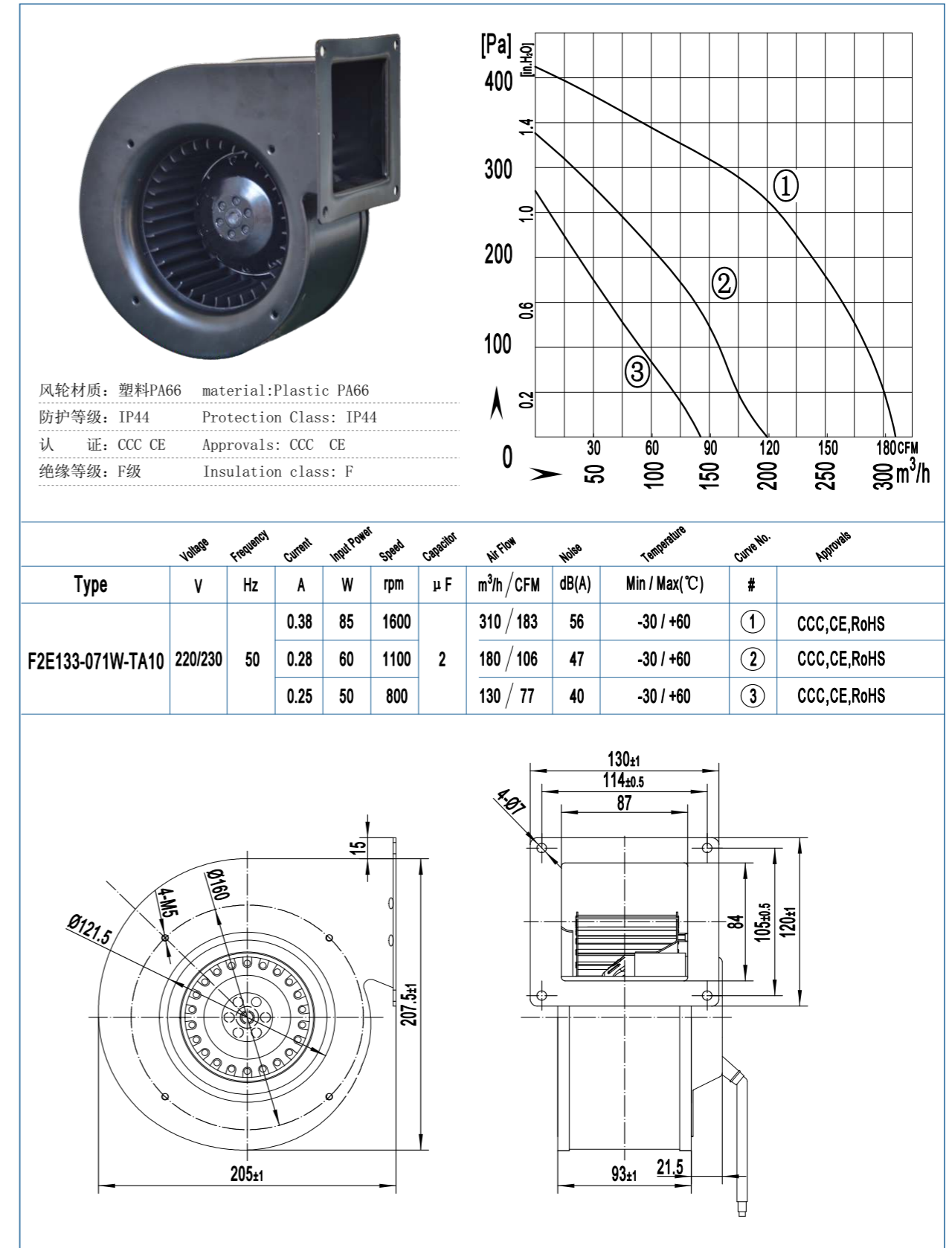
Type	Voltage	Frequency	Current	Input Power	Speed	Capacitor	Air Flow	Noise	Temperature	Curve No.	Approvals
Type	V	Hz	A	W	rpm	μF	m³/h / CFM	dB(A)	Min / Max(°C)	#	
F2E133-073A-AA00	220/230	50	0.32	70	2300	2	290 / 170	61	-30 / +60	①	CCC,CE,RoHS
	220/230	60	0.40	85	2350	2	270 / 160	63	-30 / +60	②	CCC,CE,RoHS



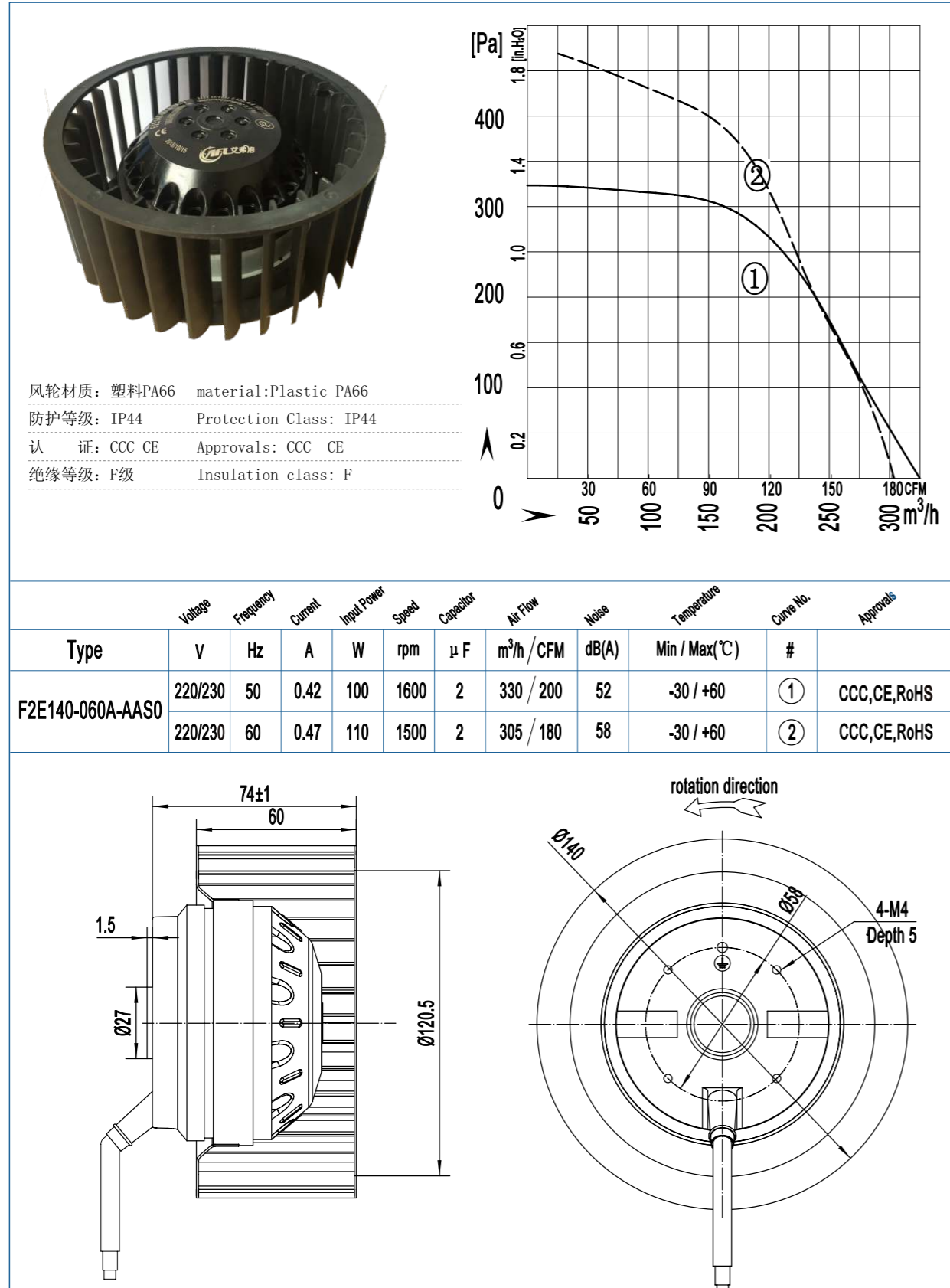
F133-73W 前倾离心风机 F133-73W Forward Centrifugal Fan



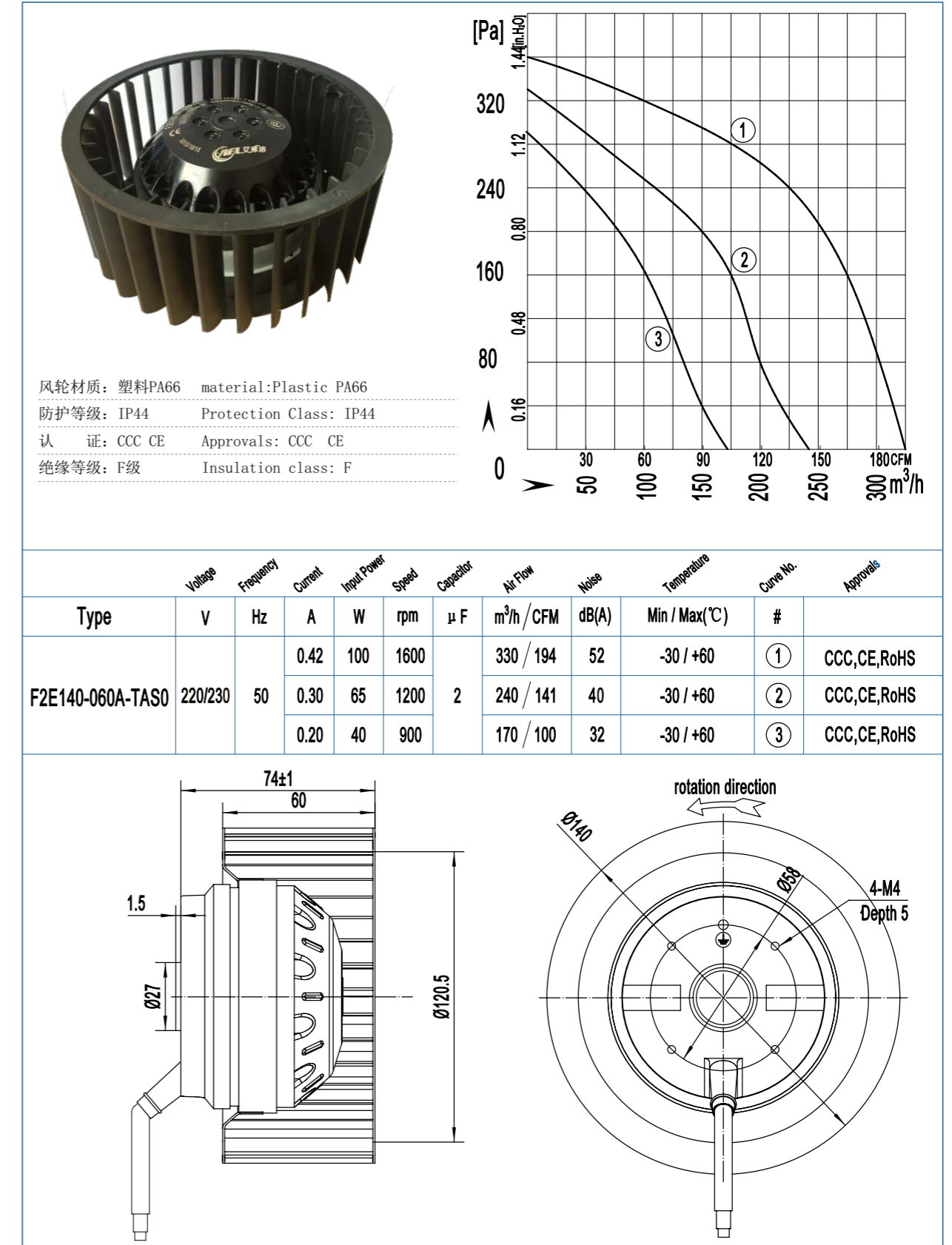
F133-071W-TS 前倾离心风机 F133-071W-TS Forward Centrifugal Fan



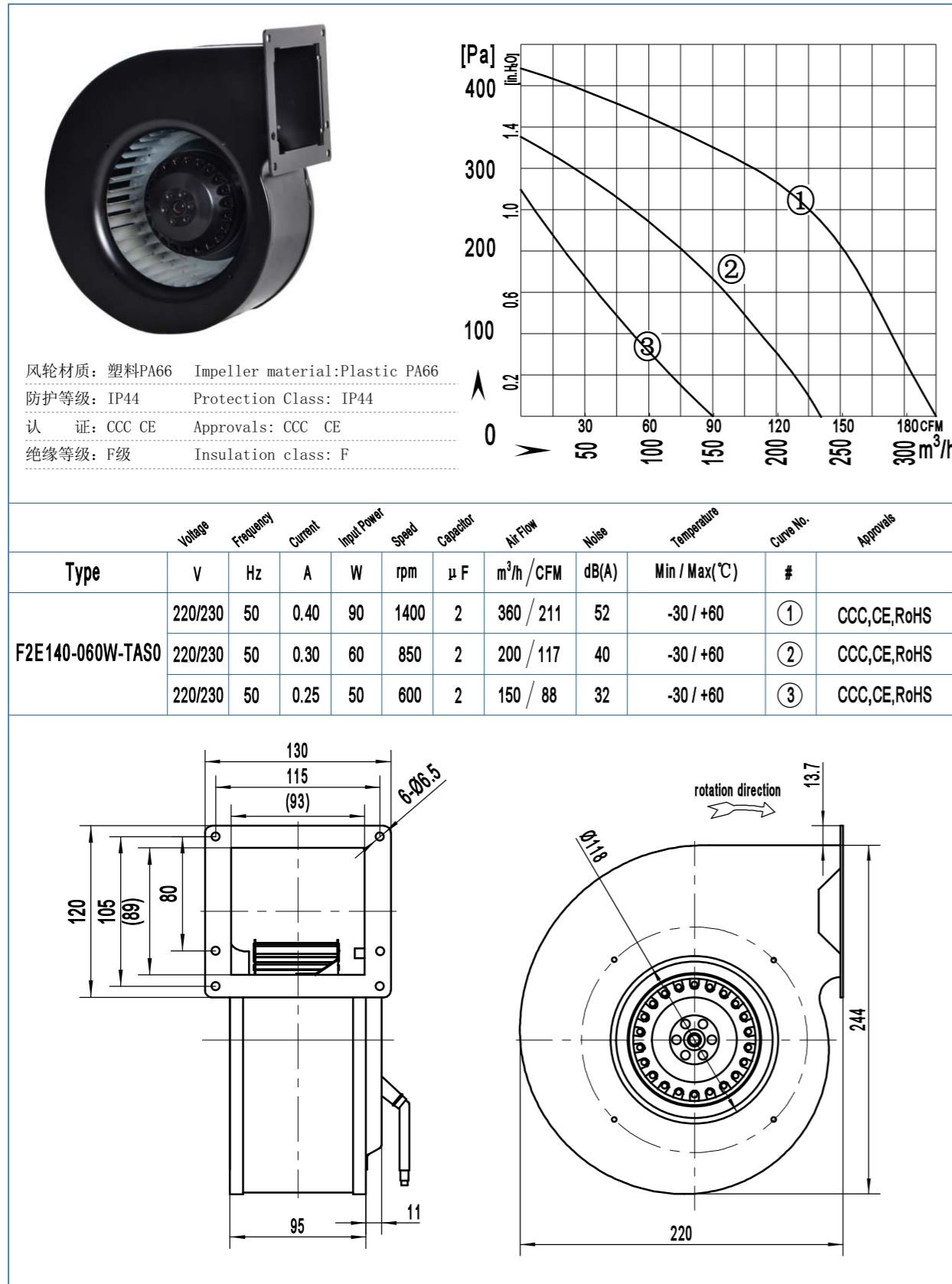
F140-60-AS 前倾离心风机 F140-60-AS Forward Centrifugal Fan



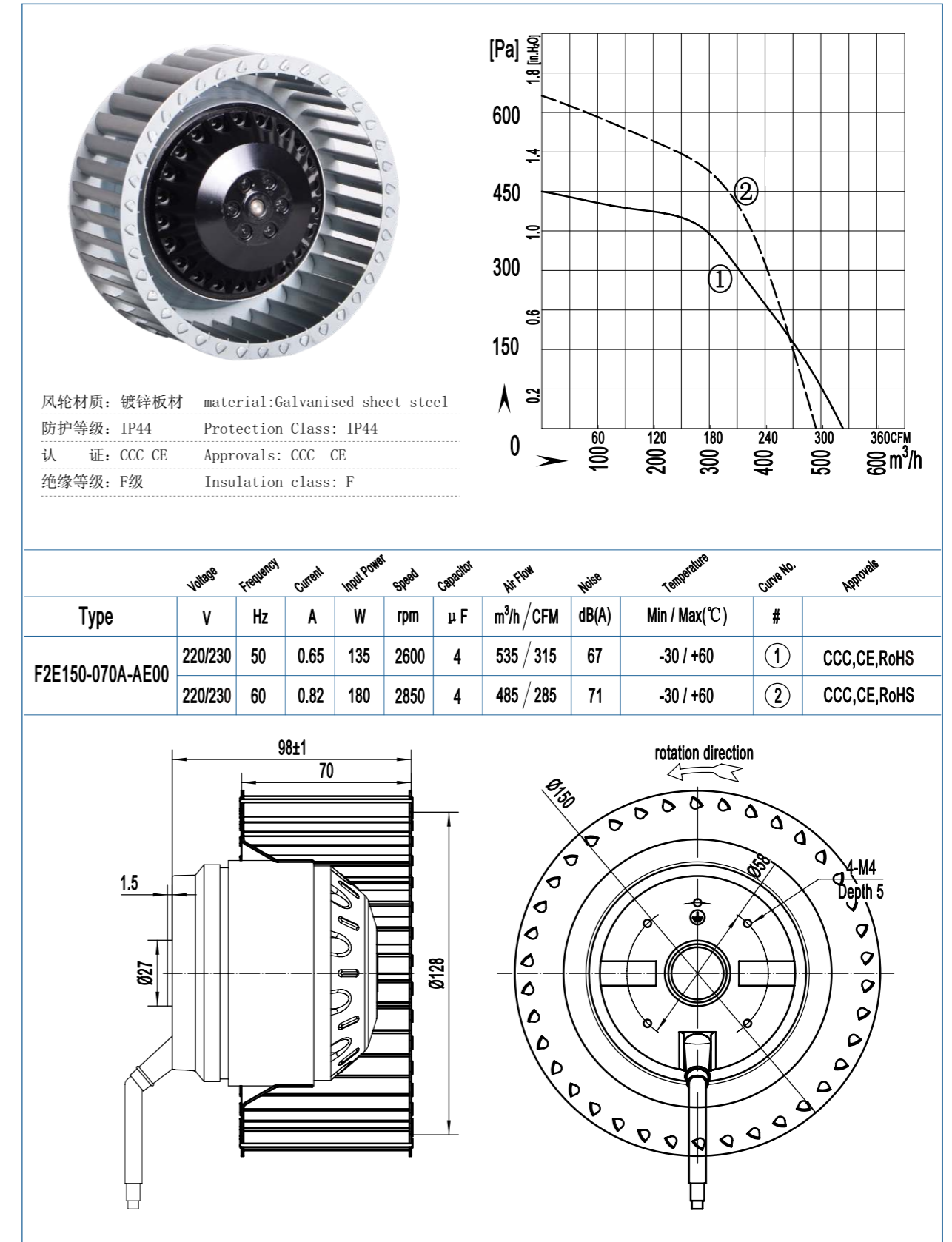
F140-60A-TS 前倾离心风机 F140-60A-TS Forward Centrifugal Fan



F140-60W-T 前倾离心风机 F140-60W-T Forward Centrifugal Fan



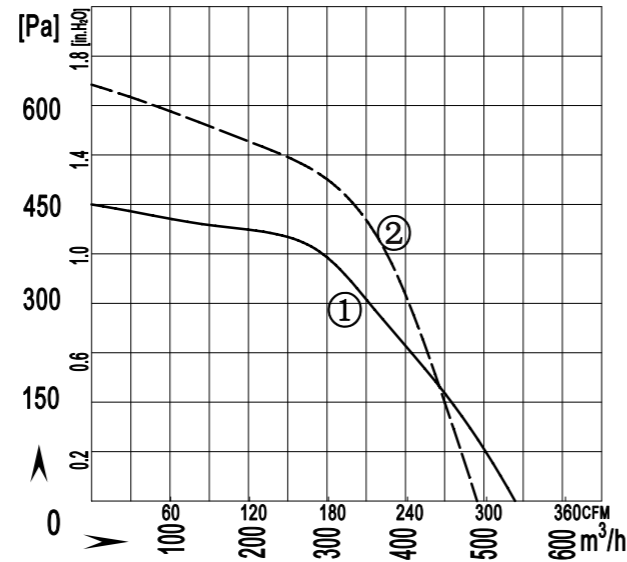
F150-70 前倾离心风机 F150-70 Forward Centrifugal Fan



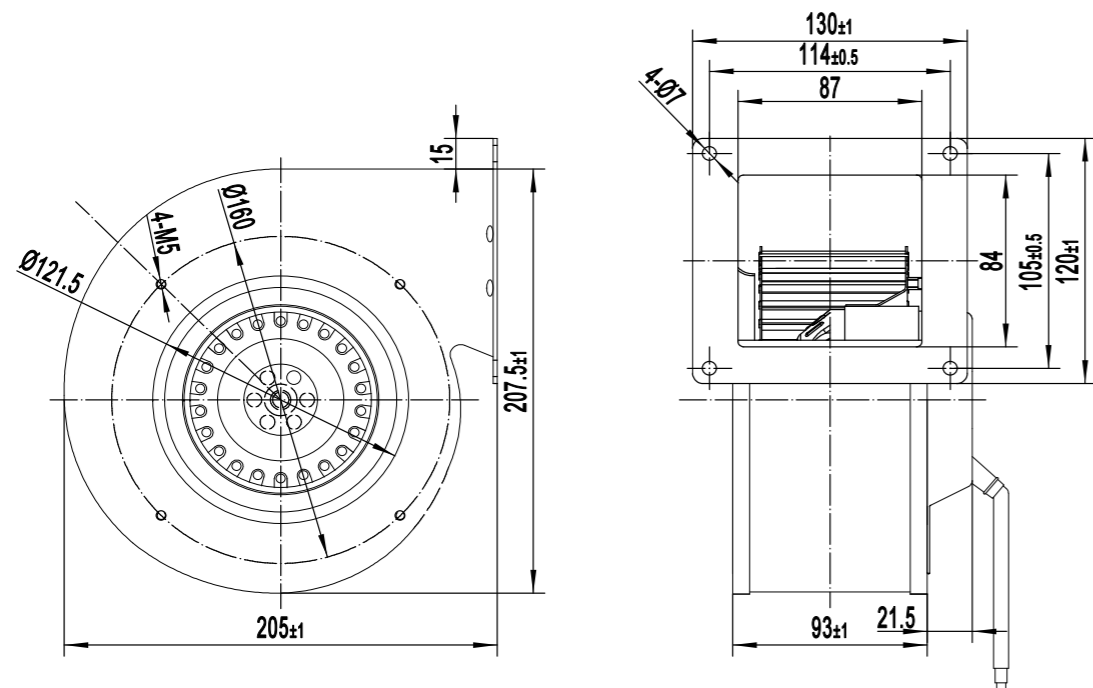
F150-70W 前倾离心风机 F150-70W Forward Centrifugal Fan



风轮材质: 镀锌板材 material: Galvanised sheet steel
 防护等级: IP44 Protection Class: IP44
 认证: CCC CE Approvals: CCC CE
 绝缘等级: F级 Insulation class: F



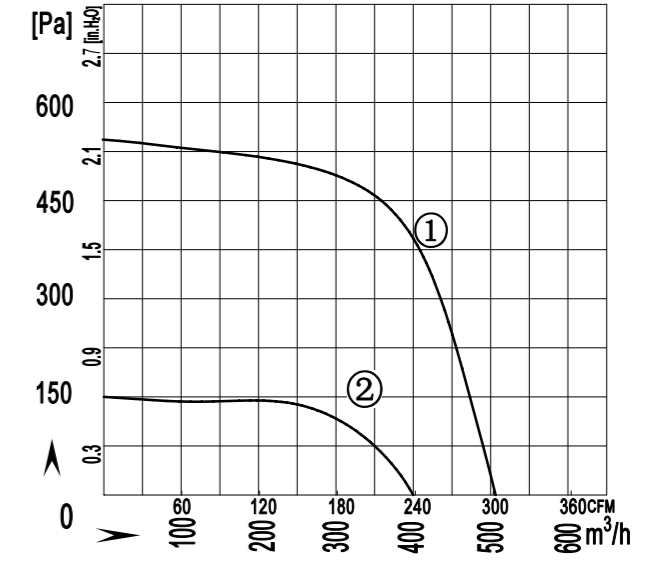
Type	Voltage	Frequency	Current	Input Power	Speed	Capacitor	Air Flow	Noise	Temperature	Curve No.	Approvals
Type	V	Hz	A	W	rpm	μF	m³/h / CFM	dB(A)	Min / Max(°C)	#	
F2E150-070W-AE00	220/230	50	0.83	183	2300	4	530 / 307	63	-30 / +60	①	CCC,CE,RoHS
	220/230	60	1.04	230	2200	4	480 / 278	68	-30 / +60	②	CCC,CE,RoHS



F160-60 前倾离心风机 F160-60 Forward Centrifugal Fan



风轮材质: 镀锌板材 material: Galvanised sheet steel
 防护等级: IP44 Protection Class: IP44
 认证: CCC CE Approvals: CCC CE
 绝缘等级: F级 Insulation class: F



Type	Voltage	Frequency	Current	Input Power	Speed	Capacitor	Air Flow	Noise	Temperature	Curve No.	Approvals
Type	V	Hz	A	W	rpm	μF	m³/h / CFM	dB(A)	Min / Max(°C)	#	
F2E160-060A-AE00	220/230	50	1.0	230	1800	4	510 / 310	69	-30 / +60	①	CCC,CE,RoHS
F4E160-060A-ACC0	220/230	50	0.3	68	1400	2	400 / 230	58	-30 / +60	②	CCC,CE,RoHS

