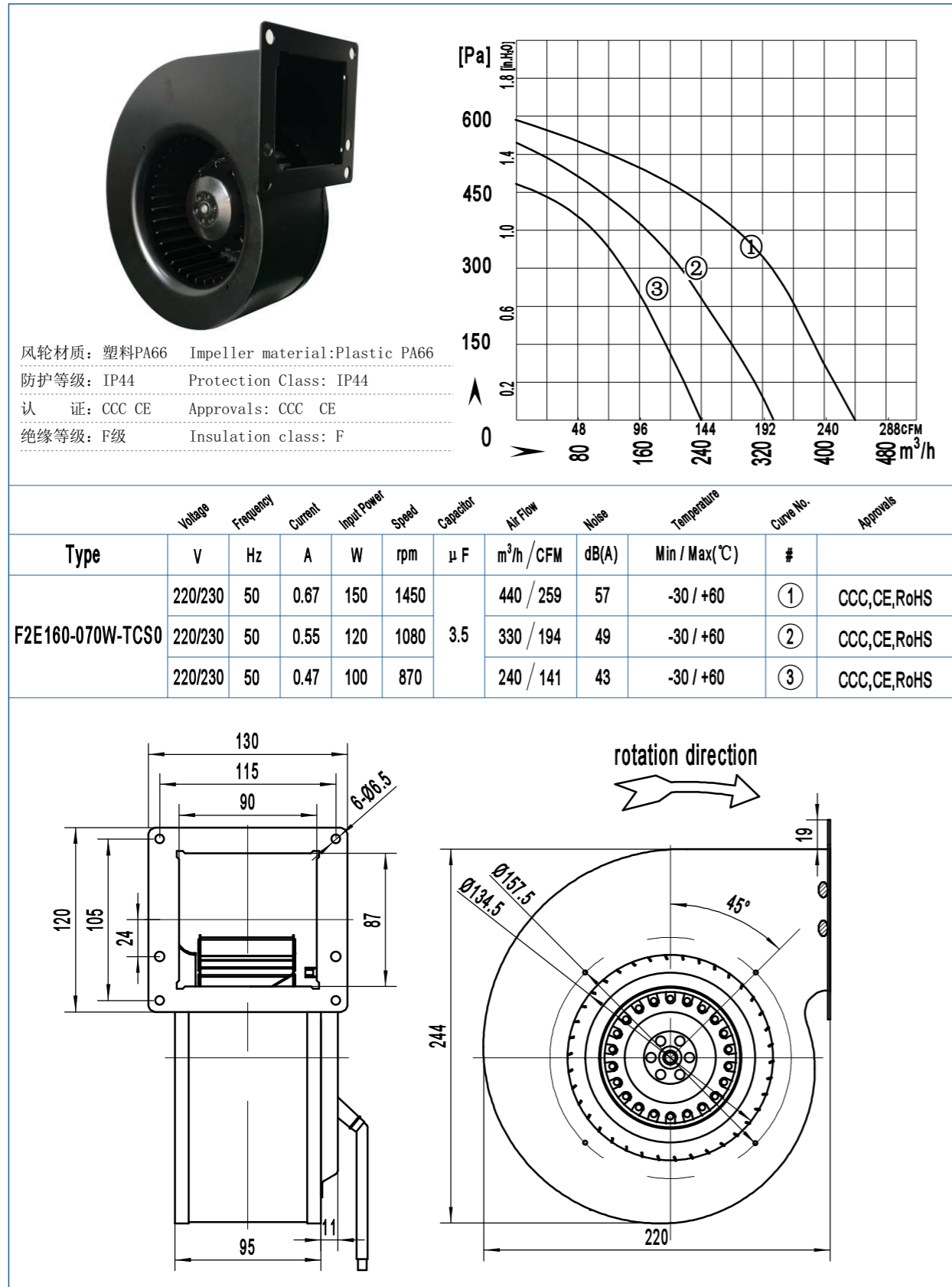
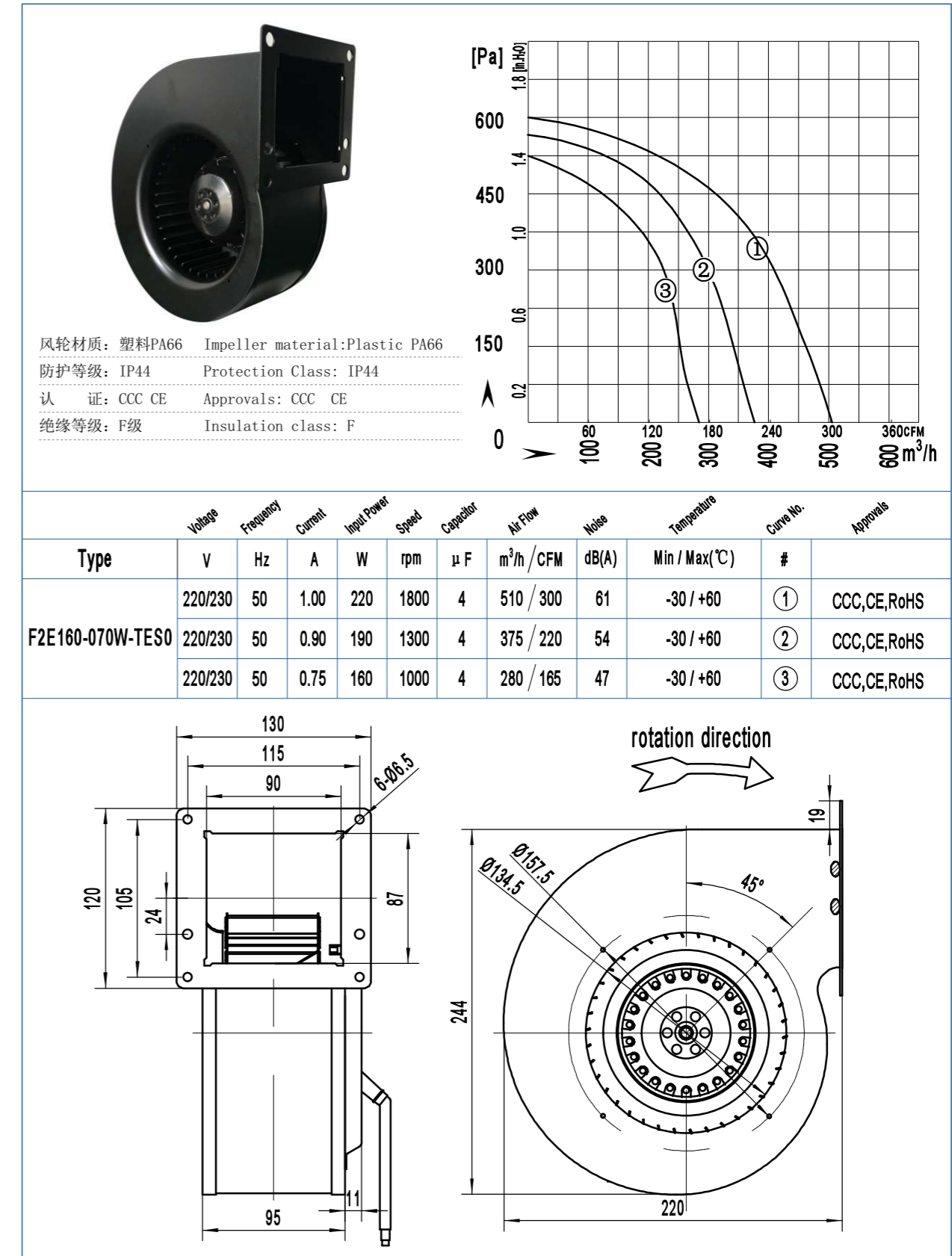


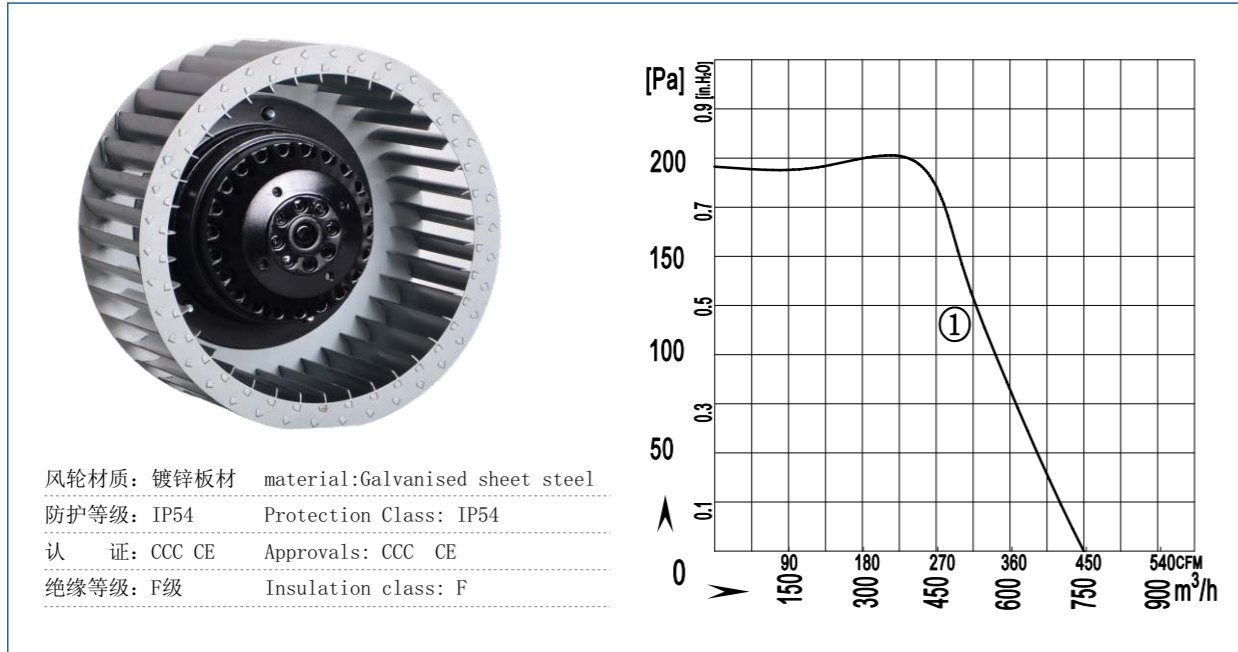
F160-70W 前倾离心风机 F160-70W Forward Centrifugal Fan



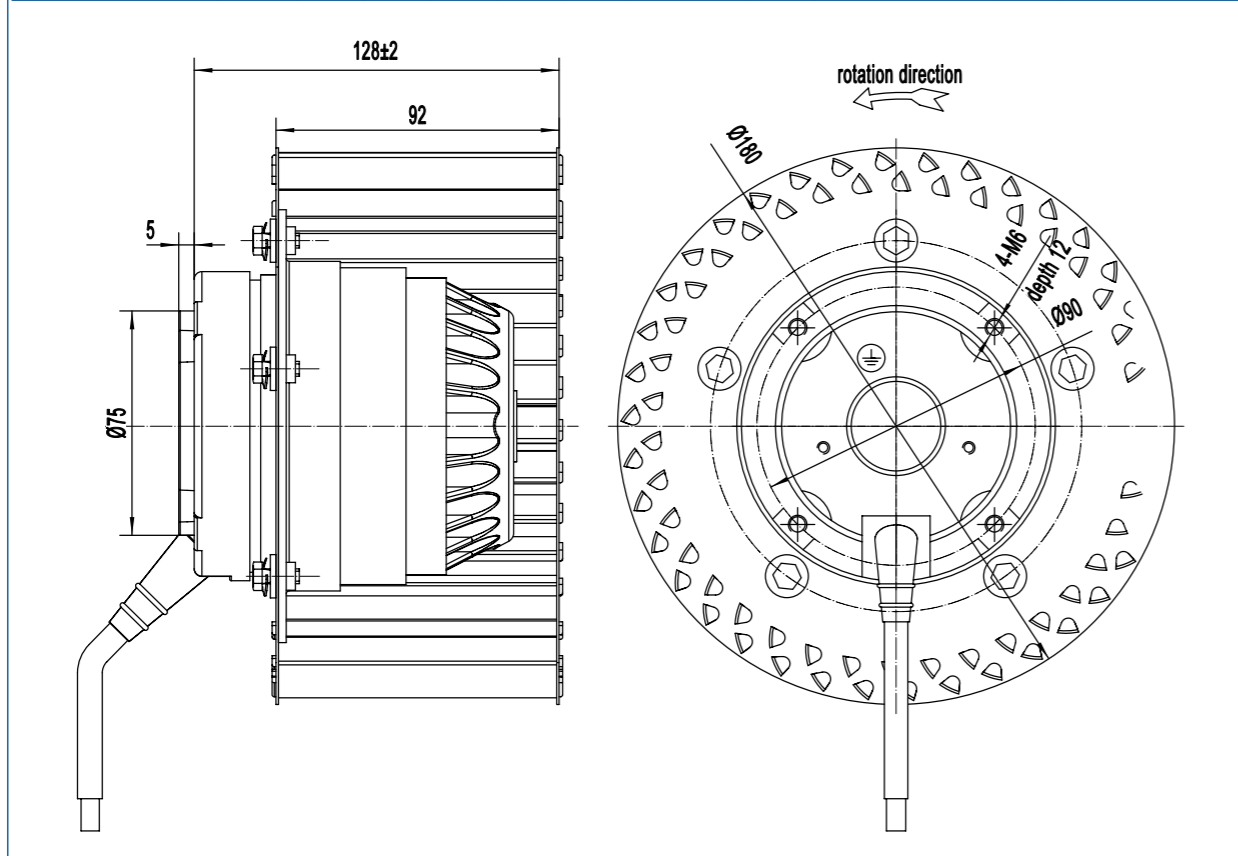
F160-70W 前倾离心风机 F160-70W Forward Centrifugal Fan



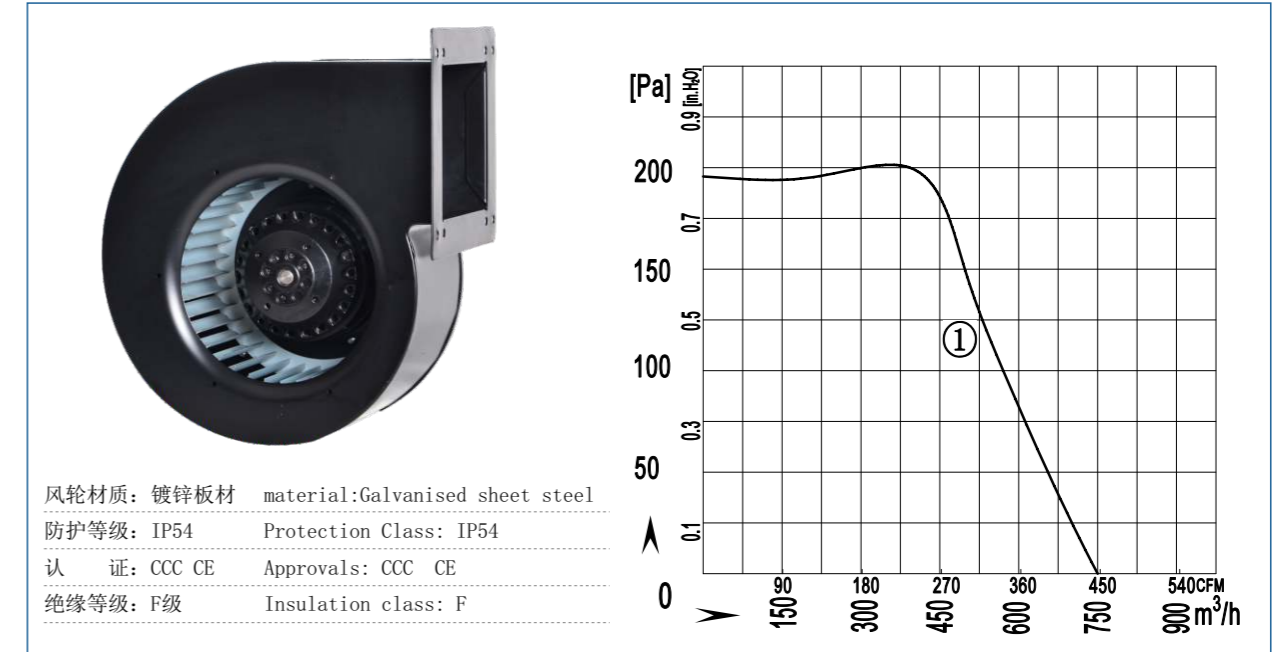
F180-92 前倾离心风机 F180-92 Forward Centrifugal Fan



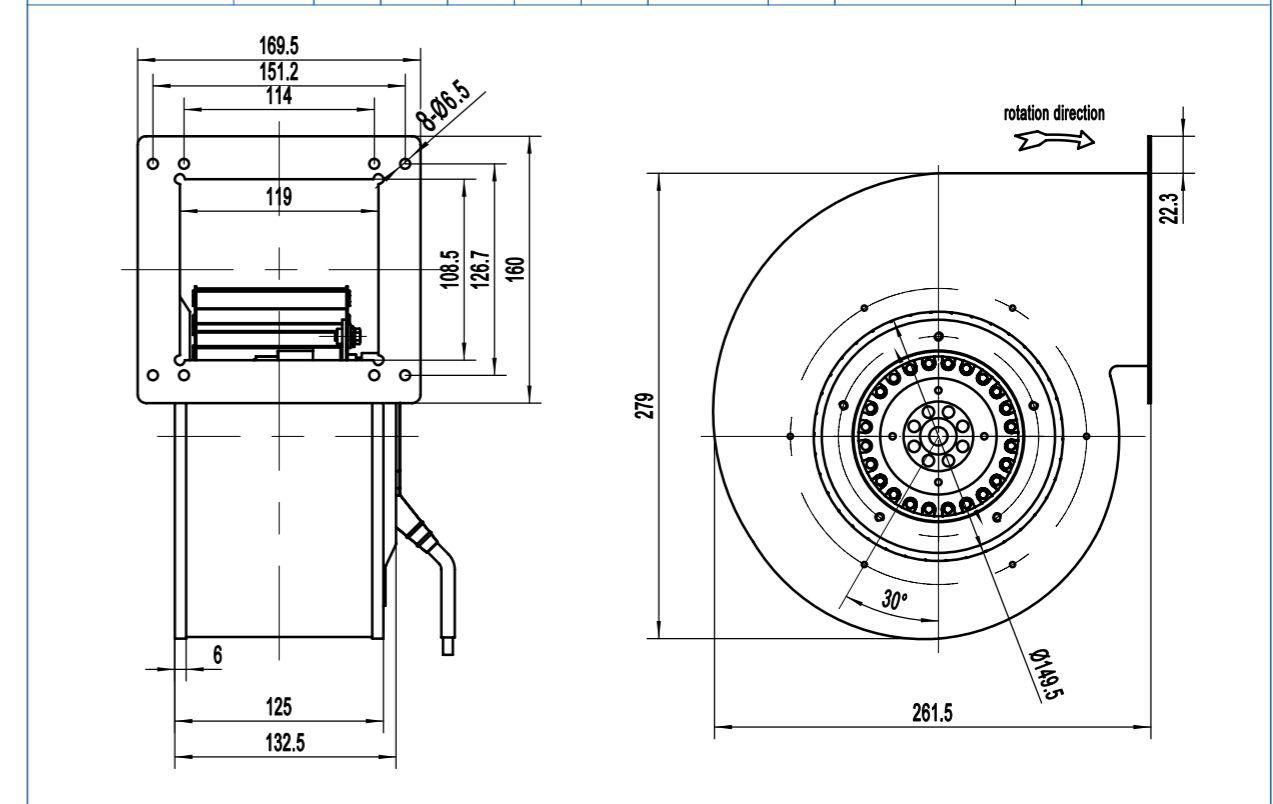
Type	Voltage	Frequency	Current	Input Power	Speed	Capacitor	Air Flow	Noise	Temperature	Curve No.	Approvals
Type	V	Hz	A	W	rpm	μF	m³/h / CFM	dB(A)	Min / Max(°C)	#	
F4E180-092A-AL00	220/230	50	0.52	85	1450	3	750 / 441	69	-30 / +60	①	CCC,CE,RoHS



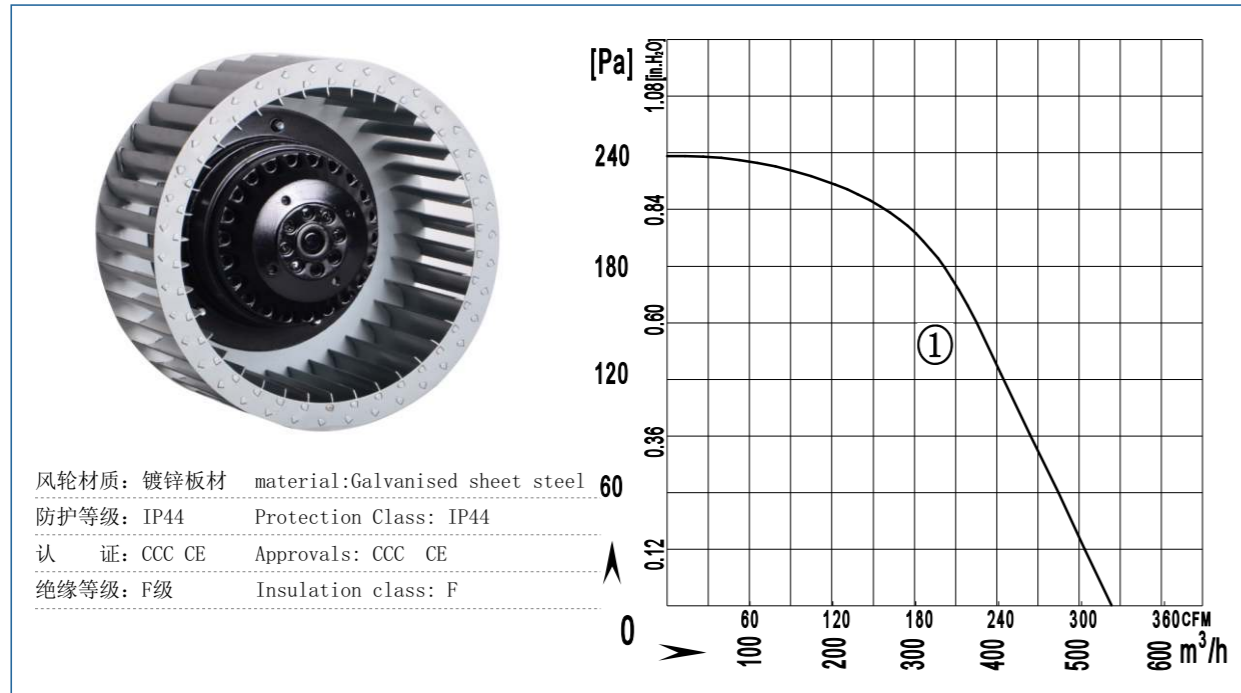
F180-92W 前倾离心风机 F180-92W Forward Centrifugal Fan



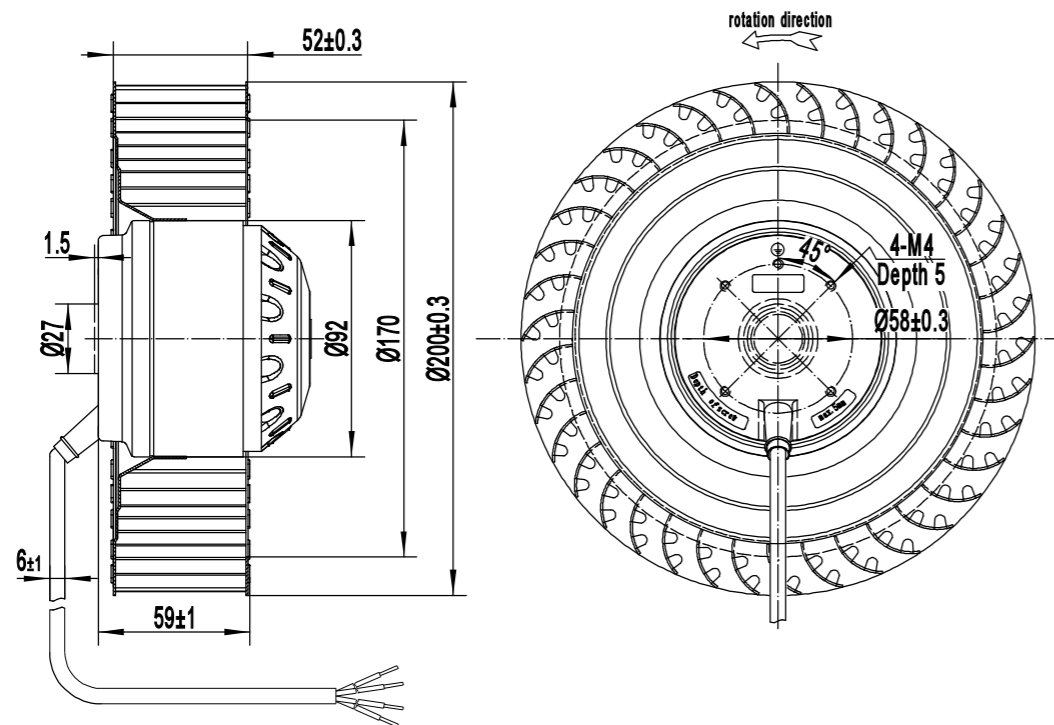
Type	Voltage	Frequency	Current	Input Power	Speed	Capacitor	Air Flow	Noise	Temperature	Curve No.	Approvals
Type	V	Hz	A	W	rpm	μF	m³/h / CFM	dB(A)	Min / Max(°C)	#	
F4E180-092W-AL00	220/230	50	0.70	135	1330	3	750 / 441	63	-30 / +60	①	CCC,CE,RoHS



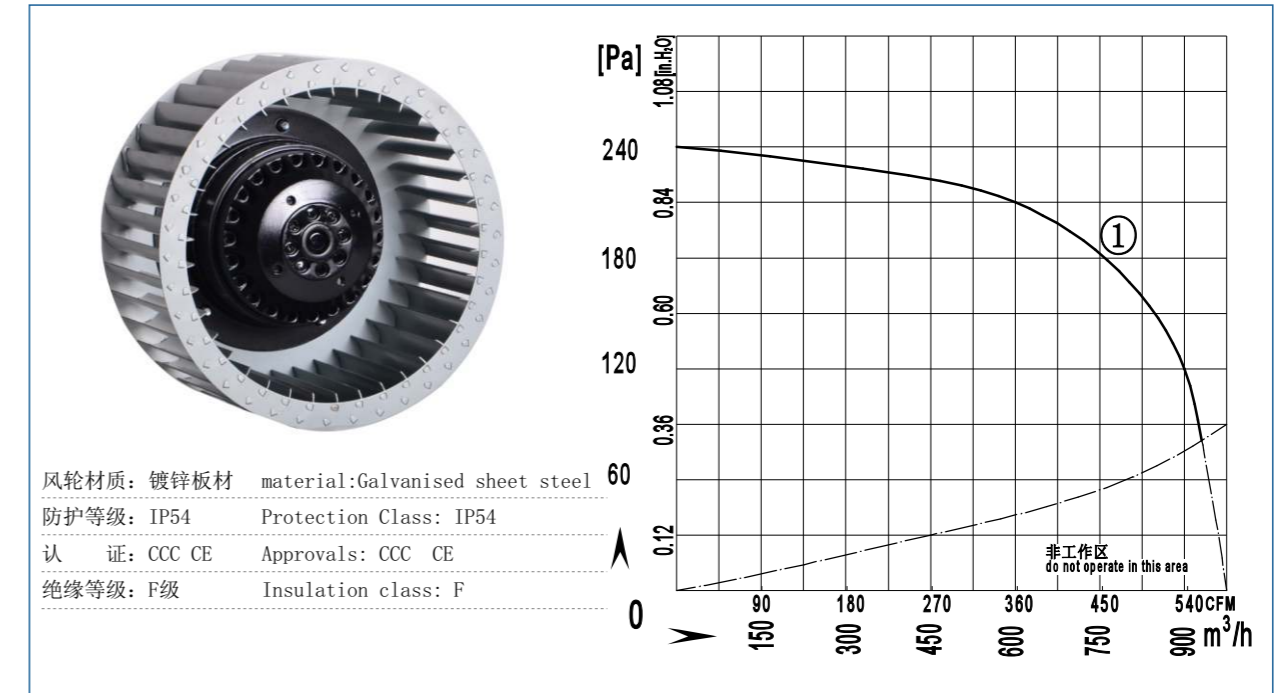
F200-052A 前倾离心风机 F200-052A Forward Centrifugal Fan



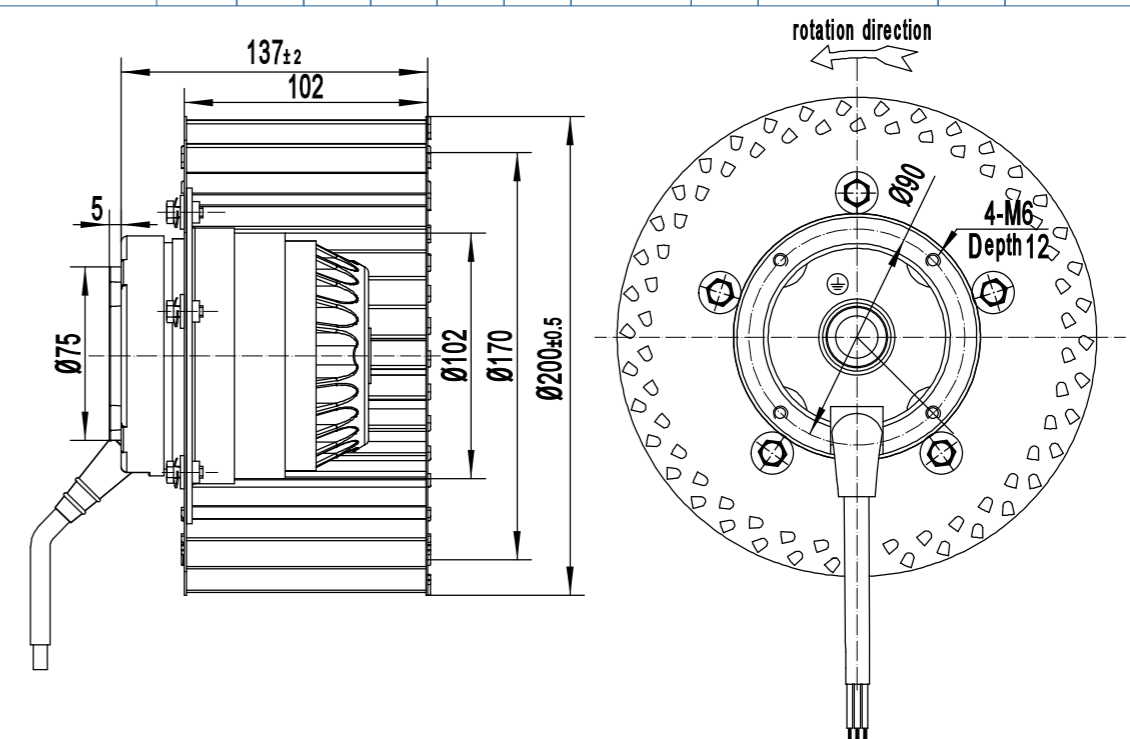
Type	Voltage	Frequency	Current	Input Power	Speed	Capacitor	Air Flow	Noise	Temperature	Curve No.	Approvals
Type	V	Hz	A	W	rpm	μF	m³/h / CFM	dB(A)	Min / Max(°C)	#	Approvals
F4E200-052A-AE00	220~230	50	0.55	120	1300	3/500	540 / 315	58	-30 / +60	①	CCC,CE,RoHS



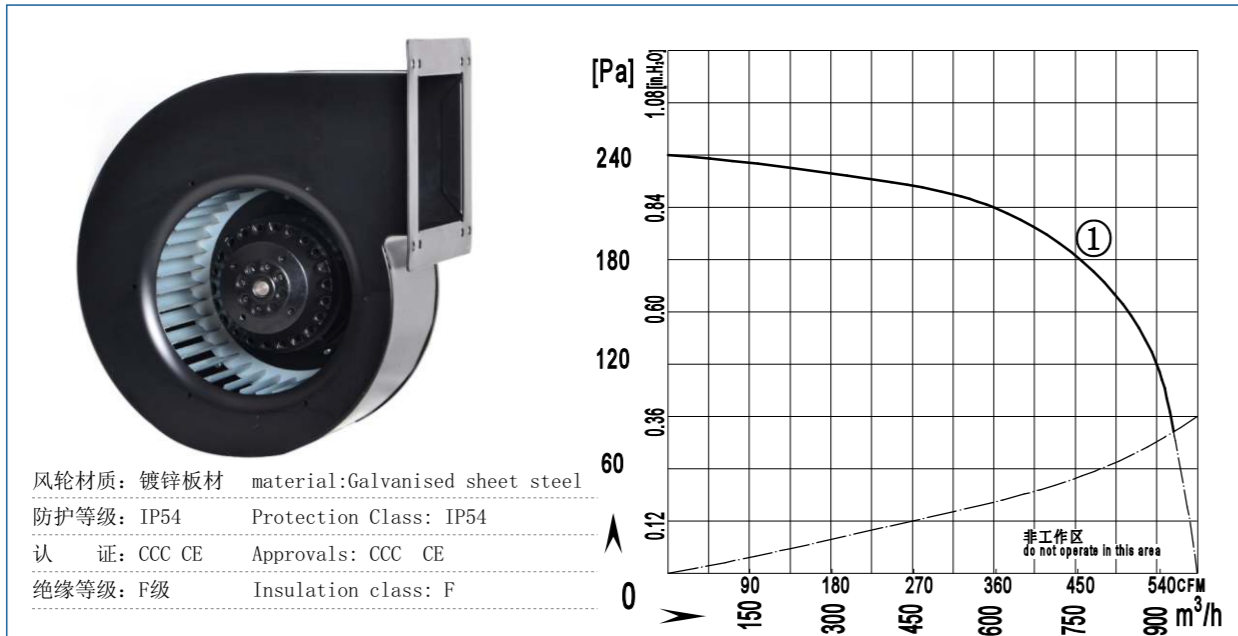
F200-102A 前倾离心风机 F200-102A Forward Centrifugal Fan



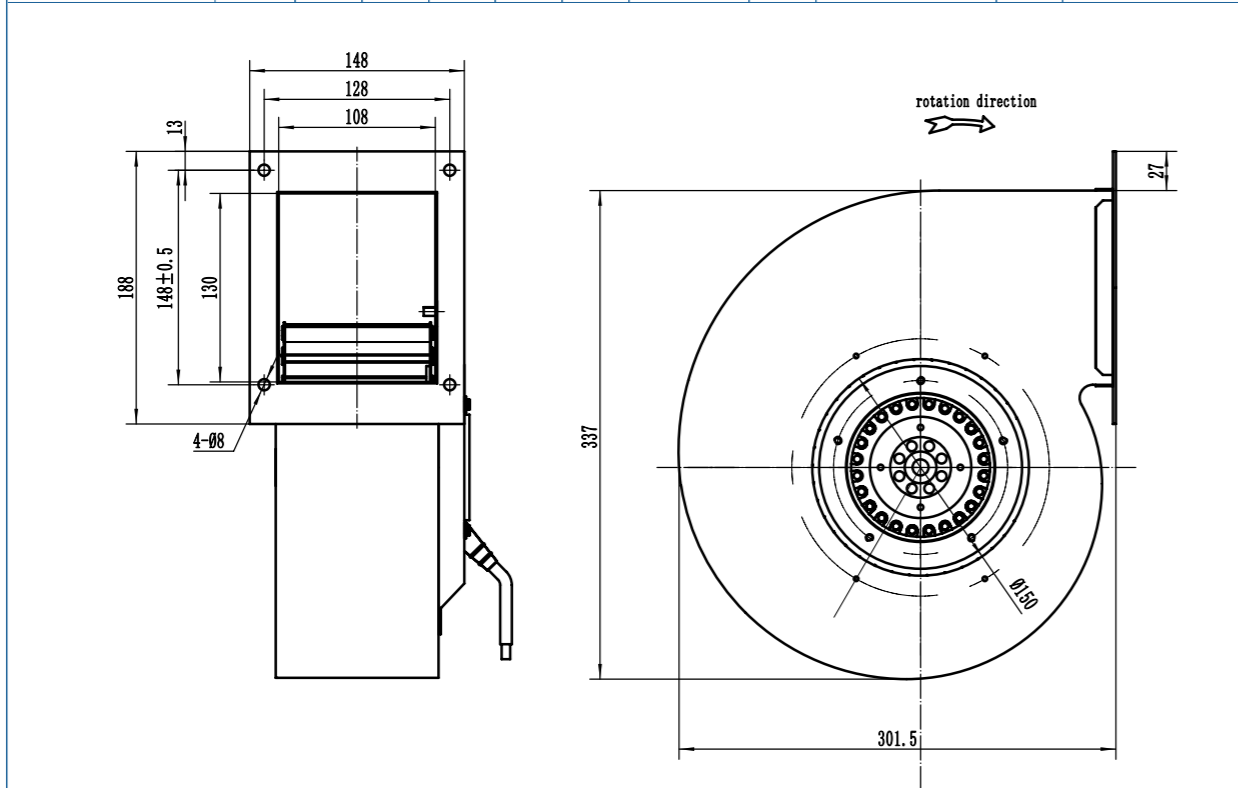
Type	Voltage	Frequency	Current	Input Power	Speed	Capacitor	Air Flow	Noise	Temperature	Curve No.	Approvals
Type	V	Hz	A	W	rpm	μF	m³/h / CFM	dB(A)	Min / Max(°C)	#	Approvals
F4E200-102A-AM00	220/230	50	0.95	200	1300	6	1000 / 588	66	-30 / +60	①	CCC,CE,RoHS
F4D200-102A-AM00	380/400	50	0.60	200	1300	/	1000 / 588	66	-30 / +60	①	CCC,CE,RoHS



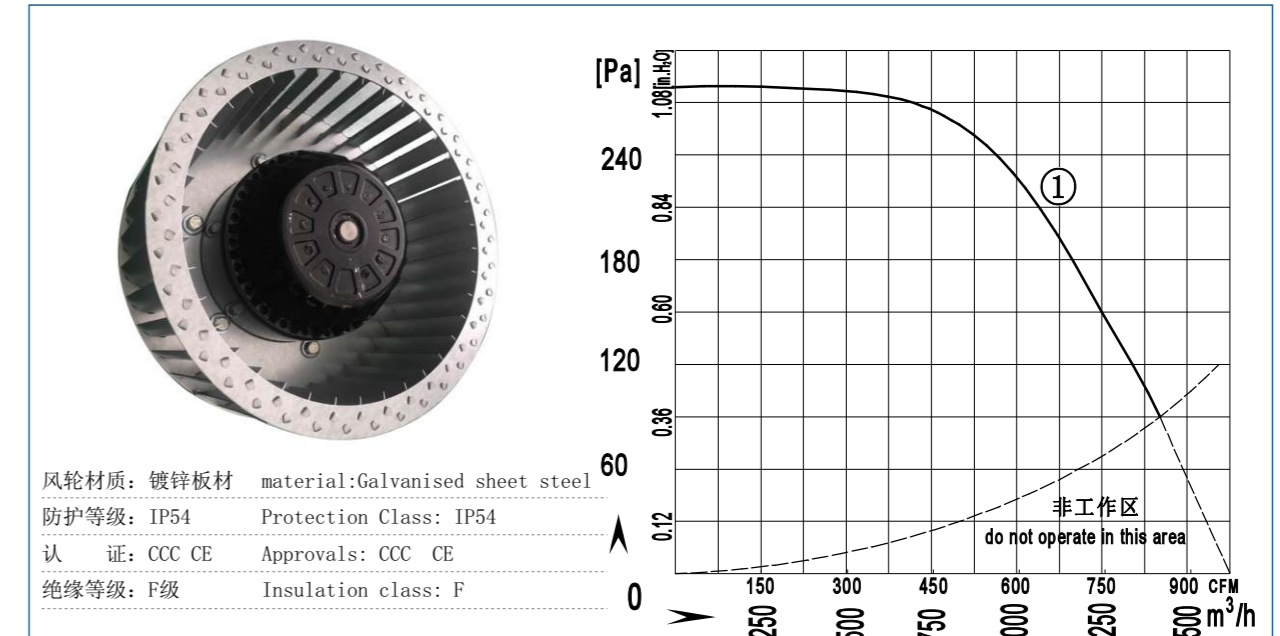
F200-102W 前倾离心风机 F200-102W Forward Centrifugal Fan



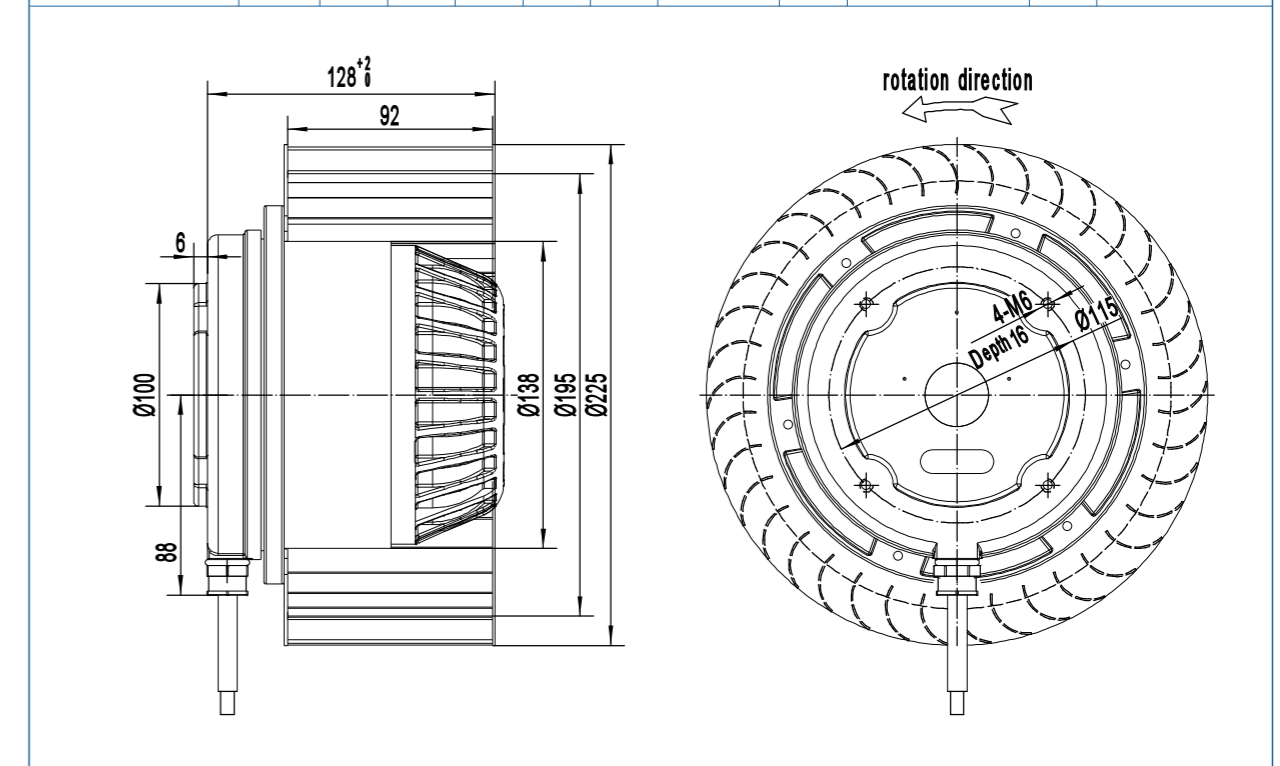
Type	Voltage	Frequency	Current	Input Power	Speed	Capacitor	Air Flow	Noise	Temperature	Curve No.	Approvals
Type	V	Hz	A	W	rpm	μF	m³/h / CFM	dB(A)	Min / Max(°C)	#	
F4E200-102W-AM00	220/230	50	0.95	200	1300	6	1000 / 588	66	-30 / +60	①	CCC,CE,RoHS
F4D200-102W-AM00	220/230	50	0.60	200	1300	/	1000 / 588	66	-30 / +60	①	CCC,CE,RoHS



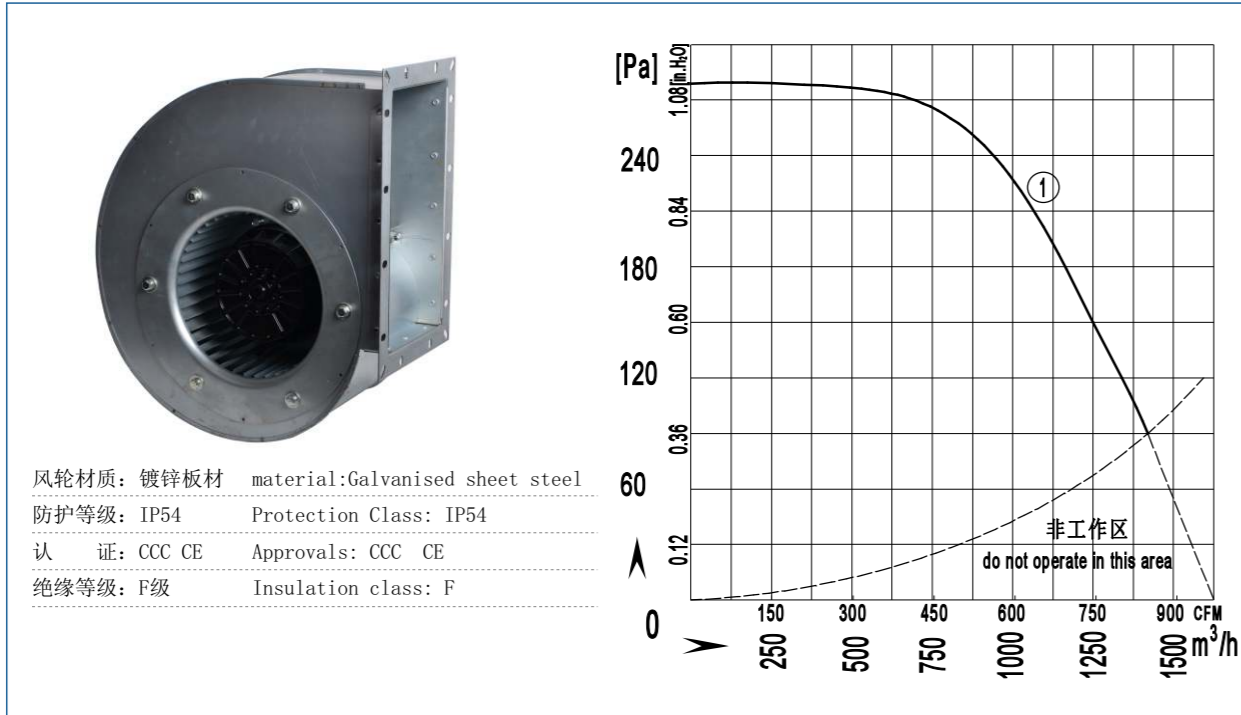
F225-092A 前倾离心风机 F225-092A Forward Centrifugal Fan



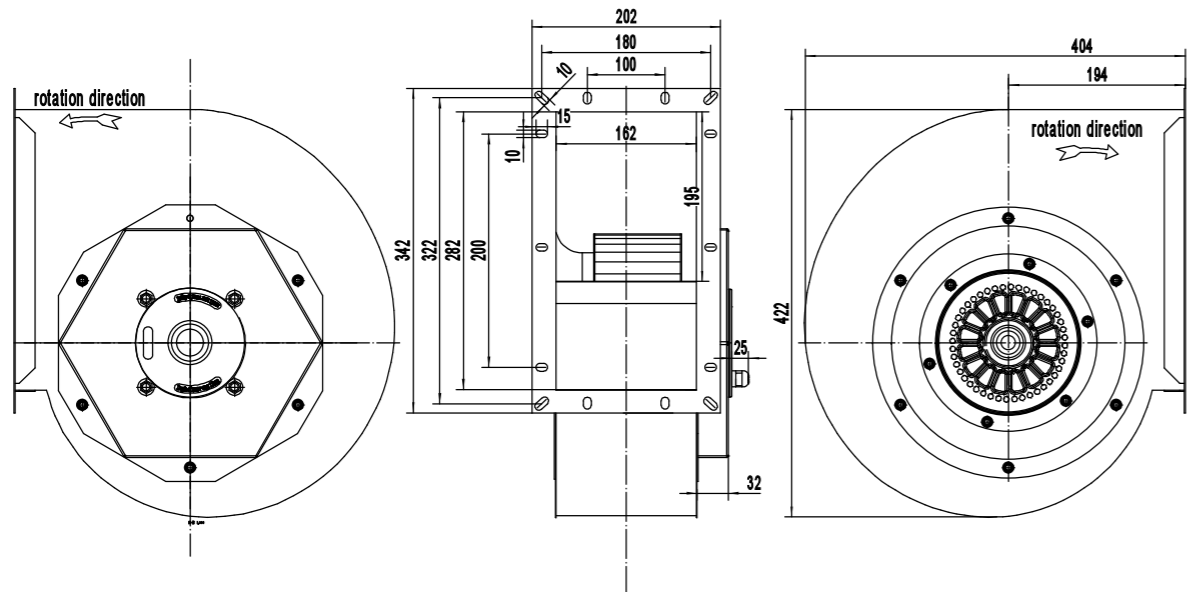
Type	Voltage	Frequency	Current	Input Power	Speed	Capacitor	Air Flow	Noise	Temperature	Curve No.	Approvals
Type	V	Hz	A	W	rpm	μF	m³/h / CFM	dB(A)	Min / Max(°C)	#	
F4E225-092A-AS00	220/230	50	1.9	400	1390	12	1400 / 823	73	-30 / +60	①	CCC,CE,RoHS
F4D225-092A-AS00	380/400	50	1.1	400	1390	/	1400 / 823	73	-30 / +60	①	CCC,CE,RoHS



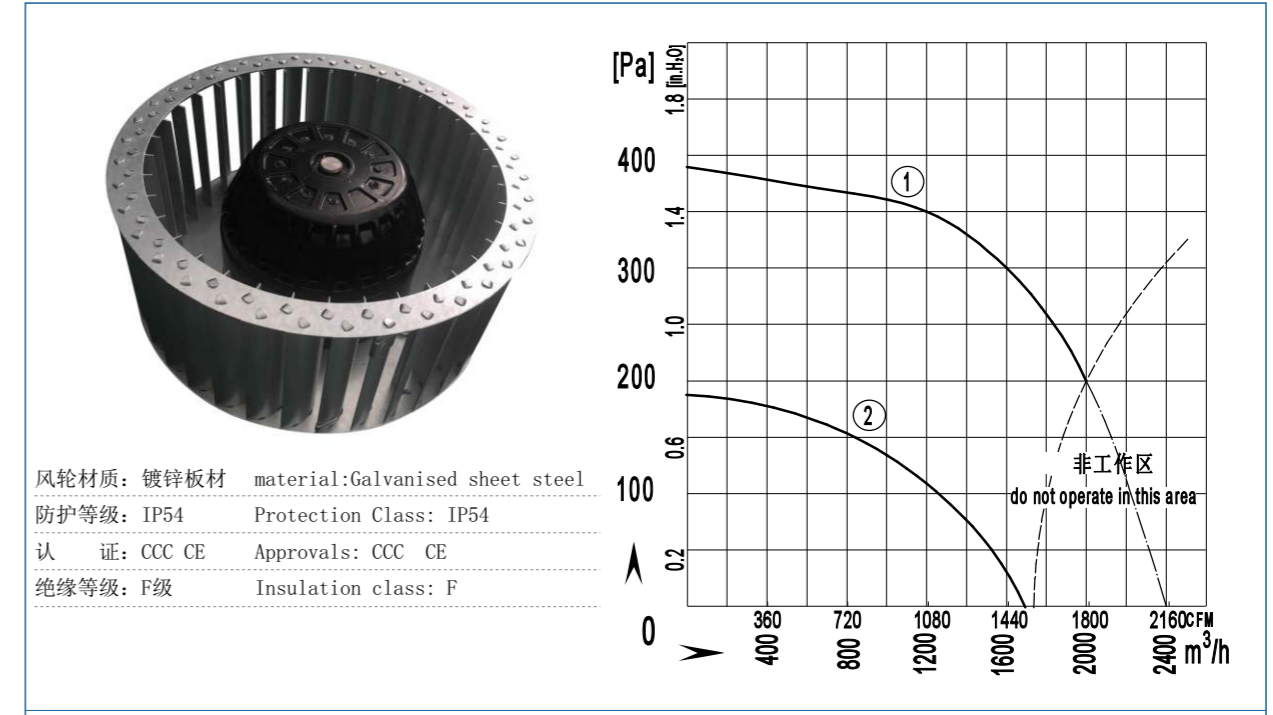
F225-092W 前倾离心风机 F225-092W Forward Centrifugal Fan



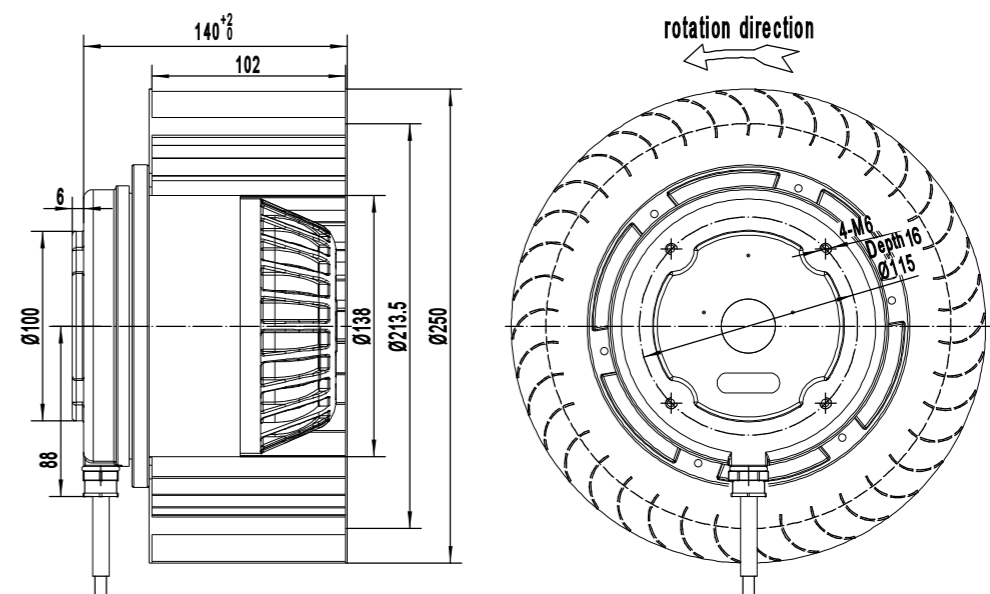
Type	Voltage	Frequency	Current	Input Power	Speed	Capacitor	Air Flow	Noise	Temperature	Curve No.	Approvals
Type	V	Hz	A	W	rpm	μF	m³/h / CFM	dB(A)	Min / Max(°C)	#	
F4E225-092W-AS00	220/230	50	1.9	400	1390	12	1400 / 823	73	-30 / +60	①	CCC ,CE, RoHS
F4D225-092W-AS00	380/400	50	1.1	400	1390	/	1400 / 823	73	-30 / +60	①	CCC ,CE, RoHS



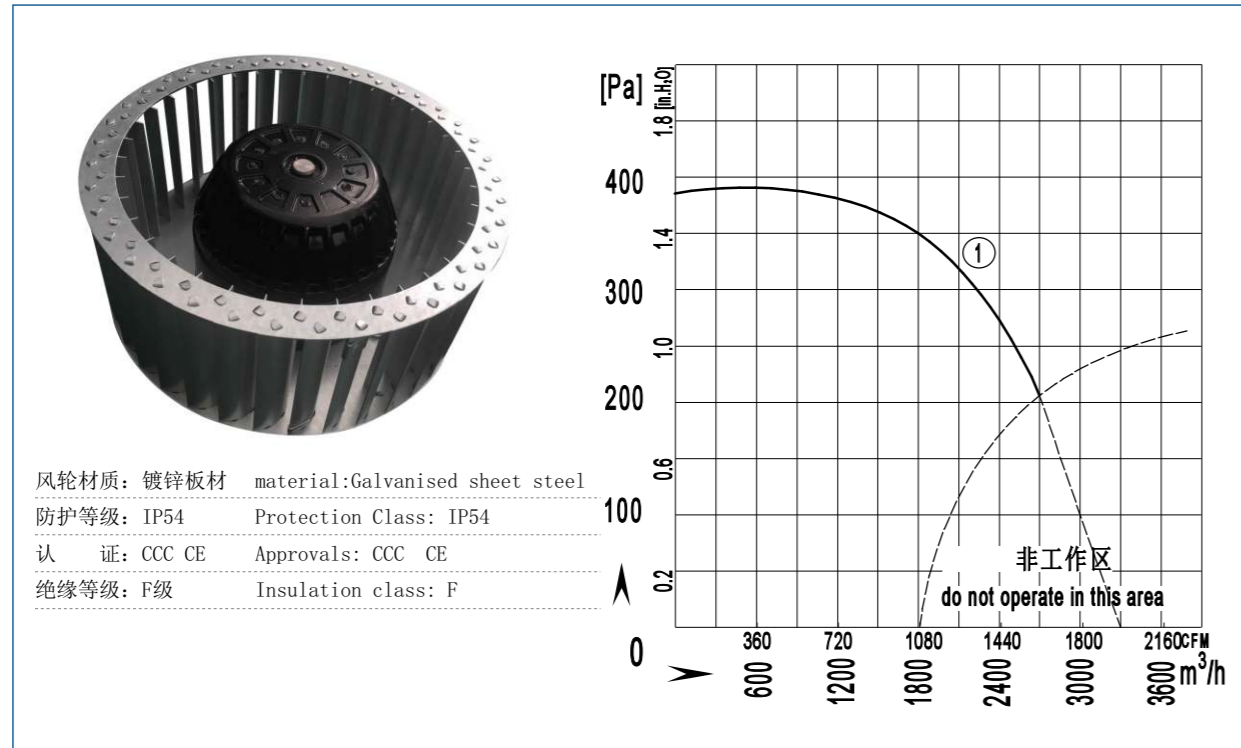
F250-102A 前倾离心风机 F250-102A Forward Centrifugal Fan



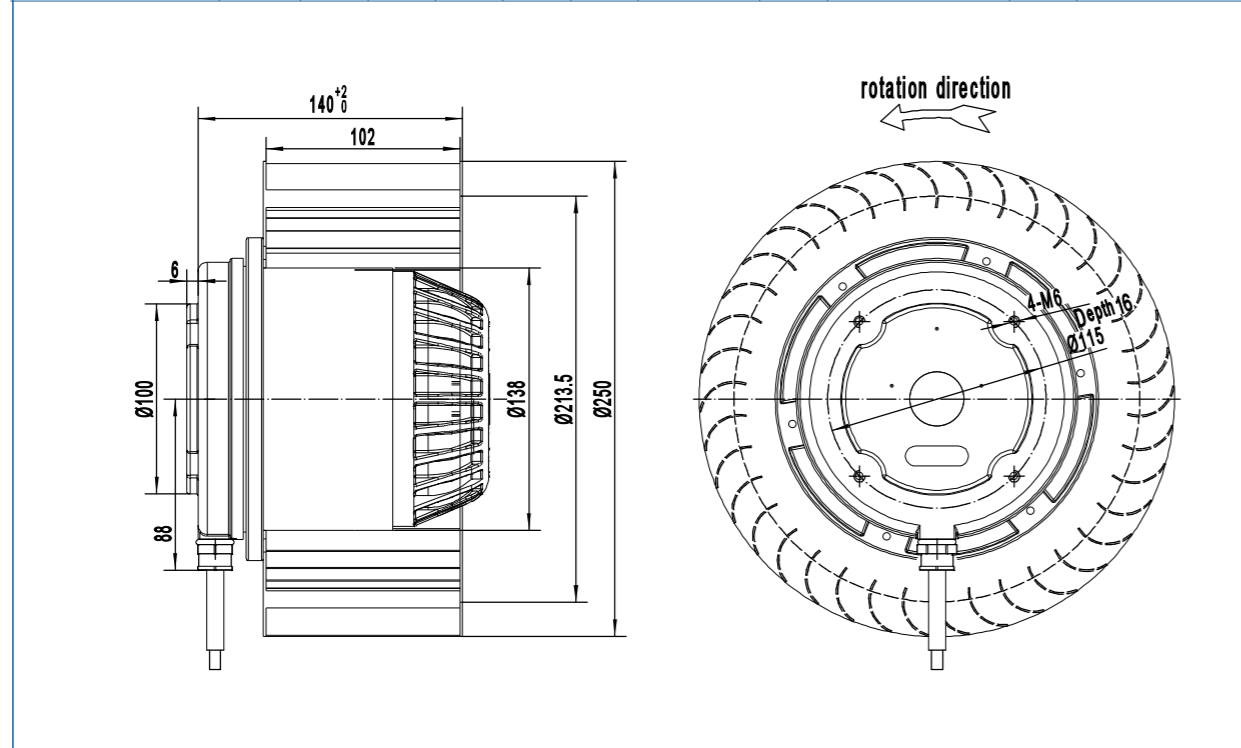
Type	Voltage	Frequency	Current	Input Power	Speed	Capacitor	Air Flow	Noise	Temperature	Curve No.	Approvals
Type	V	Hz	A	W	rpm	μF	m³/h / CFM	dB(A)	Min / Max(°C)	#	
F4E250-102A-AS00	220/230	50	3.0	630	1300	12	2400 / 1411	74	-30 / +60	①	CCC ,CE, RoHS
F4D250-102A-AS00	380/400	50	1.2	630	1300	/	2400 / 1411	74	-30 / +60	①	CCC ,CE, RoHS
F6E250-102A-AS00	220/230	50	1.6	340	900	8	1650 / 970	67	-30 / +60	②	CCC ,CE, RoHS
F6D250-102A-AS00	380/400	50	0.73	340	1350	/	1650 / 970	67	-30 / +60	②	CCC ,CE, RoHS



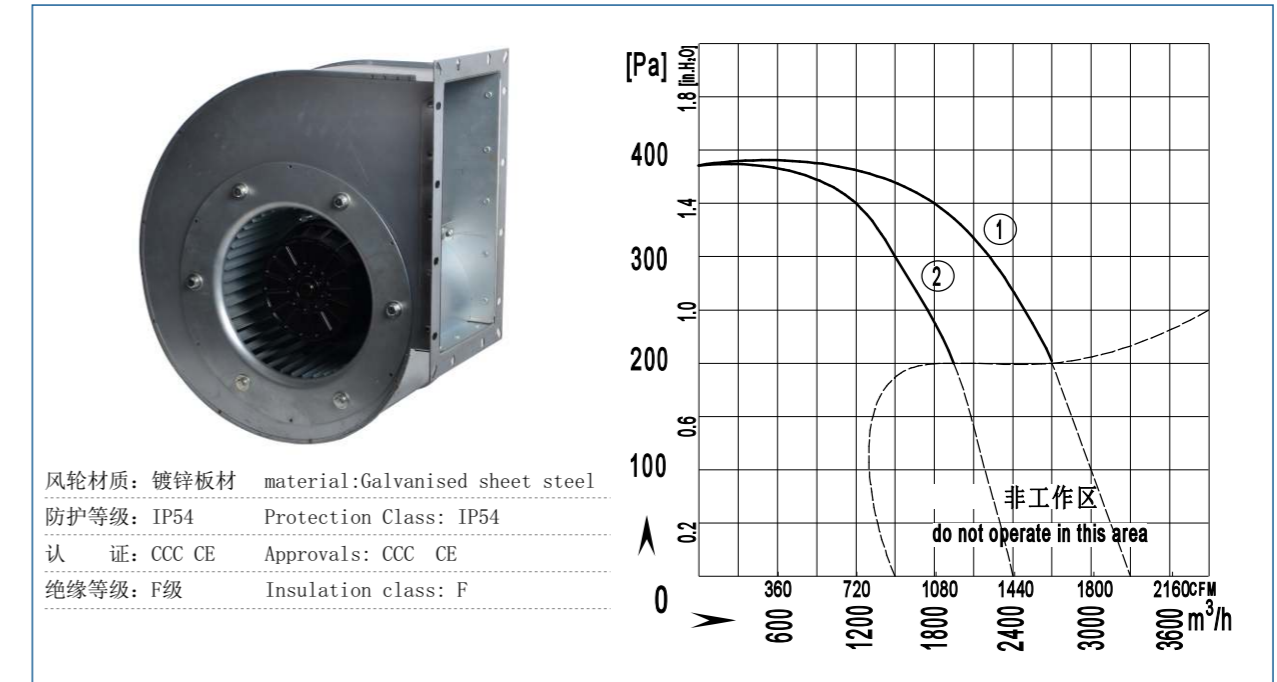
F250-102A 前倾离心风机 F250-102A Forward Centrifugal Fan



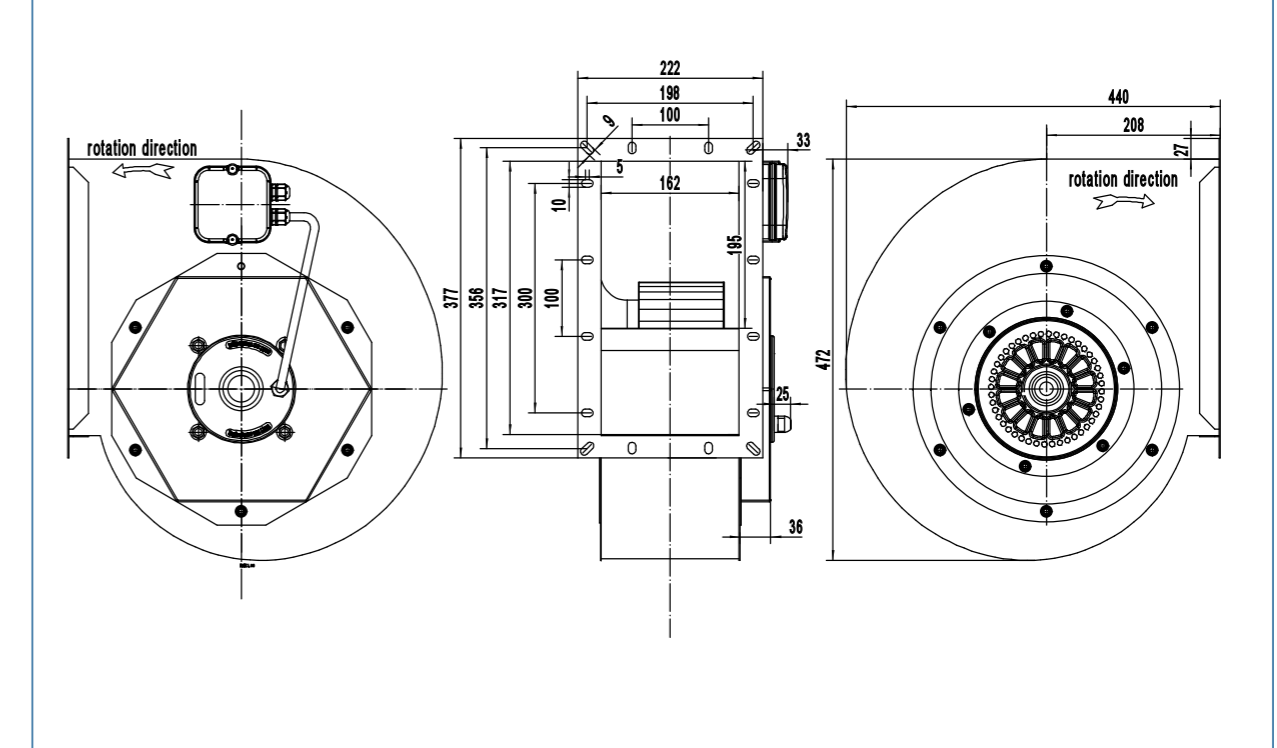
Type	Voltage	Frequency	Current	Input Power	Speed	Capacitor	Air Flow	Noise	Temperature	Curve No.	Approvals
Type	V	Hz	A	W	rpm	μF	m³/h/CFM	dB(A)	Min / Max(°C)	#	
F4D250-102A-AT00	380/400	50	1.6	850	1350	/	3300/1941	74	-30 / +60	①	CCC ,CE, RoHS



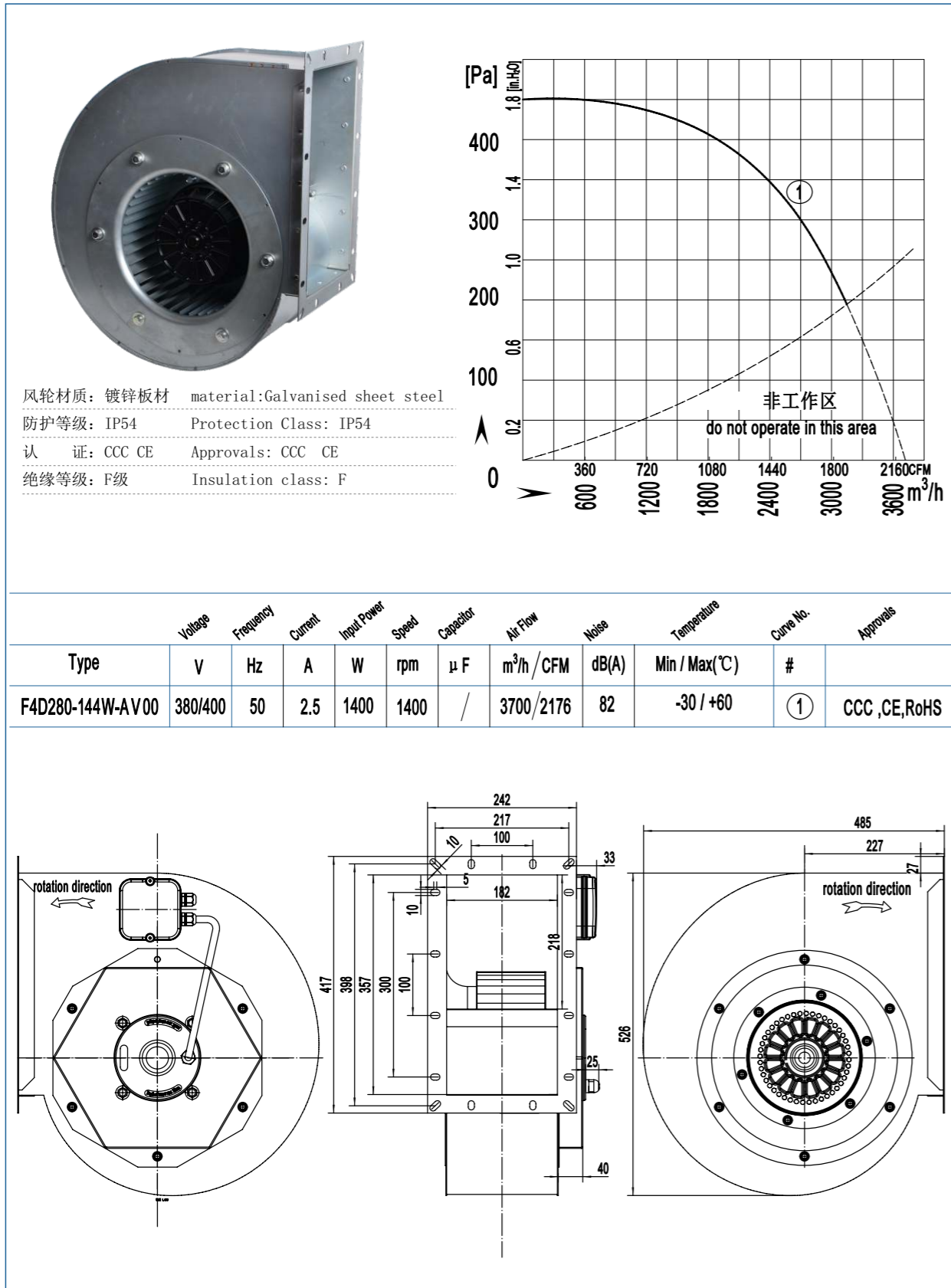
F250-102W 前倾离心风机 F250-102W Forward Centrifugal Fan



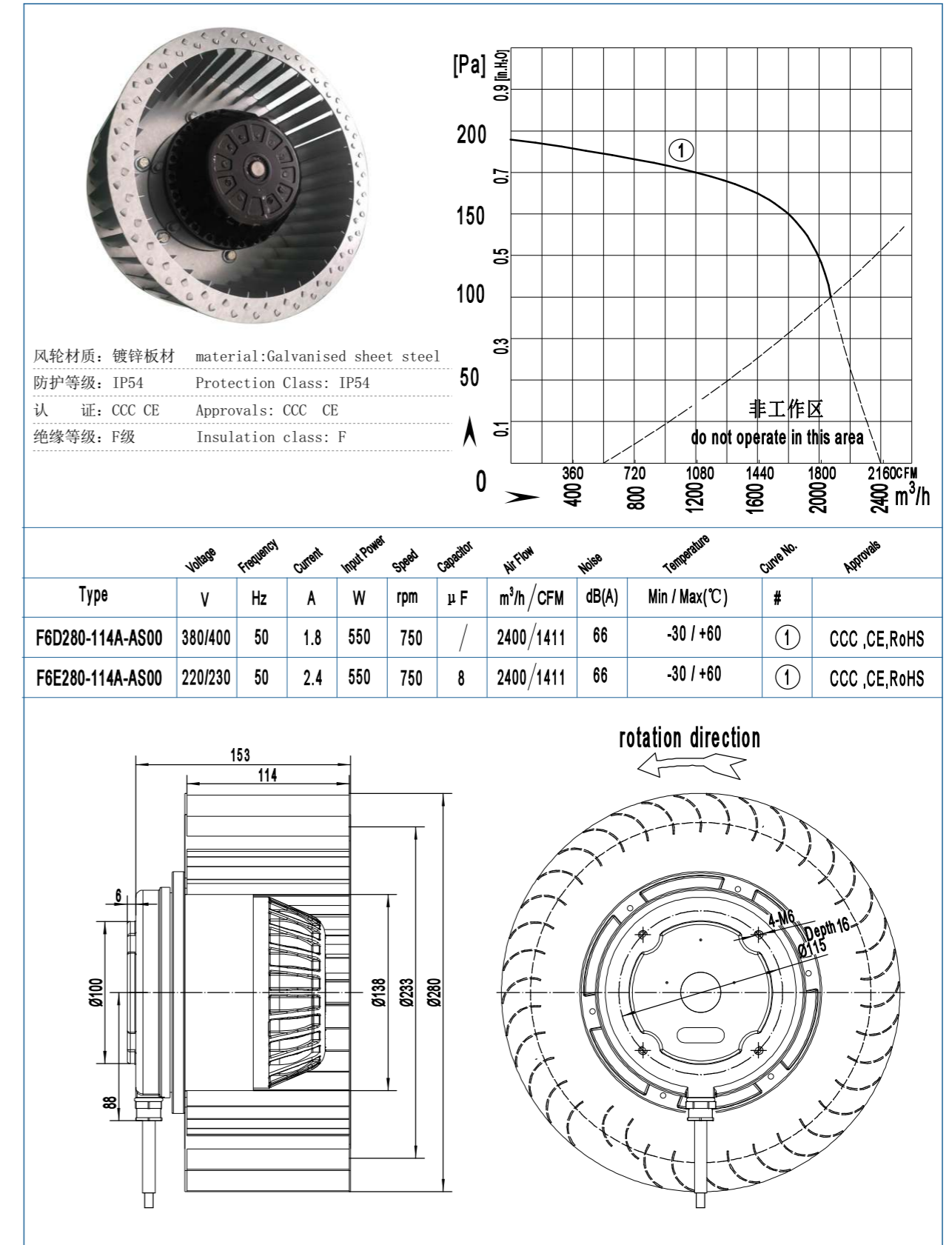
Type	Voltage	Frequency	Current	Input Power	Speed	Capacitor	Air Flow	Noise	Temperature	Curve No.	Approvals
Type	V	Hz	A	W	rpm	μF	m³/h/CFM	dB(A)	Min / Max(°C)	#	
F4D250-102W-AT00	380/400	50	1.6	850	1350	/	3300/1941	80	-30 / +60	①	CCC ,CE, RoHS
F4D250-102W-AS00	380/400	50	1.2	630	1300	/	2400/1411	74	-30 / +60	②	CCC ,CE, RoHS



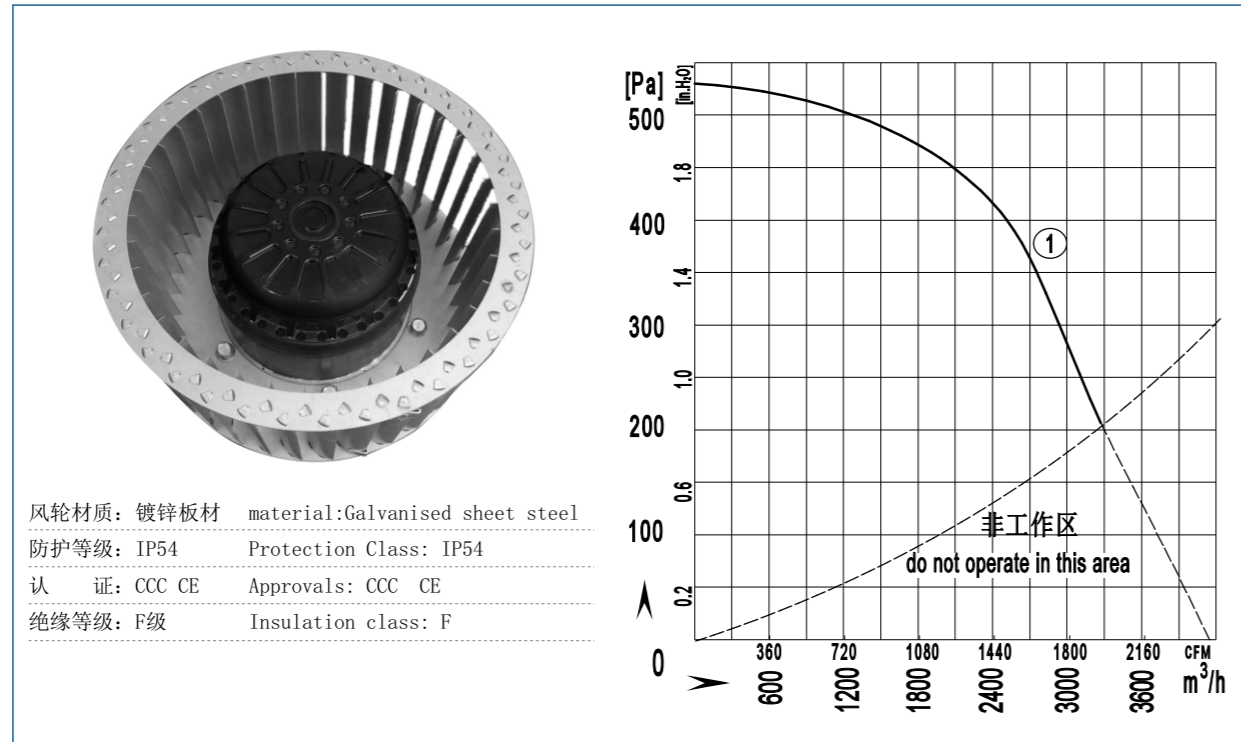
F280-144W 前倾离心风机 F280-144W Forward Centrifugal Fan



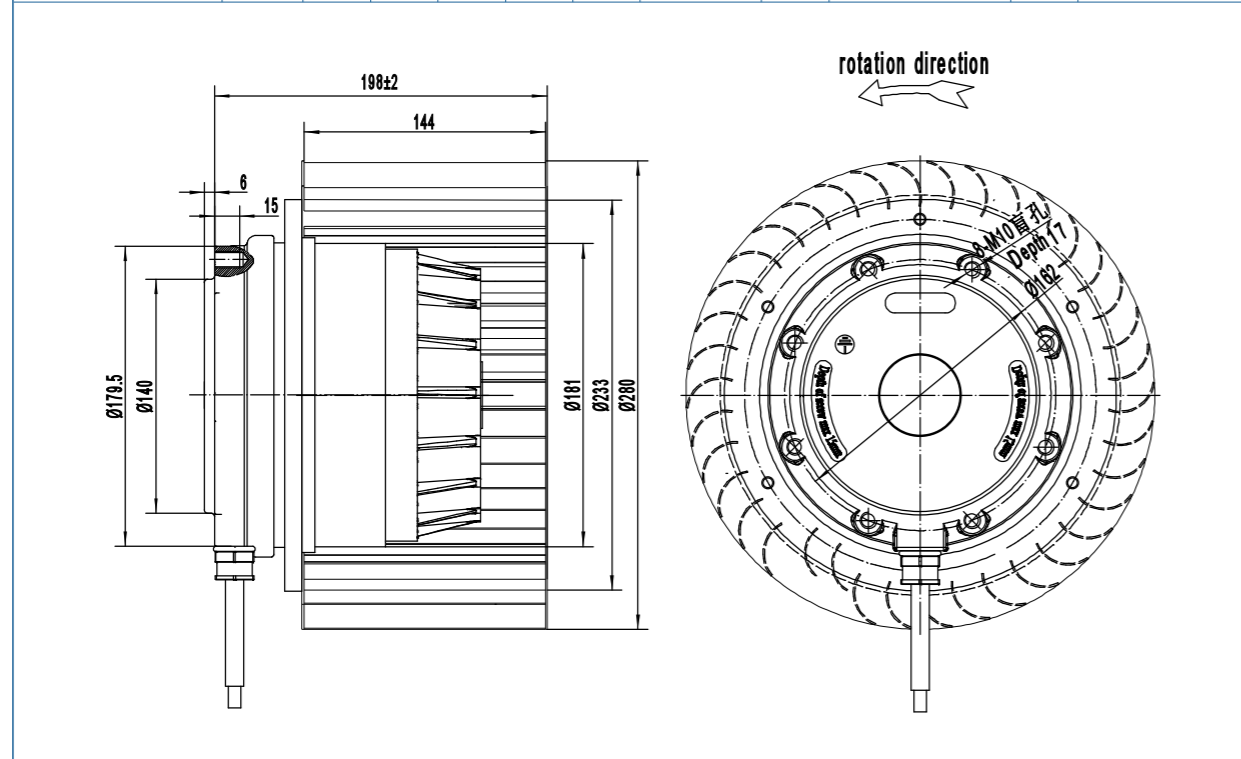
F280-114A 前倾离心风机 F280-114A Forward Centrifugal Fan



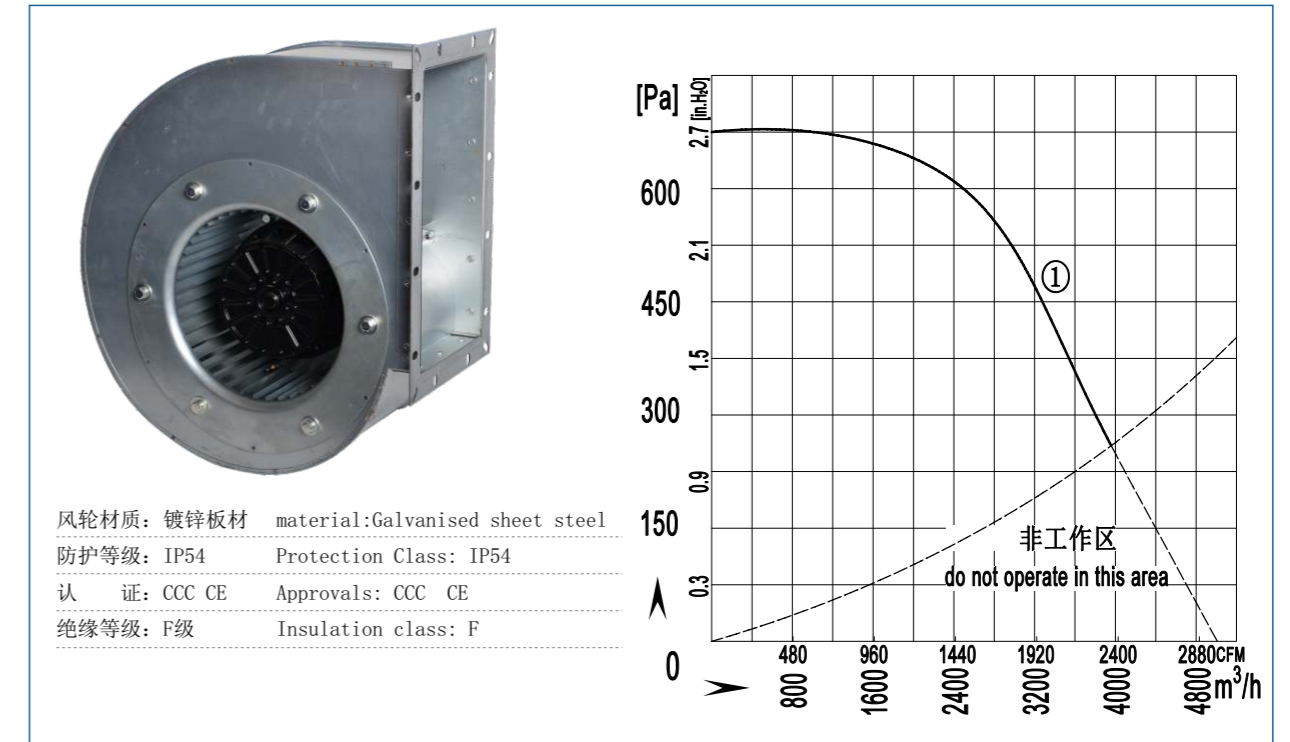
F280-144A 前倾离心风机 F280-144A Forward Centrifugal Fan



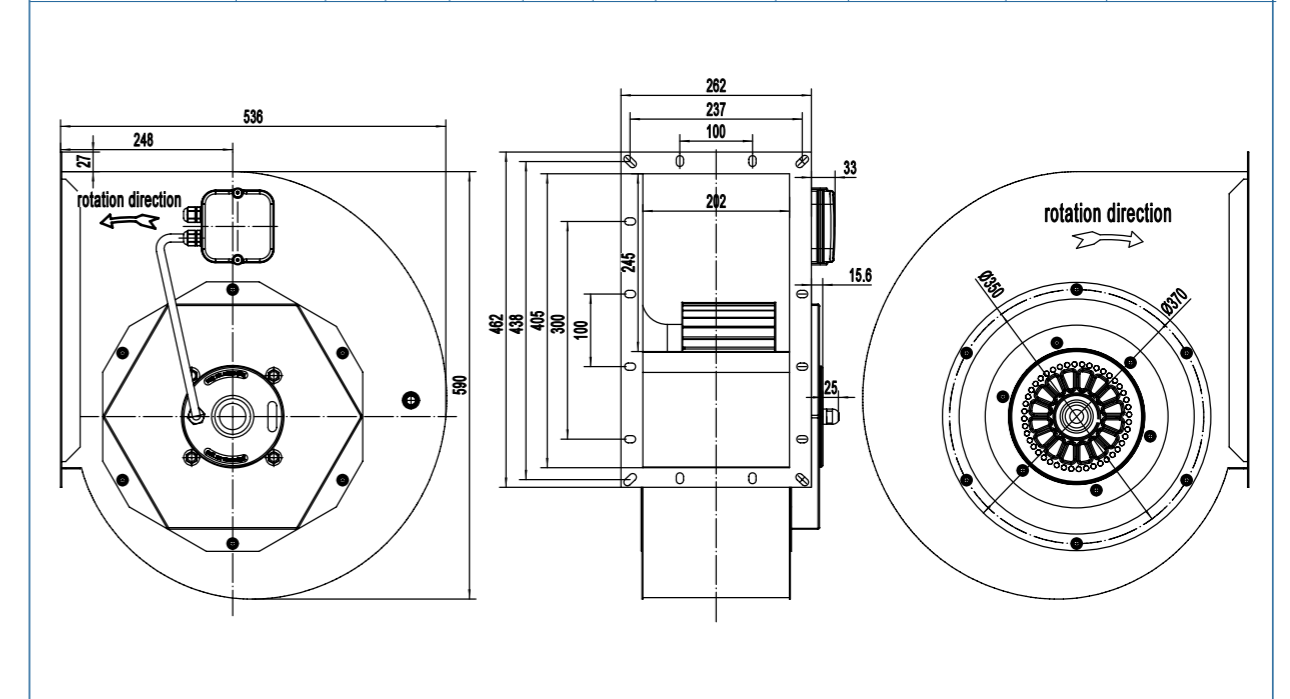
Type	Voltage	Frequency	Current	Input Power	Speed	Capacitor	Air Flow	Noise	Temperature	Curve No.	Approvals
Type	V	Hz	A	W	rpm	μF	m³/h / CFM	dB(A)	Min / Max(°C)	#	
F4D280-144W-AV00	380/400	50	2.5	1400	1400	/	4100/2411	82	-30 / +60	①	CCC, CE, RoHS



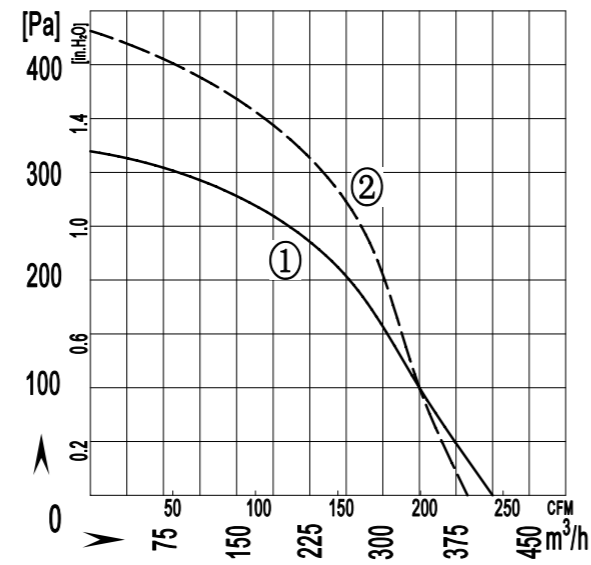
F315-150W 前倾离心风机 F315-150W Forward Centrifugal Fan



Type	Voltage	Frequency	Current	Input Power	Speed	Capacitor	Air Flow	Noise	Temperature	Curve No.	Approvals
Type	V	Hz	A	W	rpm	μF	m³/h / CFM	dB(A)	Min / Max(°C)	#	
F4D315-150W-AW00	380/400	50	3.7	2200	1350	/	5000/2941	85	-30 / +60	①	CCC, CE, RoHS

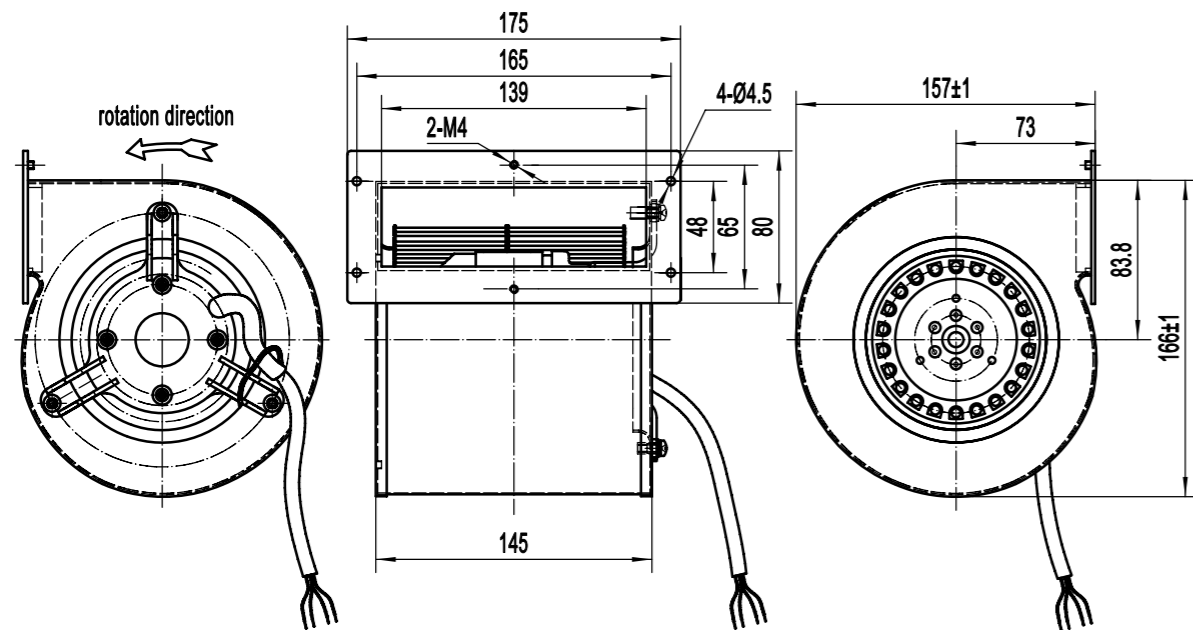


F120-120S 前倾离心风机 F120-120S Forward Centrifugal Fan

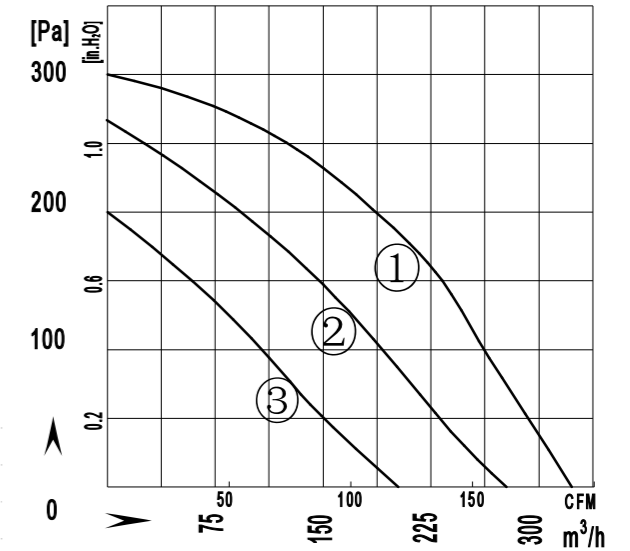


风轮材质: 镀锌板材 material: Galvanised sheet steel
 防护等级: IP44 Protection Class: IP44
 认证: CCC CE Approvals: CCC CE
 绝缘等级: F级 Insulation class: F

Type	Voltage	Frequency	Current	Input Power	Speed	Capacitor	Air Flow	Noise	Operating Temperature	Curve No.	Approvals
Type	V	Hz	A	W	rpm	μF	m³/h/CFM	dB(A)	Min / Max(°C)	#	
F2E120-120S-AA00	220/230	50	0.40	85	2100	1.5	400 / 235	66	-30 / +60	①	CCC,CE,RoHS
	220/230	60	0.43	95	2100	1.5	380 / 223	66	-30 / +60	②	CCC,CE,RoHS

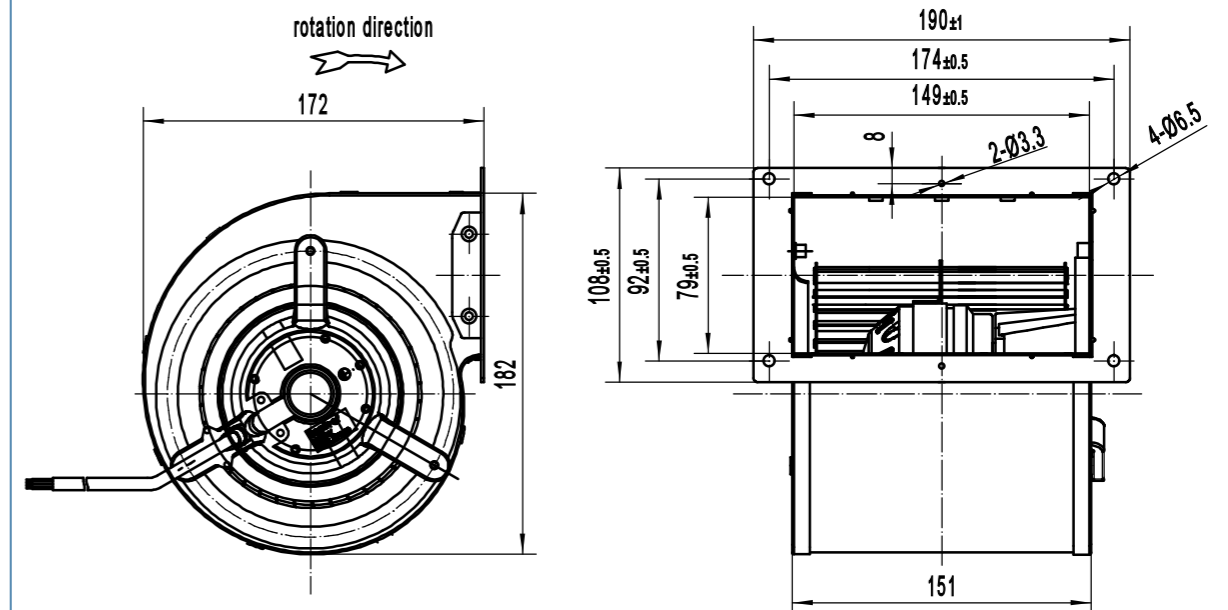


F133-126S 前倾离心风机 F133-126S Forward Centrifugal Fan

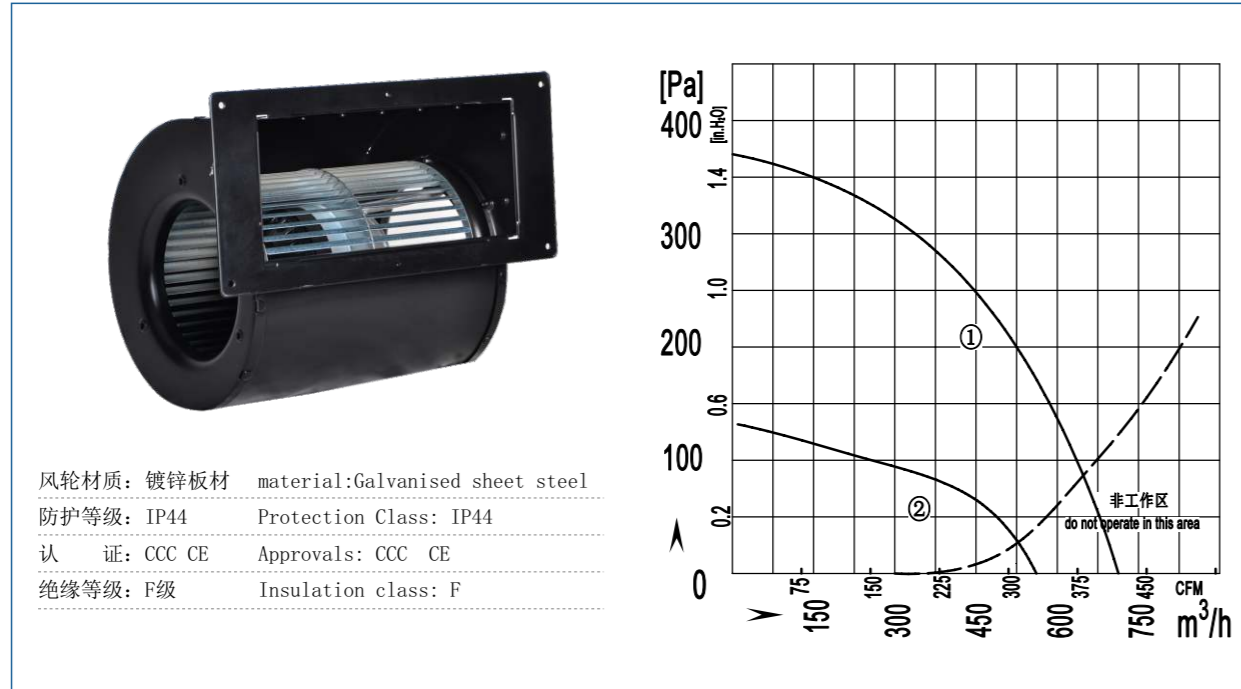


风轮材质: 镀锌板材 material: Galvanised sheet steel
 防护等级: IP44 Protection Class: IP44
 认证: CCC CE Approvals: CCC CE
 绝缘等级: F级 Insulation class: F

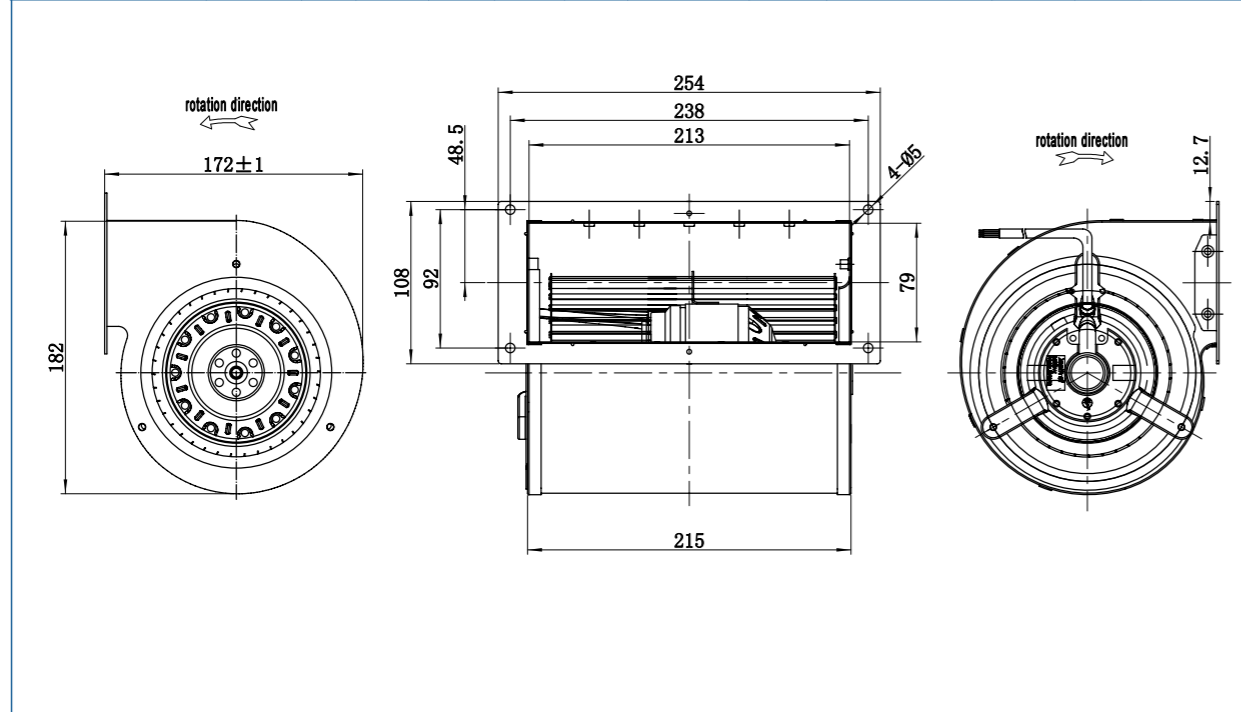
Model No.	Voltage	Frequency	Current	Input Power	Speed	Capacitor	Air Flow	Noise	Operating Temperature	Curve No.	Approvals
Model No.	V	Hz	A	W	rpm	μF	m³/h/CFM	dB(A)	Min / Max(°C)	#	
F2E133-126S-TA20	220/230	50	0.30	70	1450	1.5	320 / 188	40	-30 / +60	①	CCC,CE,RoHS
	220/230	50	0.26	60	1250	1.5	270 / 159	35	-30 / +60	②	CCC,CE,RoHS
	220/230	50	0.22	47	950	1.5	200 / 129	29	-30 / +60	③	CCC,CE,RoHS



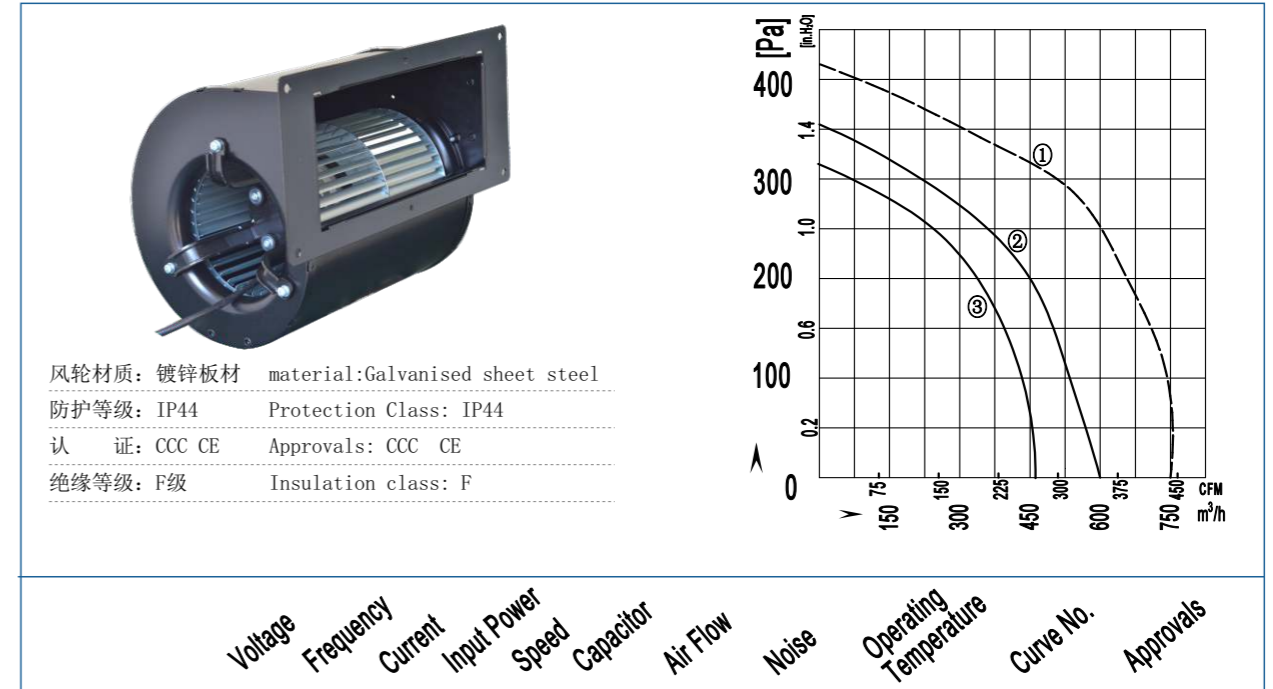
F133-190S 前倾离心风机
F133-190S Forward Centrifugal Fan



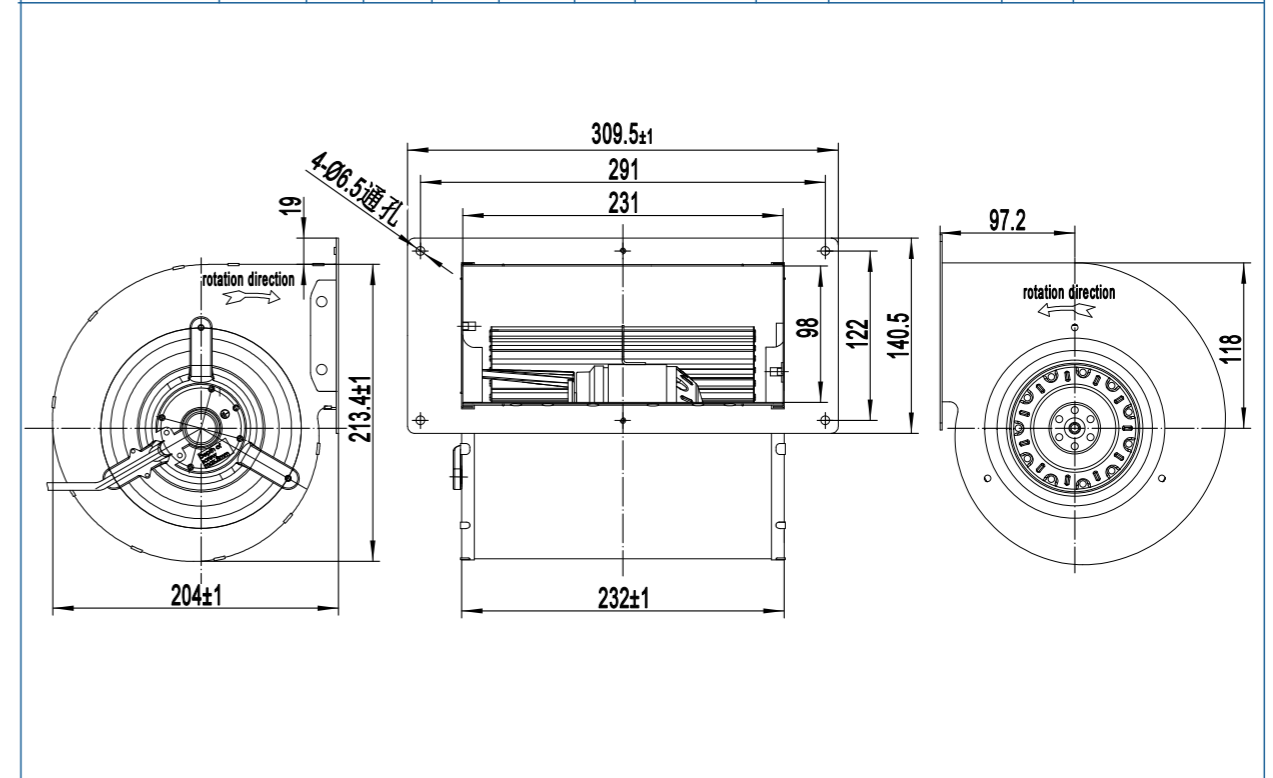
Type	V	Hz	A	W	rpm	μ F	m³/h/CFM	dB(A)	Min / Max(°C)	#	Approvals
F2E133-190S-AE00	220/230	50	0.85	190	1500	4	680 / 400	60	-30 / +60	①	CCC,CE,RoHS
F4E133-190S-AC00	220/230	50	0.35	75	1150	2	540 / 318	51	-30 / +60	②	CCC,CE,RoHS



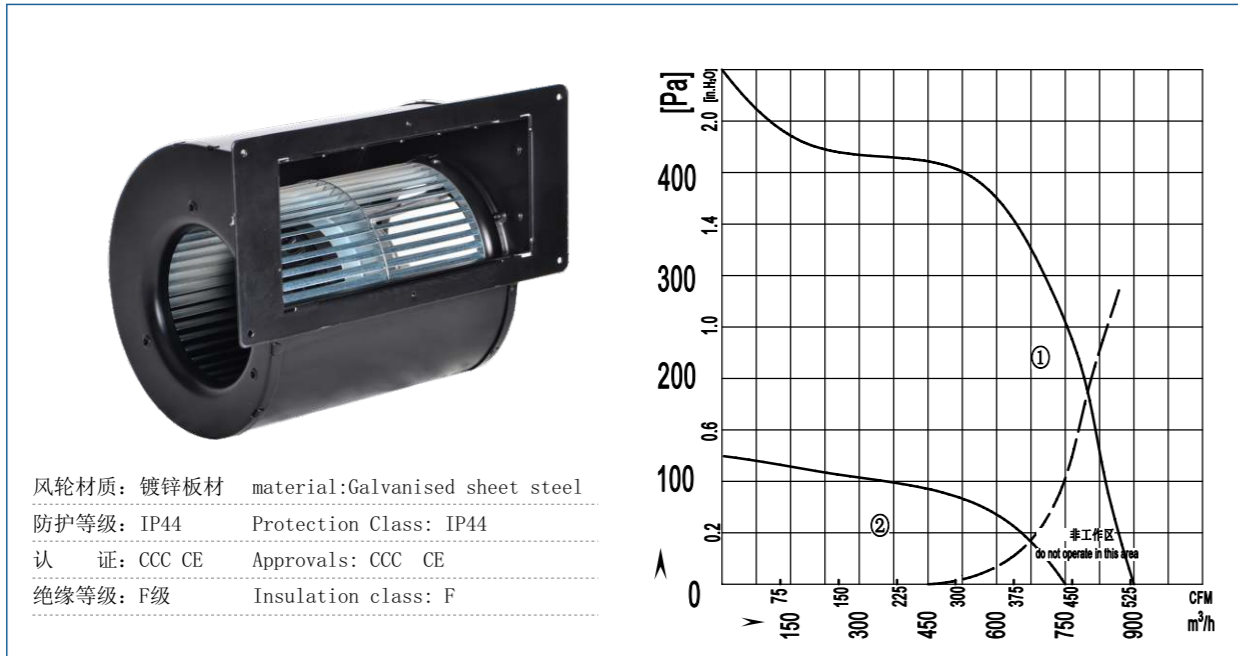
F133-190S-T 前倾离心风机
F133-190S-T Forward Centrifugal Fan



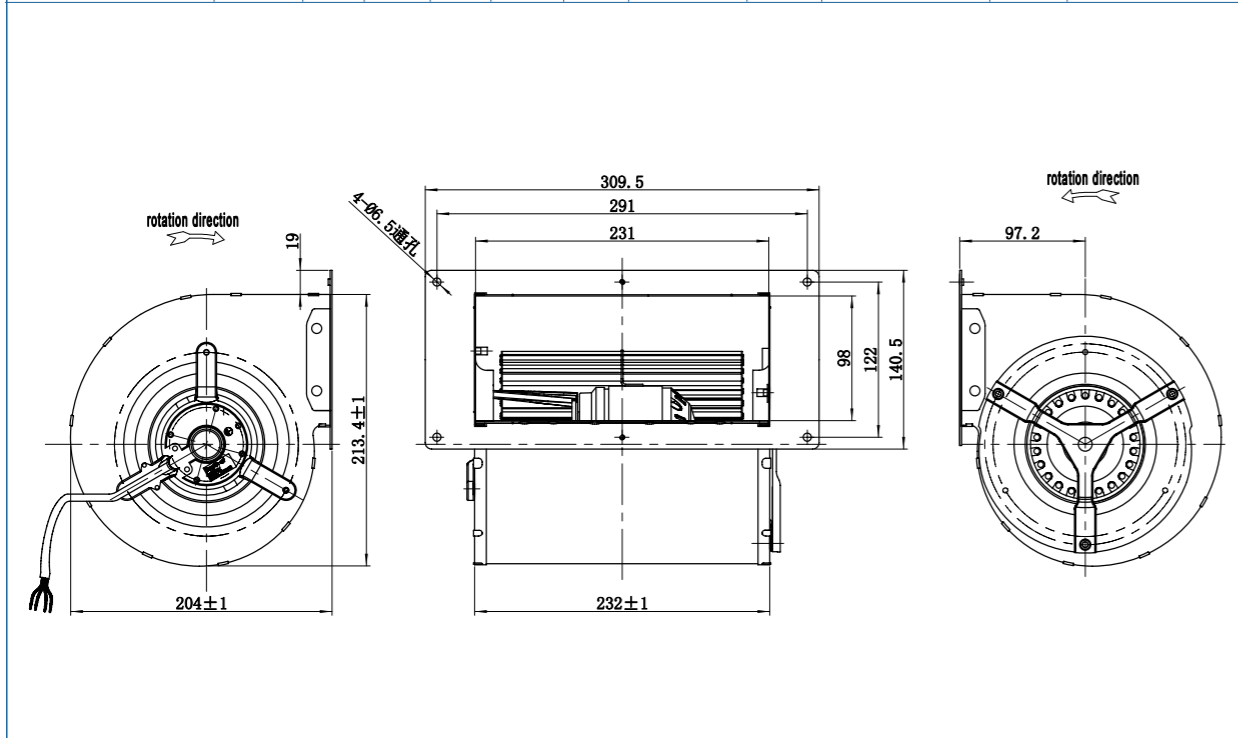
Model No.	V	Hz	A	W	rpm	μ F	m³/h/CFM	dB(A)	Min / Max(°C)	#	Approvals
F2E133-190S-TE20	220/230	50	1.1	250	1200	4	780 / 458	58	-30 / +60	①	CCC,CE,RoHS
			0.9	205	900		580 / 342	51	-30 / +60	②	CCC,CE,RoHS
			0.8	175	700		460 / 270	46	-30 / +60	③	CCC,CE,RoHS



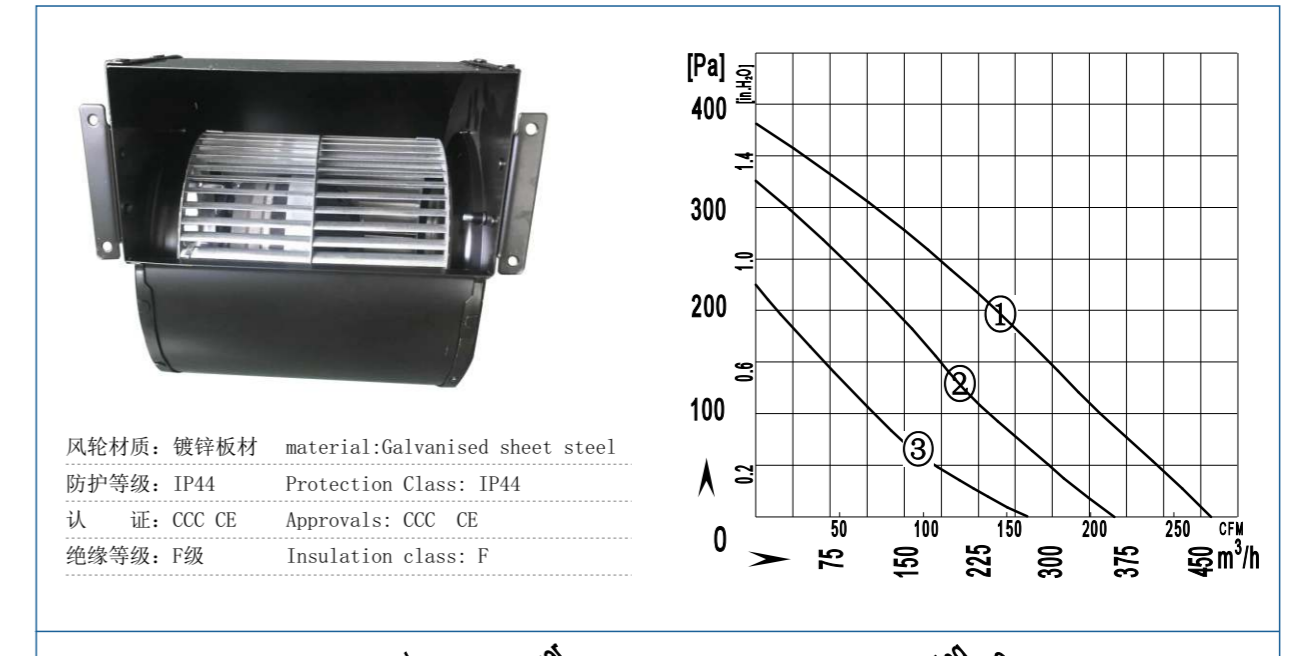
F146-190S 前倾离心风机 F146-190S Forward Centrifugal Fan



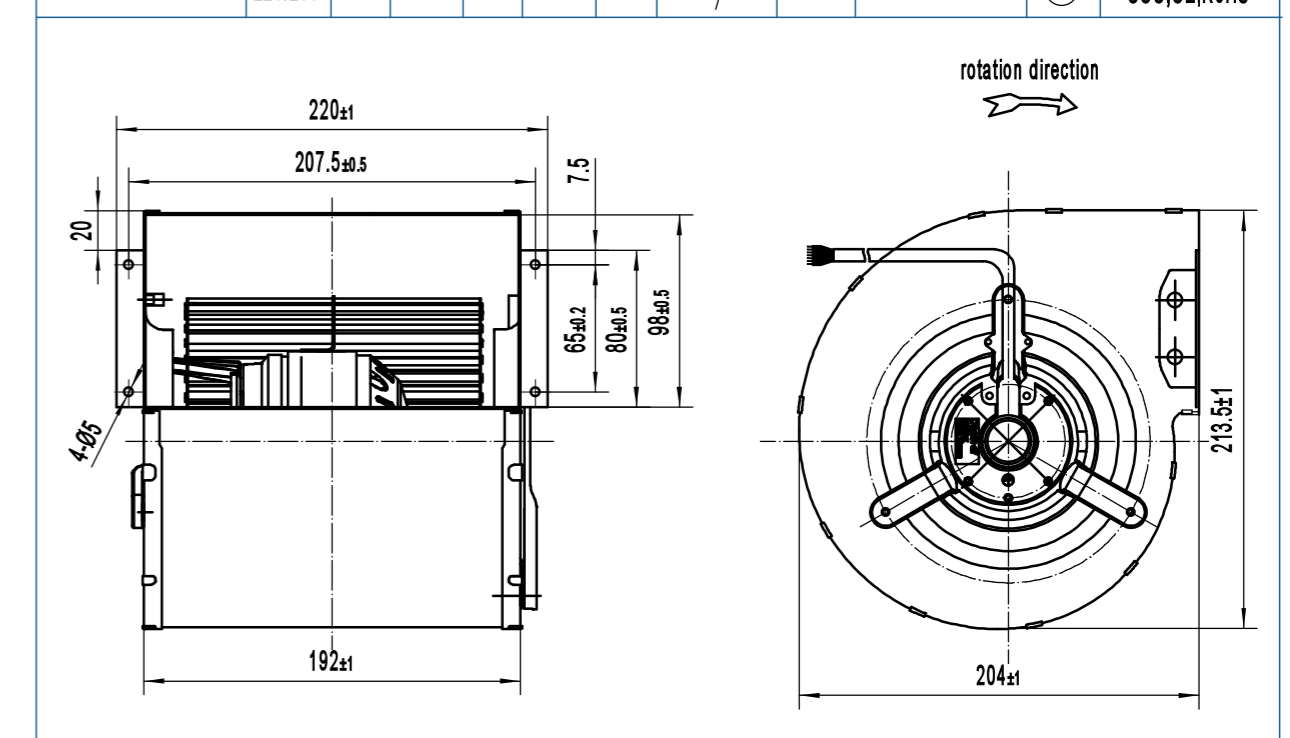
Type	Voltage	Frequency	Current	Input Power	Speed	Capacitor	Air Flow	Noise	Operating Temperature	Curve No.	Approvals
Type	V	Hz	A	W	rpm	μ F	m³/h/CFM	dB(A)	Min / Max(°C)	#	
F2E146-190S-AG00	220/230	50	1.2	250	1500	6	900 / 530	60	-30 / +60	①	CCC,CE,RoHS
F4E146-190S-AE00	220/230	50	0.54	100	1320	3	750 / 510	52	-30 / +60	②	CCC,CE,RoHS



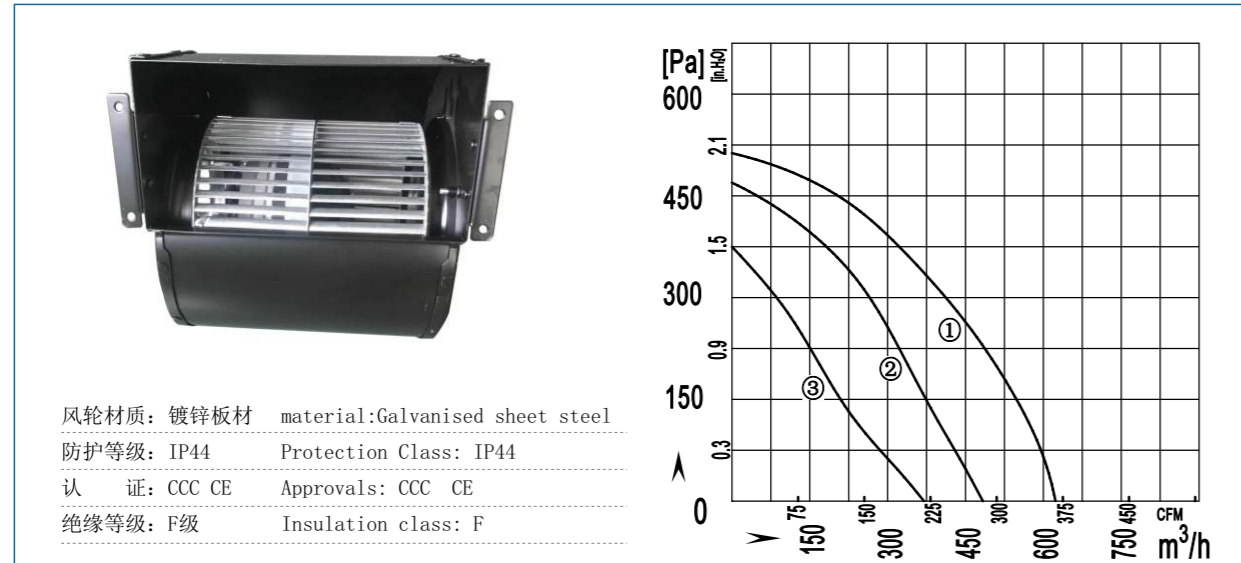
F146-150S 前倾离心风机 F146-150S Forward Centrifugal Fan



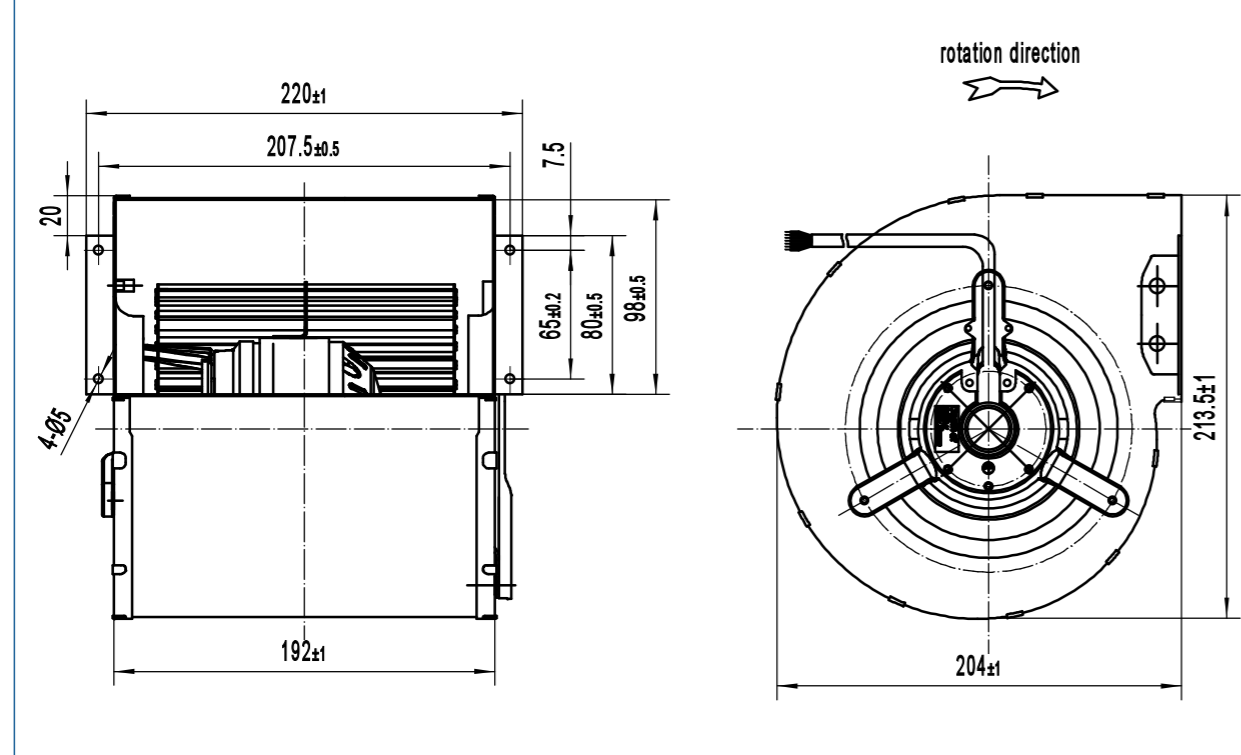
Model No.	Voltage	Frequency	Current	Input Power	Speed	Capacitor	Air Flow	Noise	Operating Temperature	Curve No.	Approvals
Model No.	V	Hz	A	W	rpm	μ F	m³/h/CFM	dB(A)	Min / Max(°C)	#	
F2E146-150S-TC10	220/230	50	0.43	105	1380	2.5	465 / 274	40	-30 / +60	①	CCC,CE,RoHS
	220/230	50	0.35	75	1120	2.5	360 / 212	35	-30 / +60	②	CCC,CE,RoHS
	220/230	50	0.30	58	880	2.5	275 / 162	29	-30 / +60	③	CCC,CE,RoHS



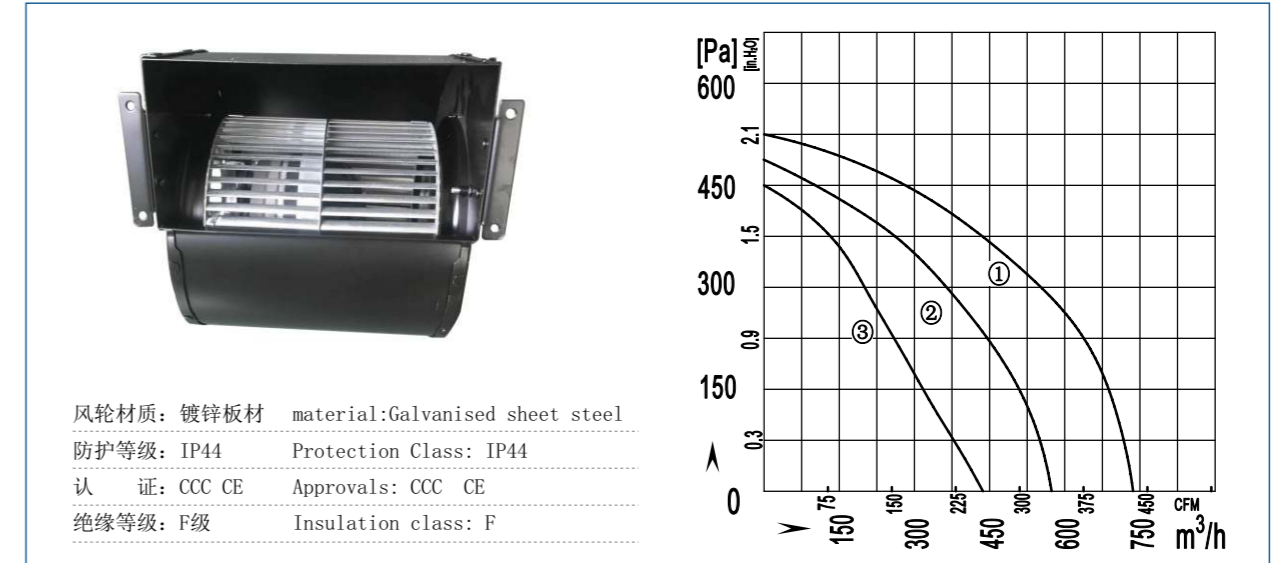
F146-150S 前倾离心风机 F146-150S Forward Centrifugal Fan



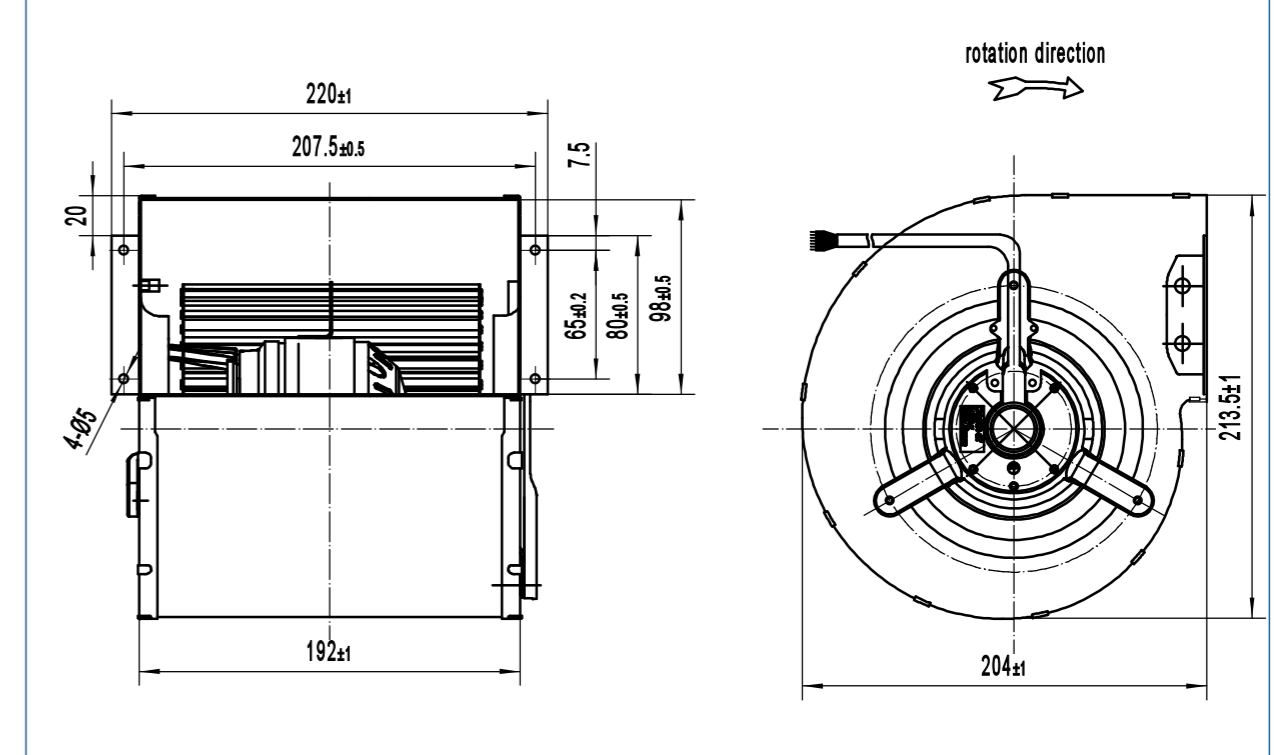
Model No.	Voltage	Frequency	Current	Input Power	Speed	Capacitor	Air Flow	Noise	Operating Temperature	Curve No.	Approvals
	V	Hz	A	W	rpm	μ F	m³/h/CFM	dB(A)	Min / Max(°C)	#	
F2E146-150S-TE00	220/230	50	1.15	250	1120	4	620 / 365	56	-30 / +60	①	CCC,CE,RoHS
	220/230	50	0.94	205	850	4	480 / 282	49	-30 / +60	②	CCC,CE,RoHS
	220/230	50	0.80	175	650	4	370 / 218	42	-30 / +60	③	CCC,CE,RoHS



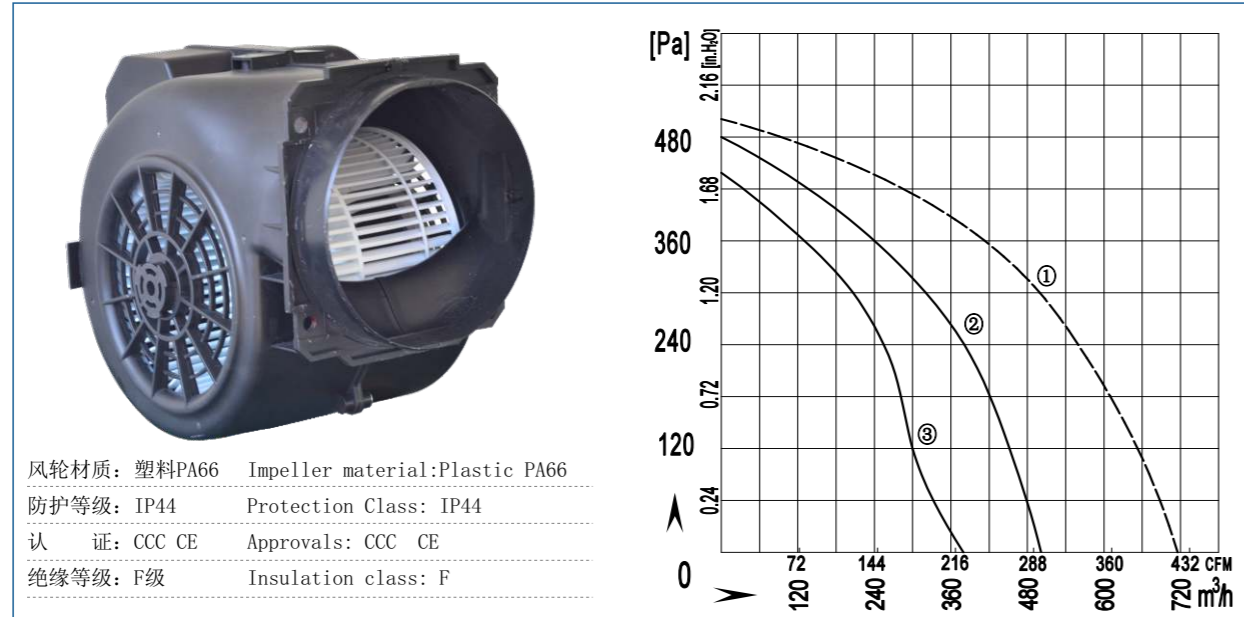
F146-150S 前倾离心风机 F146-150S Forward Centrifugal Fan



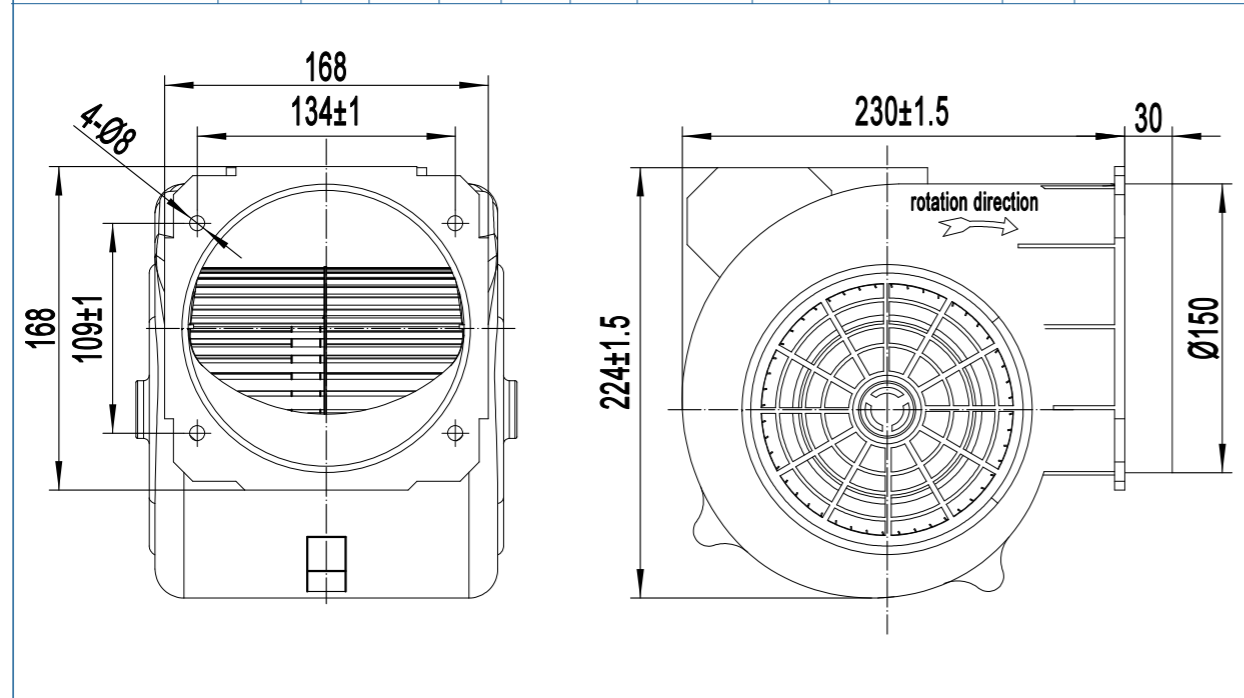
Model No.	Voltage	Frequency	Current	Input Power	Speed	Capacitor	Air Flow	Noise	Operating Temperature	Curve No.	Approvals
	V	Hz	A	W	rpm	μ F	m³/h/CFM	dB(A)	Min / Max(°C)	#	
F2E146-150S-TE01	220/230	50	1.18	260	1370	6	740 / 435	60	-30 / +60	①	CCC,CE,RoHS
	220/230	50	0.96	210	1030	6	575 / 338	53	-30 / +60	②	CCC,CE,RoHS
	220/230	50	0.82	180	800	6	440 / 259	46	-30 / +60	③	CCC,CE,RoHS



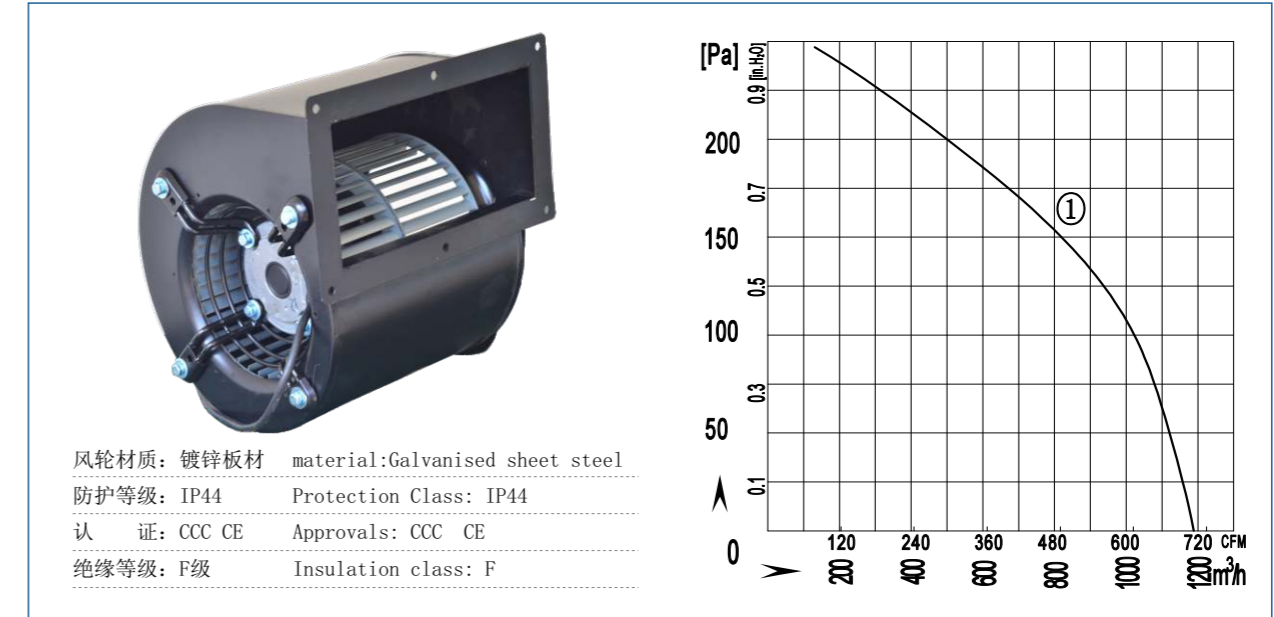
F146-151S 前倾离心风机 F146-151S Forward Centrifugal Fan



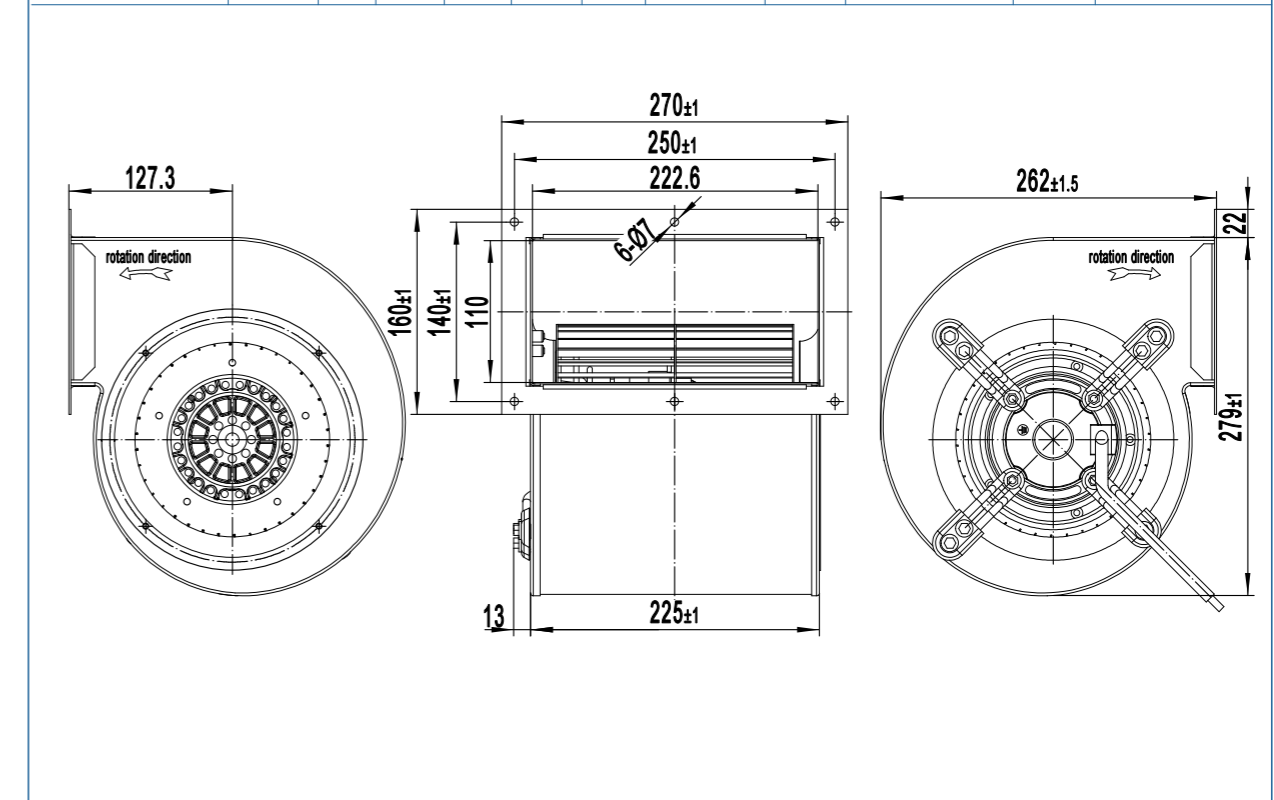
Model No.	Voltage	Frequency	Current	Input Power	Speed	Capacitor	Air Flow	Noise	Operating Temperature	Curve No.	Approvals
	V	Hz	A	W	rpm	μF	m³/h/CFM	dB(A)	Min / Max(°C)	#	
F2E146-151S-TE00	220/230	50	1.1	235	1380	4	700 / 412	57	-30 / +60	①	CCC,CE,RoHS
			0.95	195	1030		500 / 294	48	-30 / +60	②	CCC,CE,RoHS
			0.75	165	830		390 / 230	42	-30 / +60	③	CCC,CE,RoHS



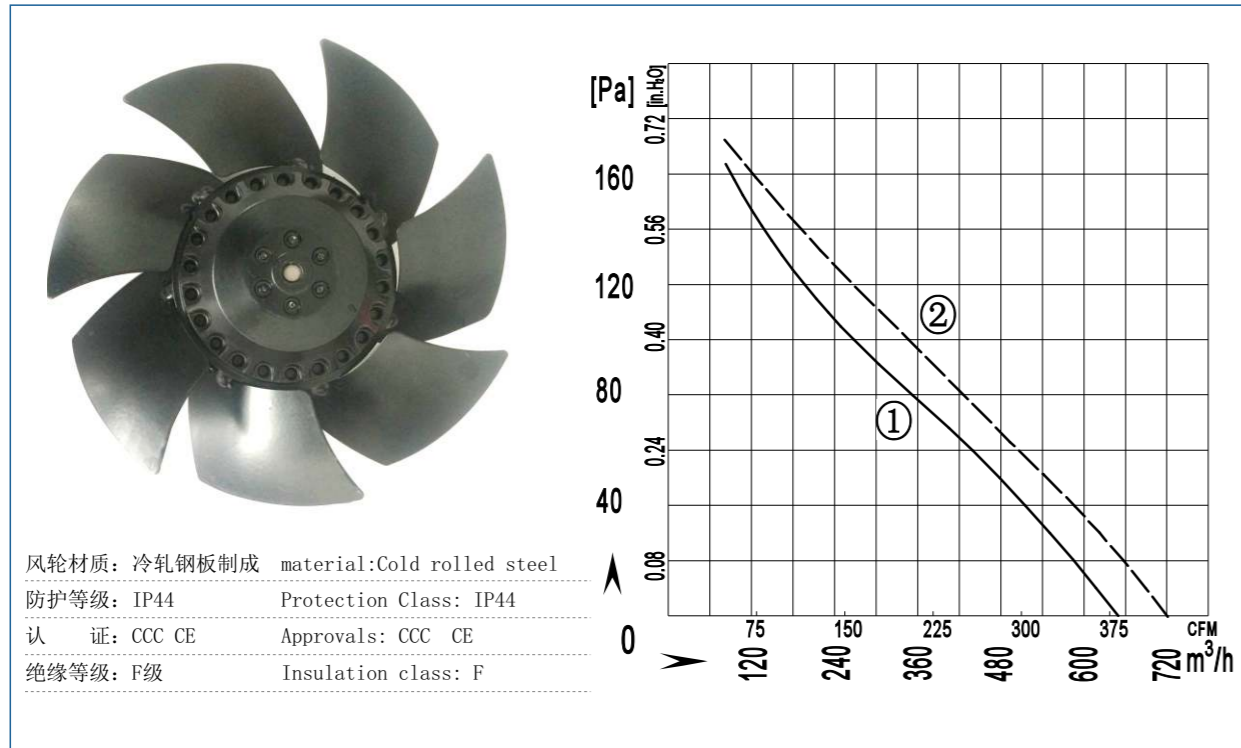
F180-185S 前倾离心风机 F180-185S Forward Centrifugal Fan



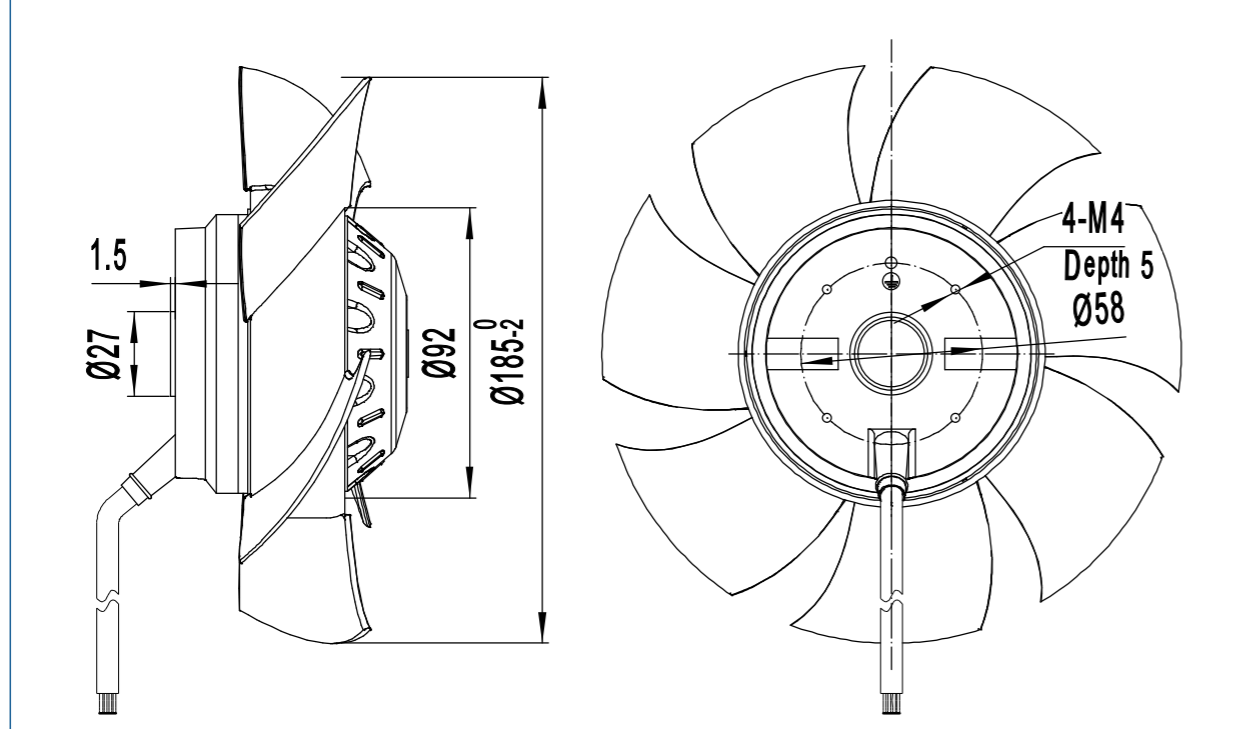
Model No.	Voltage	Frequency	Current	Input Power	Speed	Capacitor	Air Flow	Noise	Operating Temperature	Curve No.	Approvals
	V	Hz	A	W	rpm	μF	m³/h/CFM	dB(A)	Min / Max(°C)	#	
F4E180-185S-AL00	220/230	50	0.92	200	1250	4	1170 / 688	63	-30 / +60	①	CCC,CE,RoHS



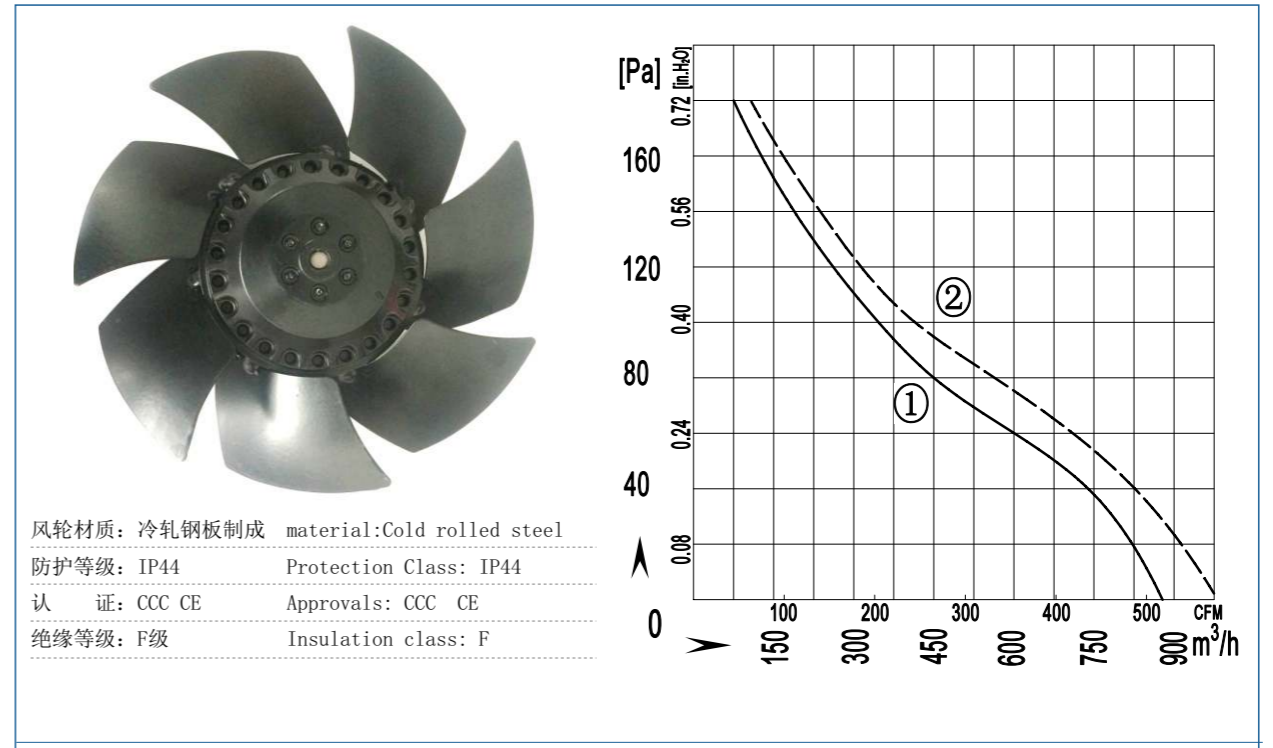
A185-7 外转子轴流风机 A185-7 External Rotor Motor Axial Fan



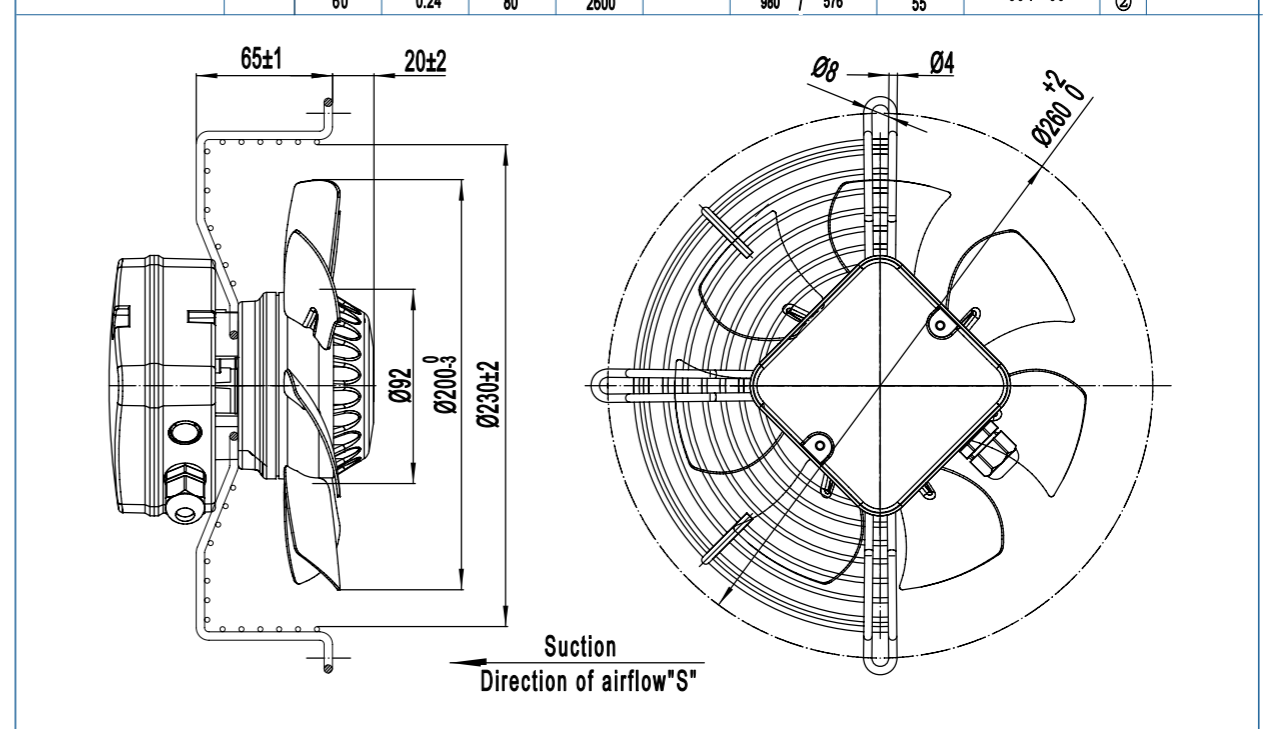
Type	Voltage	Frequency	Current	Input Power	Speed	Capacitor	Air Flow	Noise	Temperature	Curve No.	Approvals
Type	V	Hz	A	W	RPM	μF	m³/h / CFM	dB (A)	Min / Max (°C)	#	
A2E185S-7AN-AAJ0	220/230	50	0.25	55	2400	1.5	650 / 382	51	-30 / +60	①	CCC, CE, RoHS
		60	0.28	75	2700		720 / 423	52		②	
A2D185S-7AN-AAJ0	380/400	50	0.15	55	2400	/	650 / 382	51	-30 / +60	①	CCC, CE, RoHS
		60	0.18	75	2700		720 / 423	52		②	



A200-7 外转子轴流风机 A200-7 External Rotor Motor Axial Fan



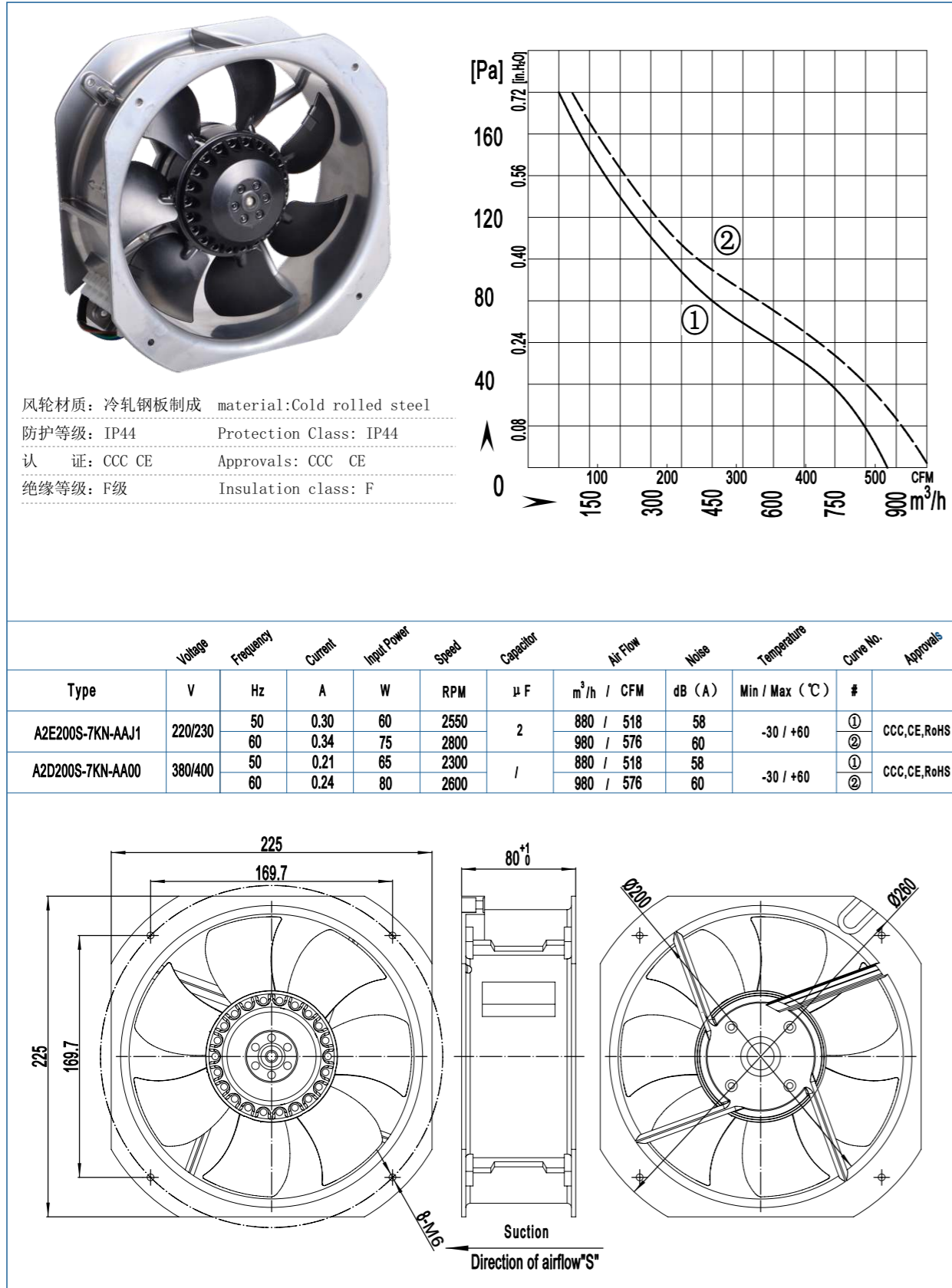
Type	Voltage	Frequency	Current	Input Power	Speed	Capacitor	Air Flow	Noise	Temperature	Curve No.	Approvals
Type	V	Hz	A	W	RPM	μF	m³/h / CFM	dB (A)	Min / Max (°C)	#	
A2E200S-7DM-AA00	220/230	50	0.30	65	2300	2	880 / 518	53	-30 / +60	①	CCC, CE, RoHS
		60	0.34	80	2600		980 / 576	55		②	
A2D200S-7DM-AA00	380/400	50	0.21	65	2300	/	880 / 518	53	-30 / +60	①	CCC, CE, RoHS
		60	0.24	80	2600		980 / 576	55		②	



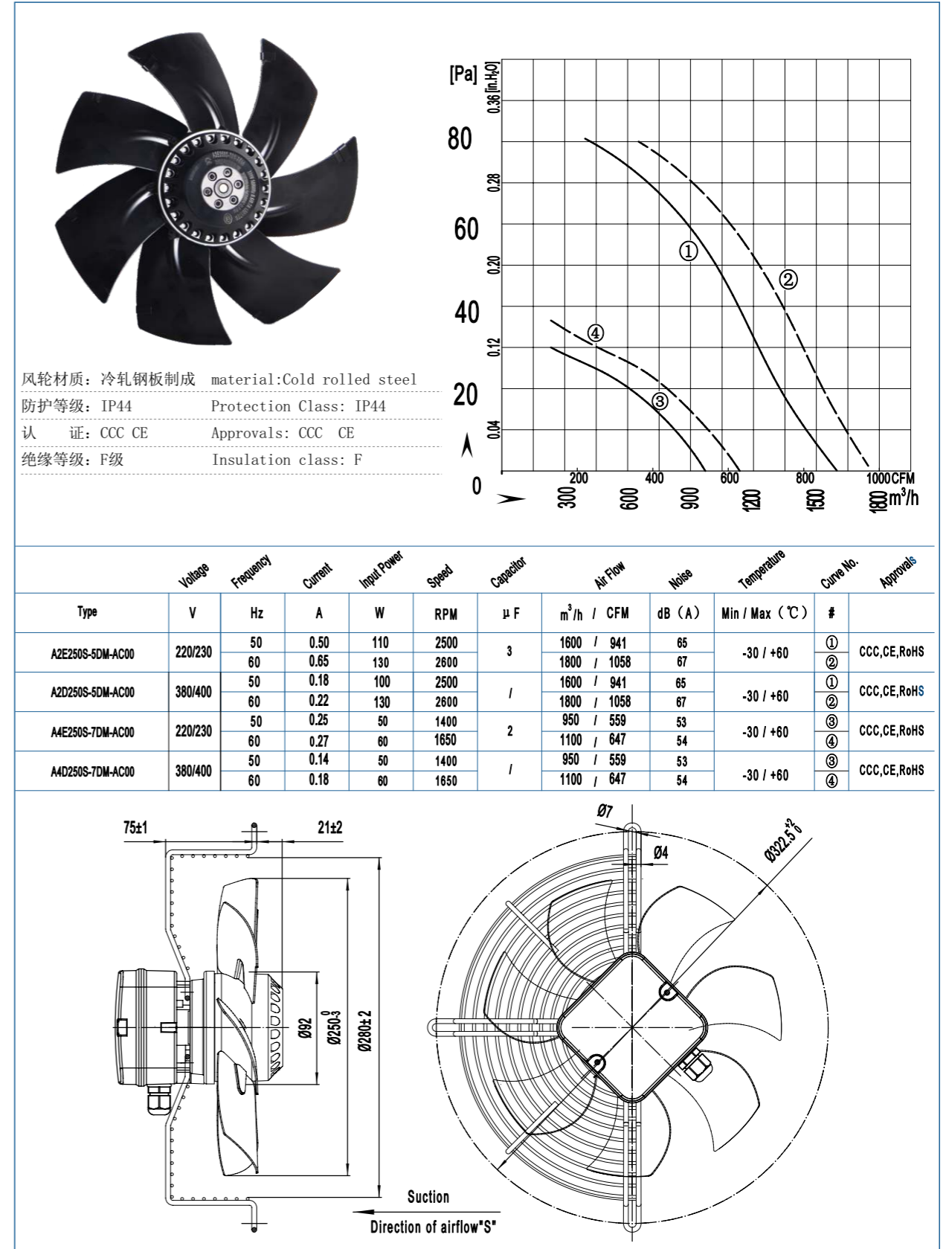
轴流风机
Axial Fans

轴流风机
Axial Fans

A200-7K 外转子轴流风机 A200-7K External Rotor Motor Axial Fan



A250-7 外转子轴流风机 A250-7 External Rotor Motor Axial Fan



轴流风机
Axial Fans

轴流风机
Axial Fans