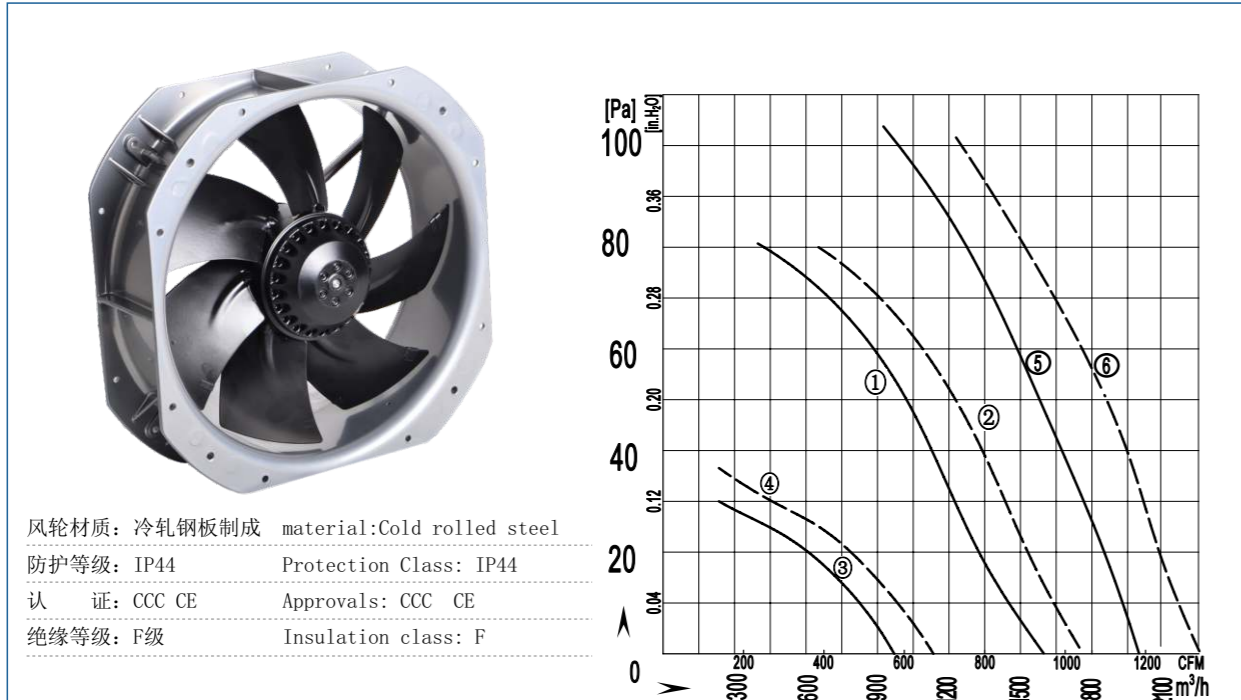
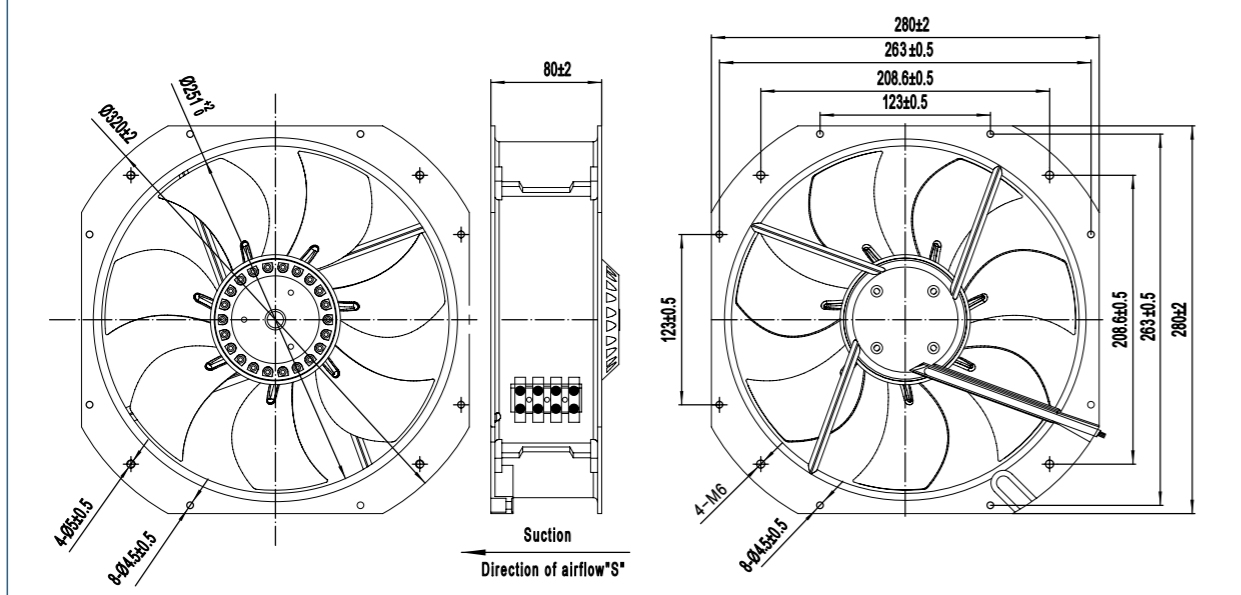


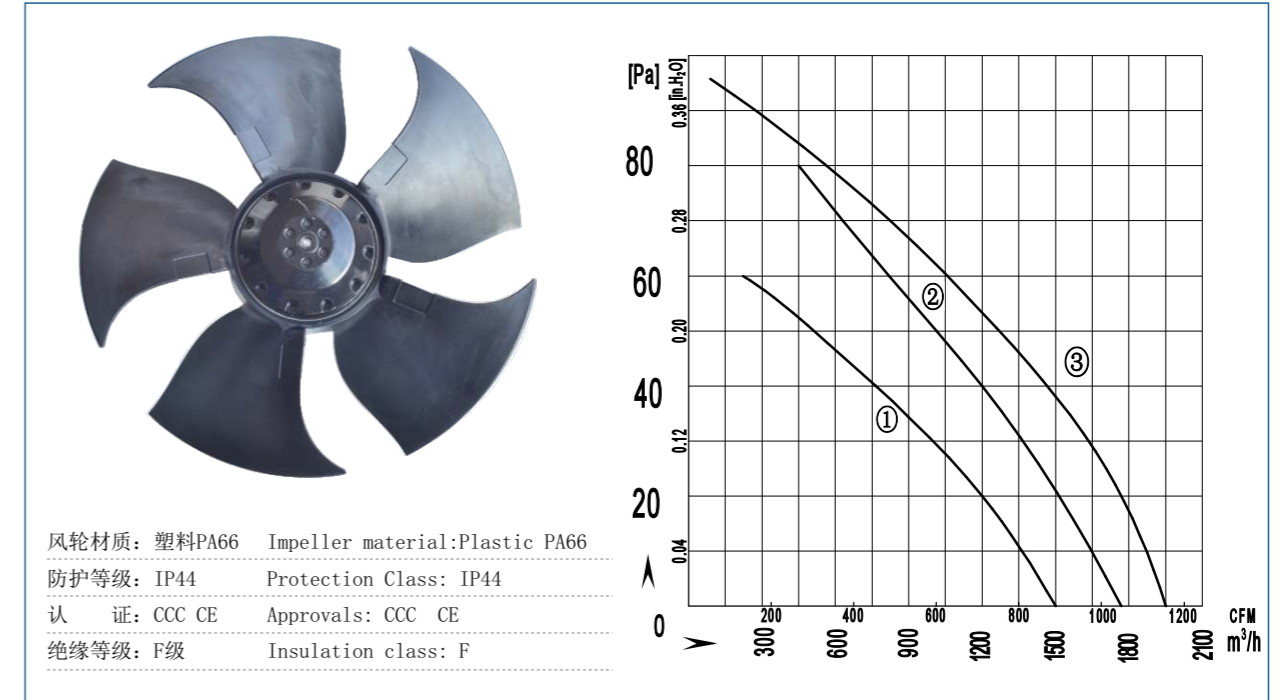
A250-7K 外转子轴流风机 A250-7K External Rotor Motor Axial Fan



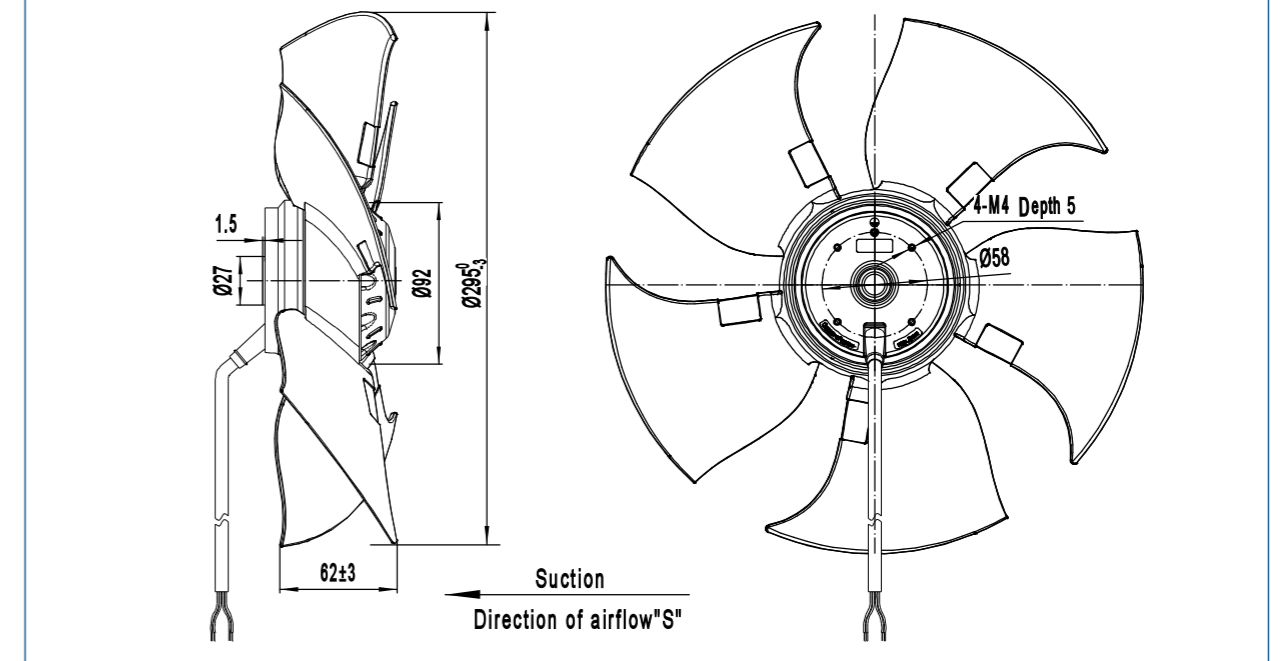
Type	Voltage	Frequency	Current	Input Power	Speed	Capacitor	Air Flow	Noise	Temperature	Curve No.	Approvals
Type	V	Hz	A	W	RPM	μF	m³/h / CFM	dB (A)	Min / Max (°C)	#	
A2E250S-5KN-ACJ0	220/230	50	0.42	90	2600	3	1600 / 941	66	-30 / +60	①	CCC,CE,RoHS
		60	0.55	115	2900		1800 / 1058	67		②	
A2D250S-5KN-AC00	380/400	50	0.20	100	2500	/	1600 / 941	66	-30 / +60	①	CCC,CE,RoHS
		60	0.22	130	2600		1800 / 1058	67		②	
A4E250S-7KN-AC00	220/230	50	0.25	50	1400	2	950 / 559	53	-30 / +60	③	CCC,CE,RoHS
		60	0.30	55	1620		1100 / 647	54		④	
A2E250S-7KN-AEJ0	220/230	50	0.60	130	2700	4	2000 / 1235	68	-30 / +60	⑤	CCC,CE,RoHS
		60	0.70	170	2900		2250 / 1323	69		⑥	



A295-5-S 外转子轴流风机 A295-5-S External Rotor Motor Axial Fan



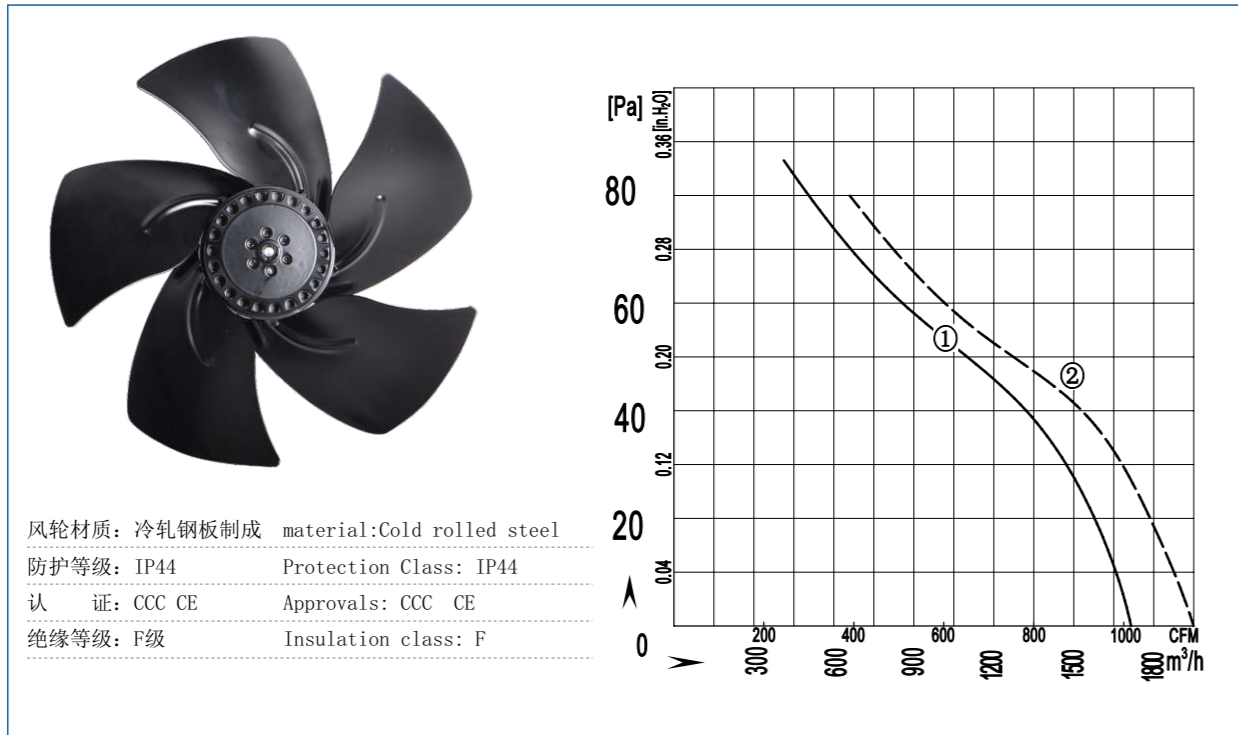
Type	Voltage	Frequency	Current	Input Power	Speed	Capacitor	Air Flow	Noise	Temperature	Curve No.	Approvals
Type	V	Hz	A	W	RPM	μF	m³/h / CFM	dB (A)	Min / Max (°C)	#	
A4E295S-5AN-ACS0	220/230	50	0.30	65	1200	2	1500 / 880	45	-30 / +60	①	CCC,CE,RoHS
A4E295S-5AN-AES0	220/230	50	0.40	80	1400	3	1550 / 911	48	-30 / +60	②	CCC,CE,RoHS
A4D295S-5AN-ACS0	220/230	50	0.19	75	1330	/	1750 / 1027	49	-30 / +40	②	CCC,CE,RoHS
		60	0.17	90	1450		1950 / 1145	50		③	



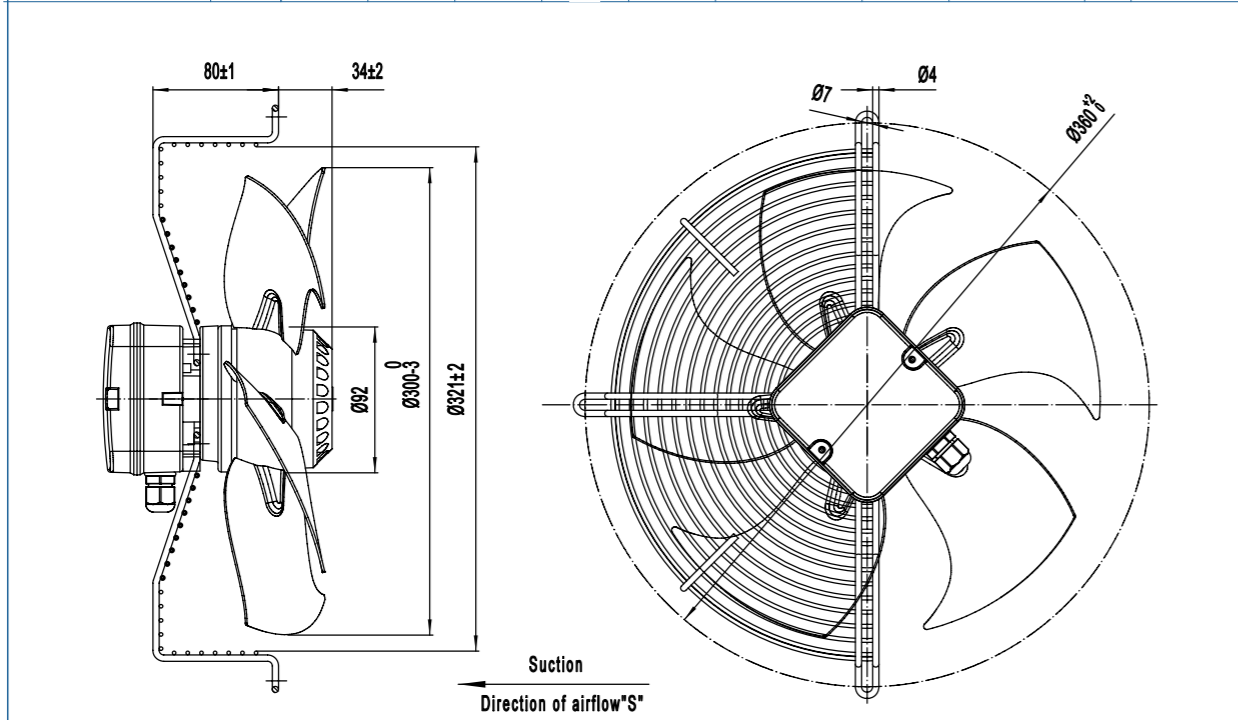
轴流风机
Axial Fans

轴流风机
Axial Fans

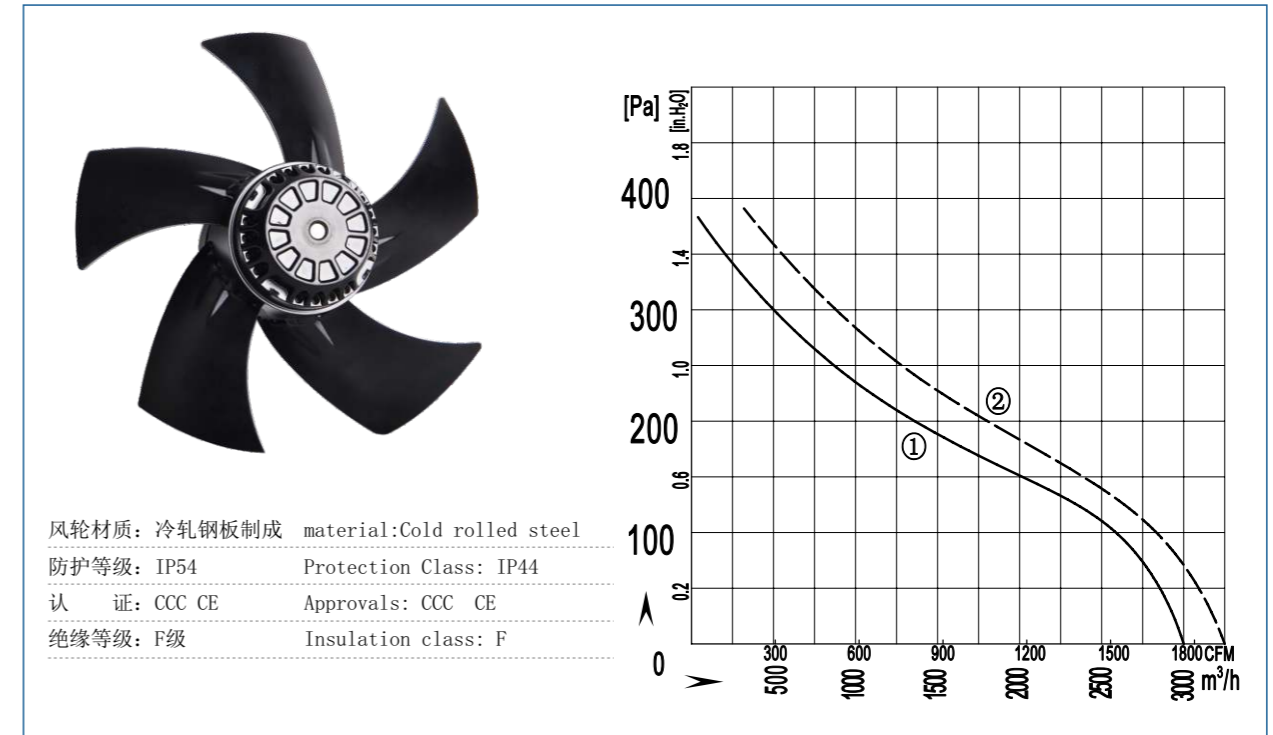
A300-5 外转子轴流风机 A300-5 External Rotor Motor Axial Fan



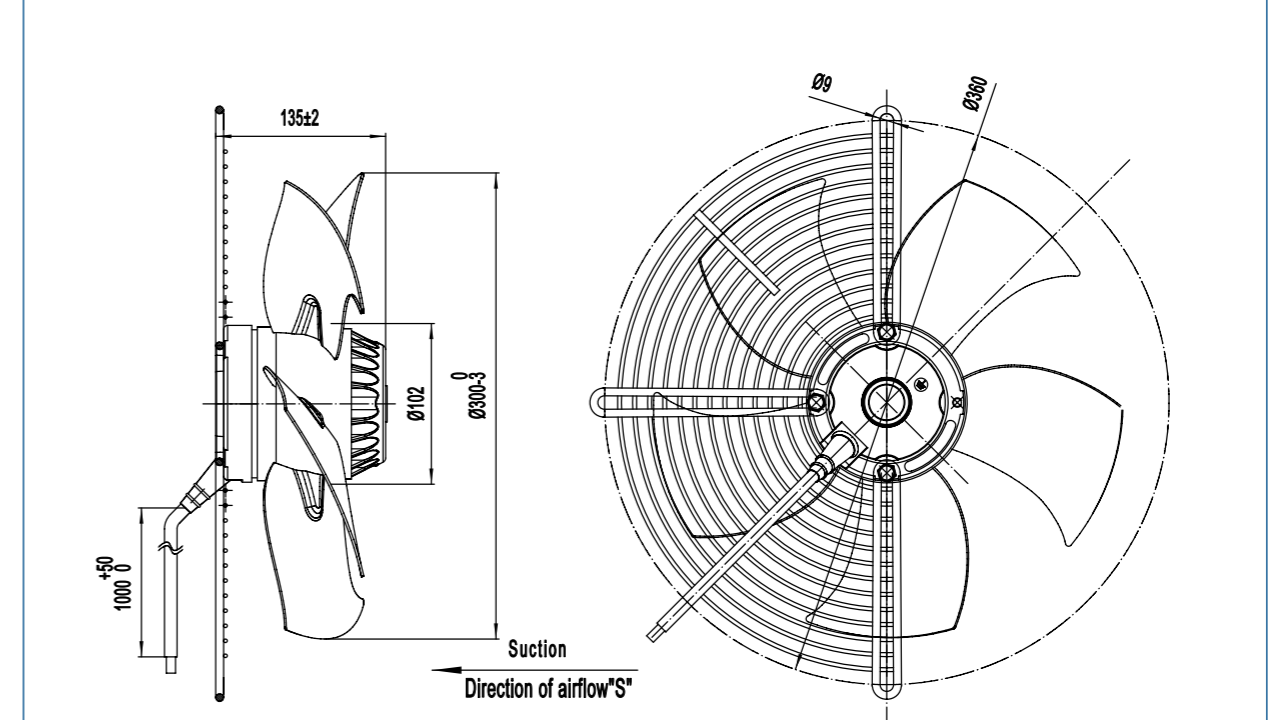
Type	Voltage	Frequency	Current	Input Power	Speed	Capacitor	Air Flow	Noise	Temperature	Curve No.	Approvals
Type	V	Hz	A	W	RPM	μF	m³/h / CFM	dB (A)	Min / Max (°C)	#	
A4E300S-5DM-AE00	220/230	50	0.42	90	1350	3	1750 / 1029	52	-30 / +60	①	CCC,CE,RoHS
		60	0.51	115	1600		2000 / 1176	55		②	
A4D300S-5DM-AE00	380/400	50	0.25	90	1380	/	1750 / 1029	52	-30 / +60	①	CCC,CE,RoHS
		60	0.26	120	1640		2000 / 1176	55		②	



A300-5N 外转子轴流风机 A300-5N External Rotor Motor Axial Fan



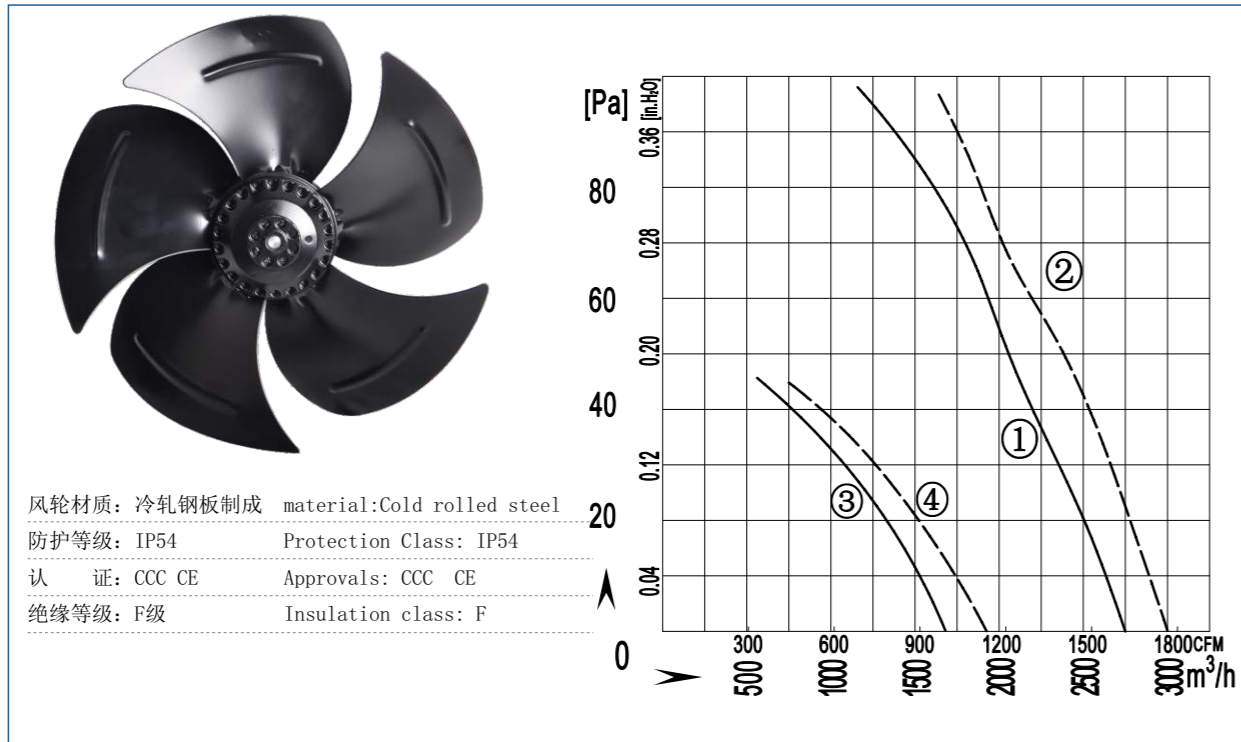
Type	Voltage	Frequency	Current	Input Power	Speed	Capacitor	Air Flow	Noise	Temperature	Curve No.	Approvals
Type	V	Hz	A	W	RPM	μF	m³/h / CFM	dB (A)	Min / Max (°C)	#	
A2D300S-5BN-AN00	380/400	50	0.56	270	2750	/	3000 / 1764	72	-30 / +60	①	CCC,CE,RoHS
		60	0.70	400	3100		3200 / 1882	73		②	



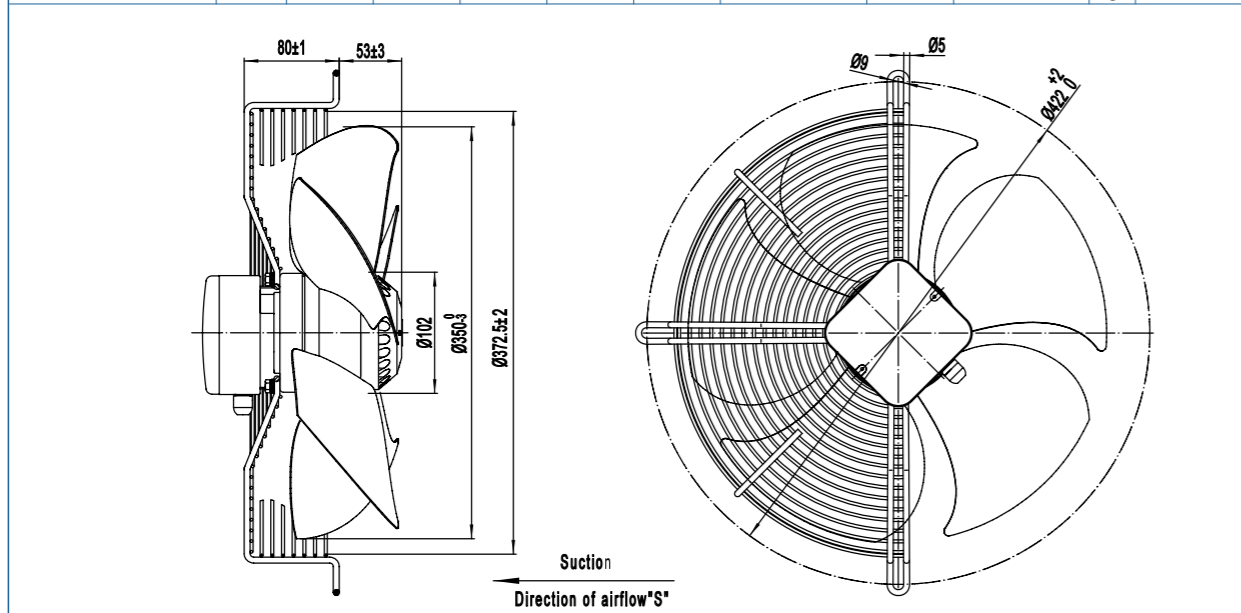
轴流风机
Axial Fans

轴流风机
Axial Fans

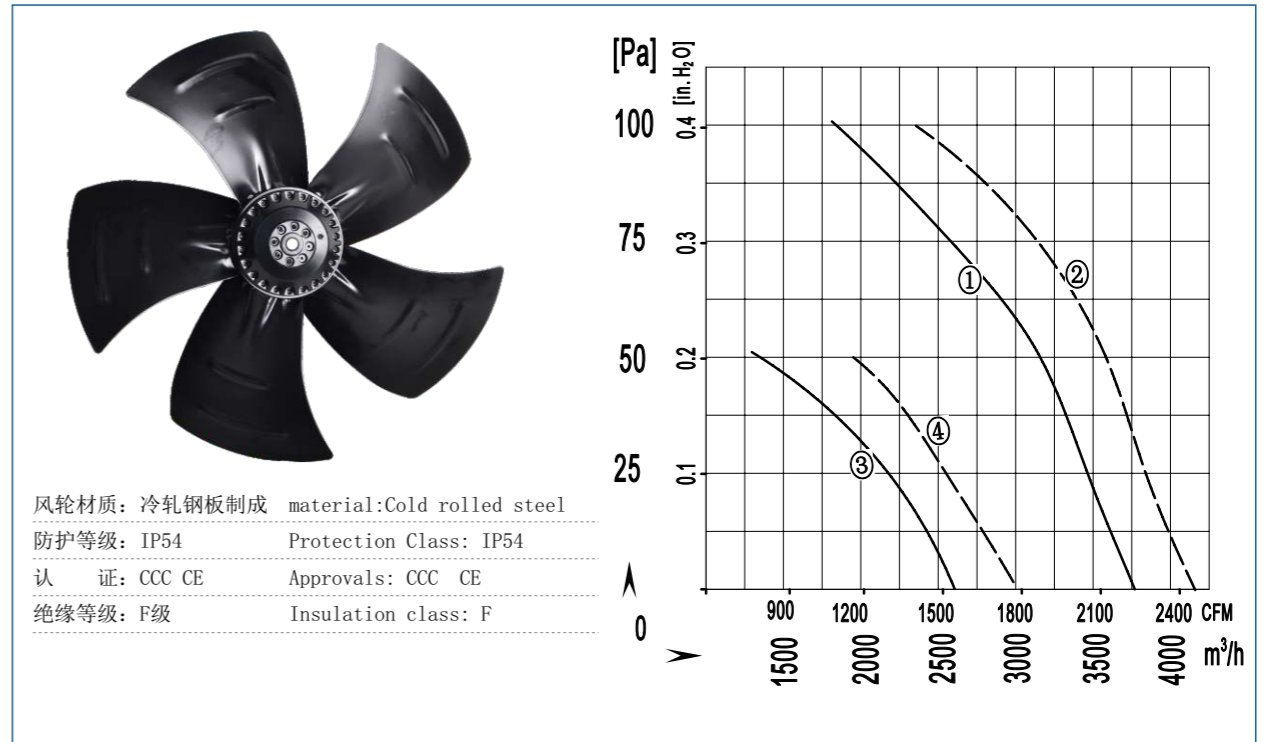
A350-5 外转子轴流风机 A350-5 External Rotor Motor Axial Fan



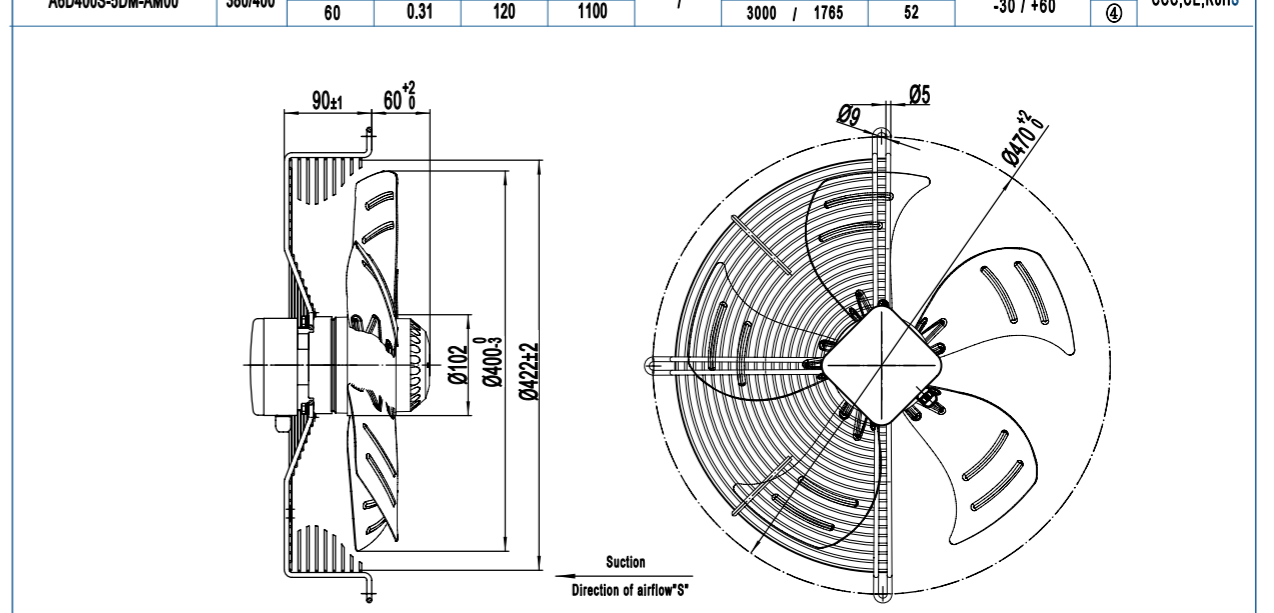
Type	Voltage	Frequency	Current	Input Power	Speed	Capacitor	Air Flow	Noise	Temperature	Curve No.	Approvals
	V	Hz	A	W	RPM	μF	m³/h / CFM	dB (A)	Min / Max (°C)	#	
A4E350S-SDM-AL00	220/230	50	0.60	135	1380	3	2700 / 1588	58	-30 / +60	①	CCC,CE,RoHS
		60	0.83	190	1550		3000 / 1765	60			
A4D350S-SDM-AL00	380/400	50	0.30	135	1360	/	2700 / 1588	58	-30 / +60	①	CCC,CE,RoHS
		60	0.34	170	1500		3000 / 1765	60			
A6E350S-SDM-AL00	220/230	50	0.40	75	950	3	1580 / 920	53	-30 / +60	③	CCC,CE,RoHS
		60	0.37	83	1100		1800 / 1060	54			
A6D350S-SDM-AL00	380/400	50	0.29	70	920	/	1580 / 920	53	-30 / +60	③	CCC,CE,RoHS
		60	0.20	80	1050		1800 / 1060	54			



A400-5 外转子轴流风机 A400-5 External Rotor Motor Axial Fan



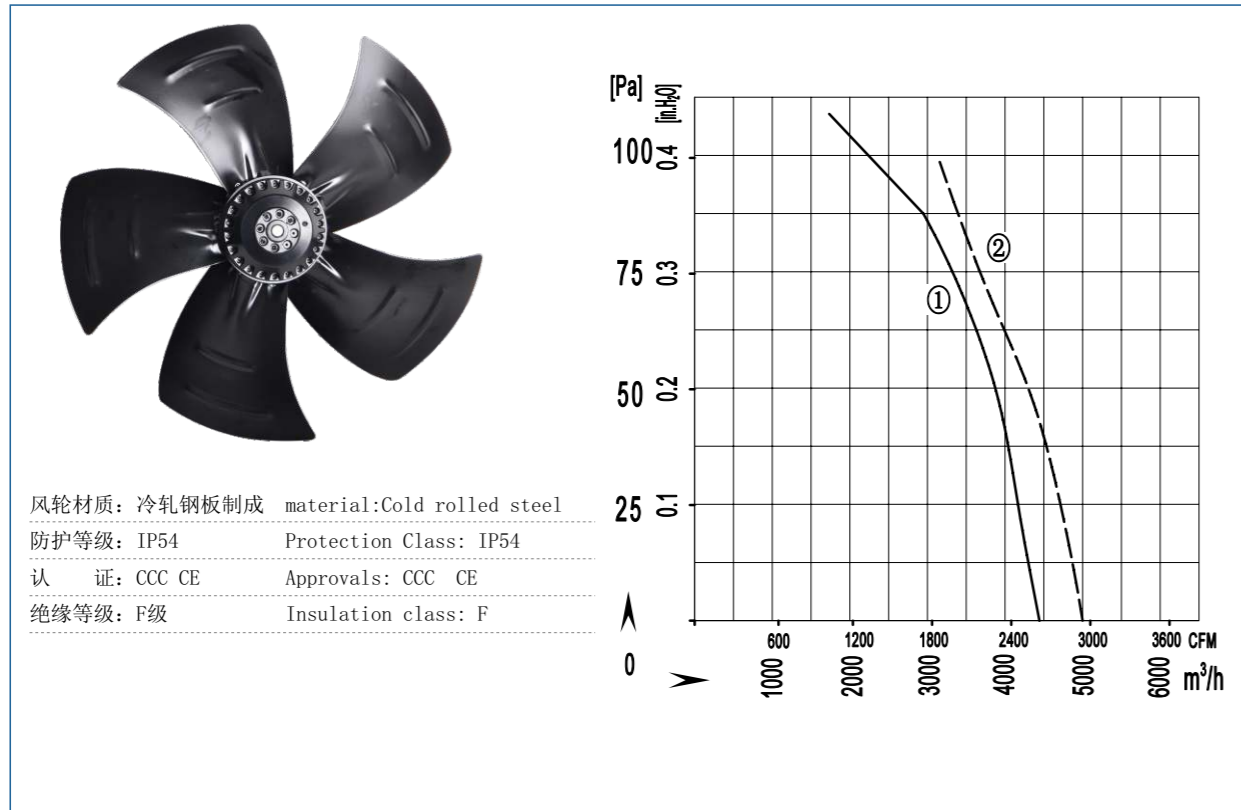
Type	Voltage	Frequency	Current	Input Power	Speed	Capacitor	Air Flow	Noise	Temperature	Curve No.	Approvals
	V	Hz	A	W	RPM	μF	m³/h / CFM	dB (A)	Min / Max (°C)	#	
A4E400S-SDM-AM00	220/230	50	0.90	180	1350	6	3700 / 2176	60	-30 / +60	①	CCC,CE,RoHS
		60	1.22	260	1580		4100 / 2411	62			
A4D400S-SDM-AM00	380/400	50	0.50	180	1370	/	3700 / 2176	60	-30 / +60	①	CCC,CE,RoHS
		60	0.47	240	1620		4100 / 2411	62			
A6E400S-SDM-AM00	220/230	50	0.50	100	950	4	2600 / 1530	49	-30 / +60	③	CCC,CE,RoHS
		60	0.54	120	1100		3000 / 1765	52			
A6D400S-SDM-AM00	380/400	50	0.31	100	930	/	2600 / 1530	49	-30 / +60	③	CCC,CE,RoHS
		60	0.31	120	1100		3000 / 1765	52			



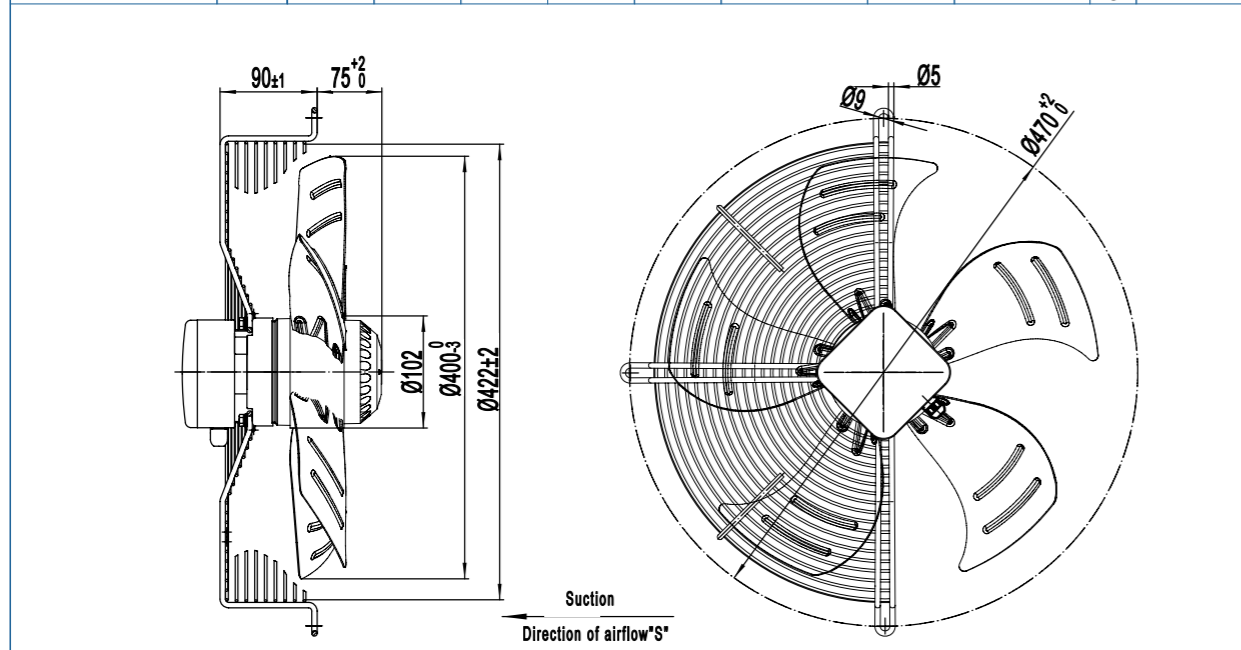
轴流风机
Axial Fans

轴流风机
Axial Fans

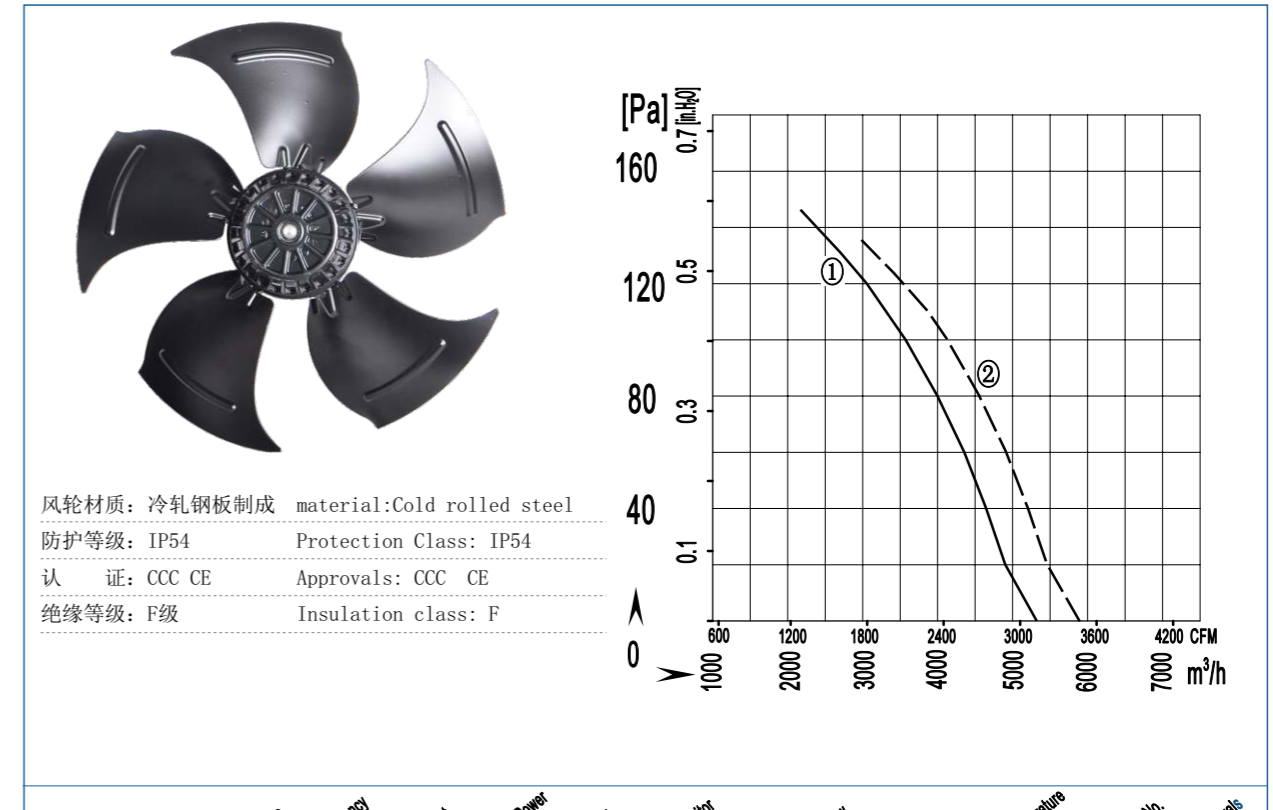
A400-5N 外转子轴流风机 A400-5N External Rotor Motor Axial Fan



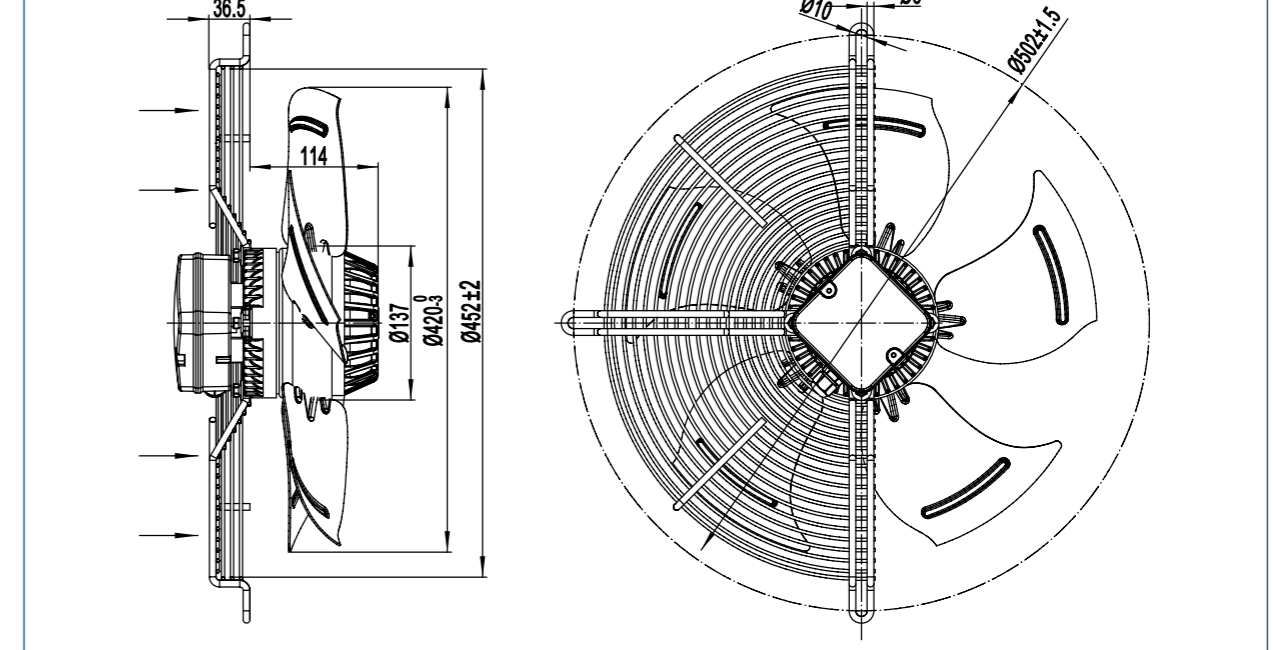
Type	Voltage	Frequency	Current	Input Power	Speed	Capacitor	Air Flow	Noise	Temperature	Curve No.	Approvals
Type	V	Hz	A	W	RPM	μF	m³/h / CFM	dB (A)	Min / Max (°C)	#	
A4E400S-5DM-AN00	220/230	50	1.10	230	1350	7	4400 / 2588	62	-30 / +60	①	CCC,CE,RoHS
		60	1.20	280	1600		5000 / 2941	64		②	
A4D400S-5DM-AN00	380/400	50	0.50	230	1350	/	4400 / 2588	62	-30 / +60	①	CCC,CE,RoHS
		60	0.60	280	1600		5000 / 2941	64		②	



A420-5R 外转子轴流风机 A420-5R External Rotor Motor Axial Fan



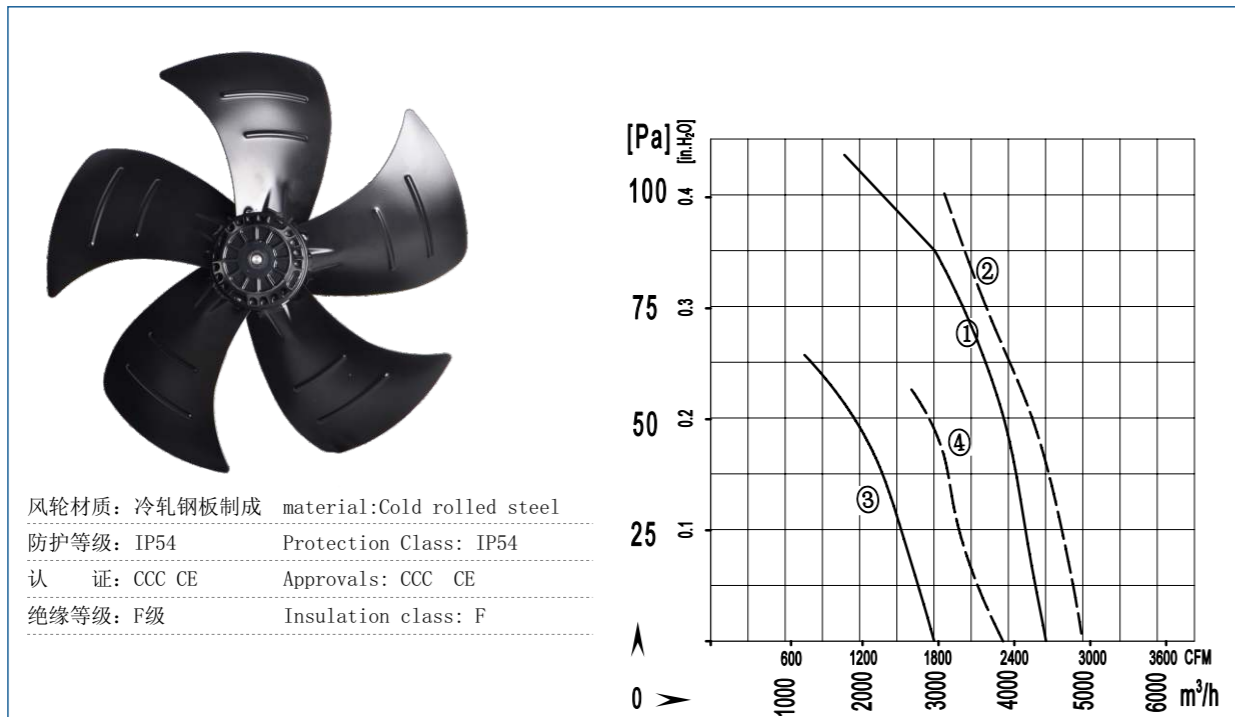
Type	Voltage	Frequency	Current	Input Power	Speed	Capacitor	Air Flow	Noise	Temperature	Curve No.	Approvals
Type	V	Hz	A	W	RPM	μF	m³/h / CFM	dB (A)	Min / Max (°C)	#	
A4E420B-5DM-AR00	220/230	50	1.50	300	1350	8	5300 / 3117	65	-30 / +60	①	CCC,CE,RoHS
		60	1.80	400	1580		5800 / 3411	68		②	
A4D420B-5DM-AR00	380/400	50	0.65	280	1370	/	5300 / 3117	65	-30 / +60	①	CCC,CE,RoHS
		60	0.90	380	1600		5800 / 3411	68		②	



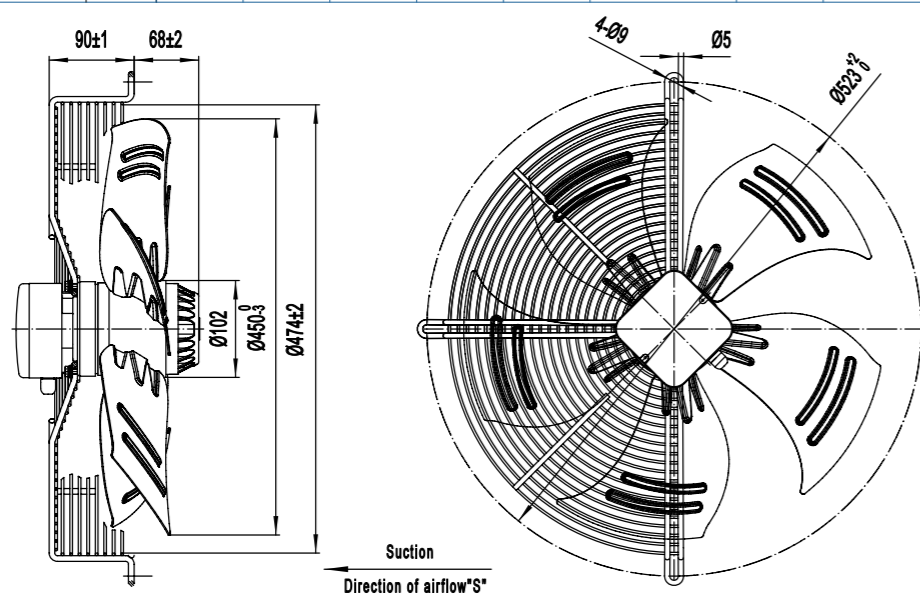
轴流风机
Axial Fans

轴流风机
Axial Fans

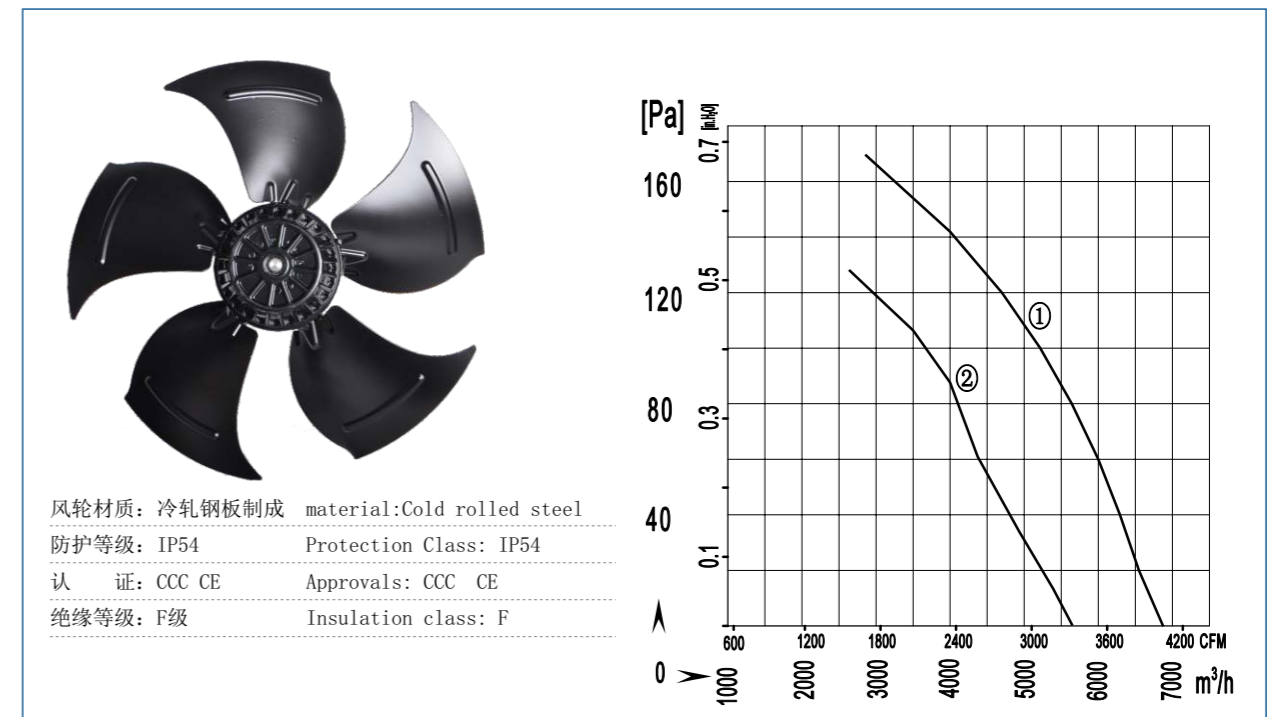
A450-5 外转子轴流风机 A450-5 External Rotor Motor Axial Fan



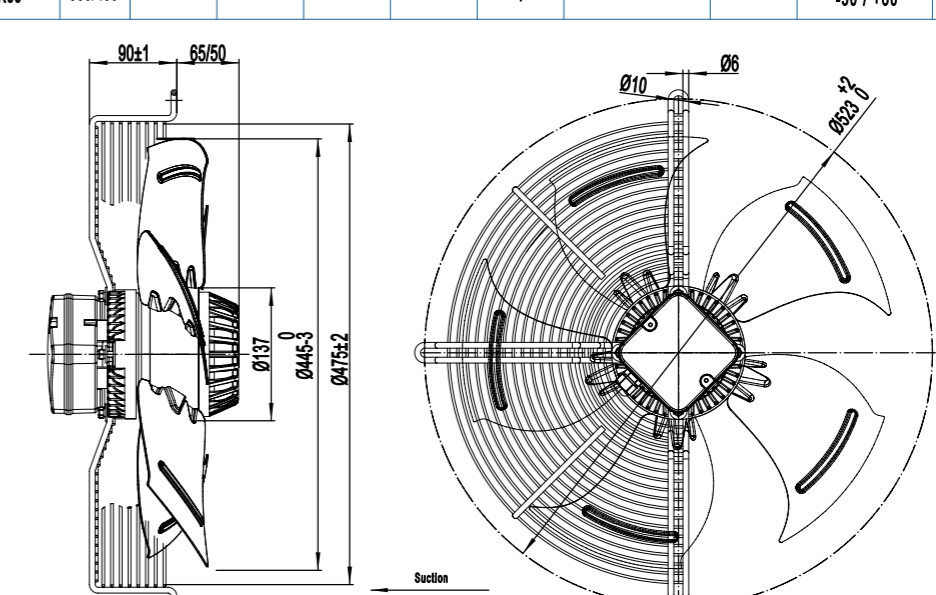
Type	Voltage	Frequency	Current	Input Power	Speed	Capacitor	Air Flow	Noise	Temperature	Curve No.	Approvals
Type	V	Hz	A	W	RPM	μF	m³/h / CFM	dB (A)	Min / Max (°C)	#	
A4E450S-5DM-AN00	220/230	50	1.10	250	1350	7	4500 / 2650	62	-30 / +60	①	CCC, CE, RoHS
		60	1.20	280	1600		4800 / 2825	64			
A4D450S-5DM-AN00	380/400	50	0.50	250	1350	/	4500 / 2650	62	-30 / +60	①	CCC, CE, RoHS
		60	0.60	280	1600		4800 / 2825	64			
A6E450S-5DM-AN00	220/230	50	0.65	135	920	6	2900 / 1705	56	-30 / +60	③	CCC, CE, RoHS
		60	0.75	170	1100		3400 / 2000	58			
A6D450S-5DM-AN00	380/400	50	0.31	135	910	/	2900 / 1705	56	-30 / +60	③	CCC, CE, RoHS
		60	0.34	140	1030		3400 / 2000	58			



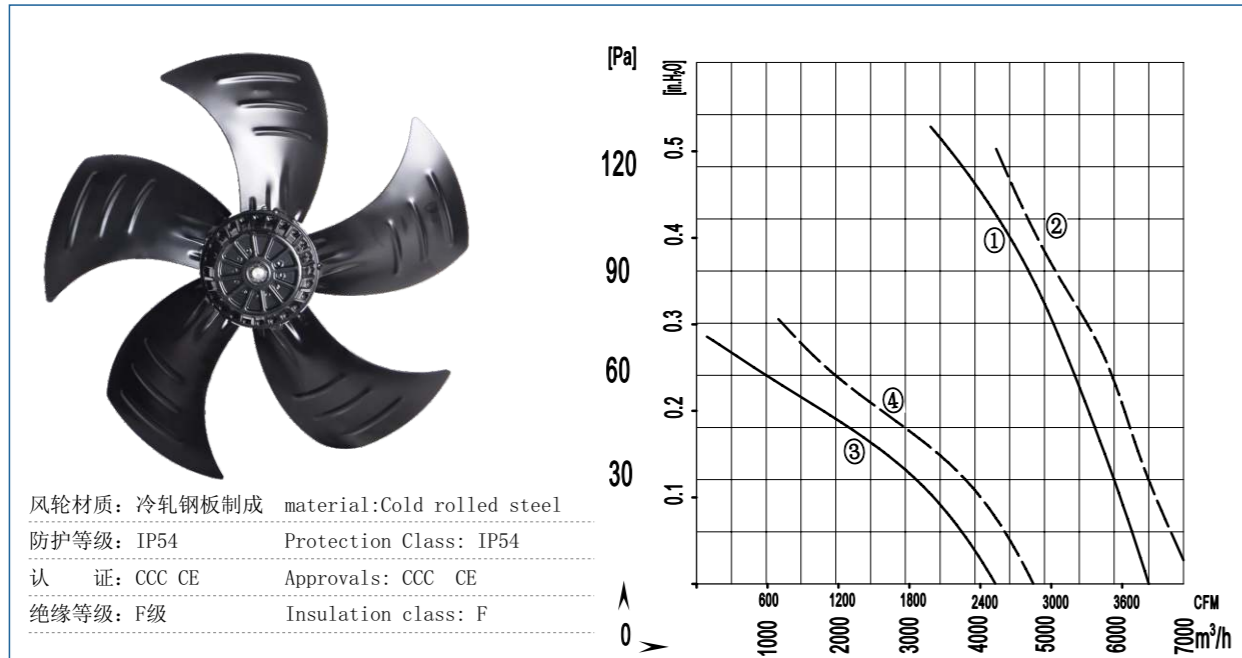
A450-5S 外转子轴流风机 A450-5S External Rotor Motor Axial Fan



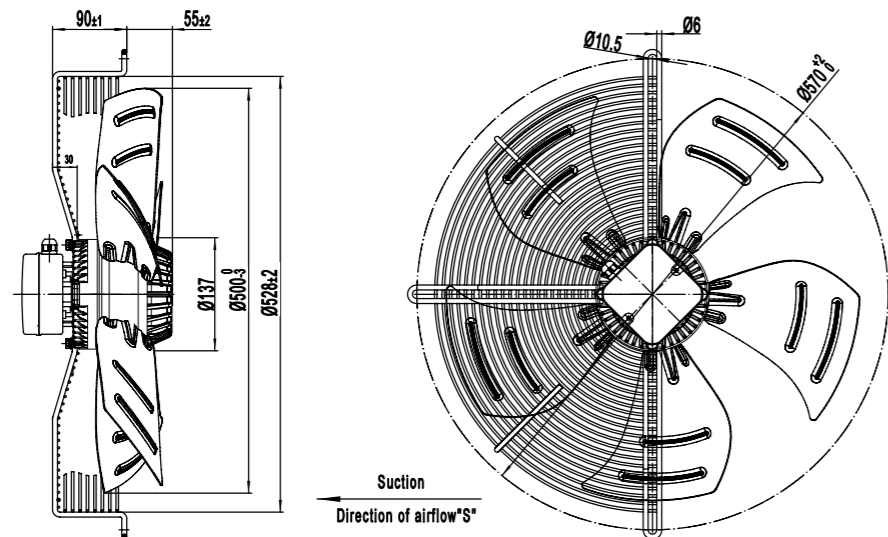
Type	Voltage	Frequency	Current	Input Power	Speed	Capacitor	Air Flow	Noise	Temperature	Curve No.	Approvals
Type	V	Hz	A	W	RPM	μF	m³/h / CFM	dB (A)	Min / Max (°C)	#	
A4E450S-5DM-AS00	220/230	50	2.20	480	1350	16	6800 / 4000	66	-30 / +60	①	CCC, CE, RoHS
A4D450S-5DM-AS00	380/400	50	1.15	480	1350	/	6800 / 4000	66	-30 / +60	①	CCC, CE, RoHS
A4E450S-5DM-AR00	220/230	50	1.75	380	1350	6	5600 / 3294	64	-30 / +60	②	CCC, CE, RoHS
A4D450S-5DM-AR00	380/400	50	0.8	380	1350	/	5600 / 3294	64	-30 / +60	②	CCC, CE, RoHS



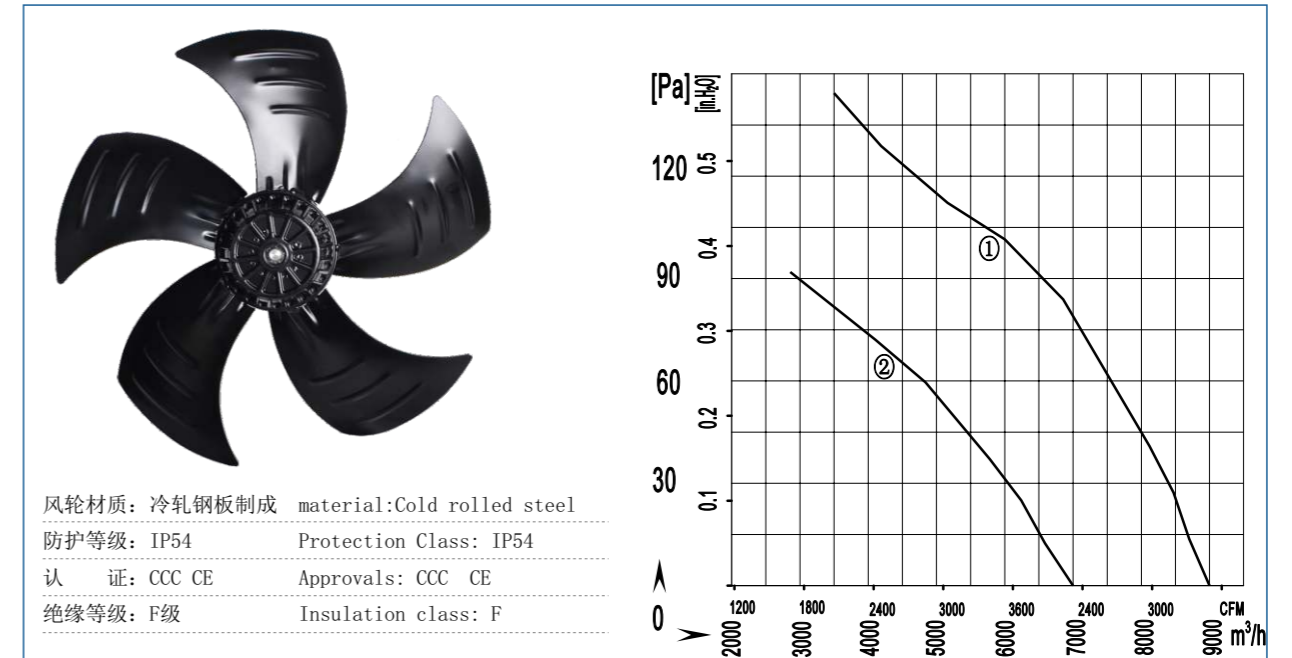
A500-5 外转子轴流风机 A500-5 External Rotor Motor Axial Fan



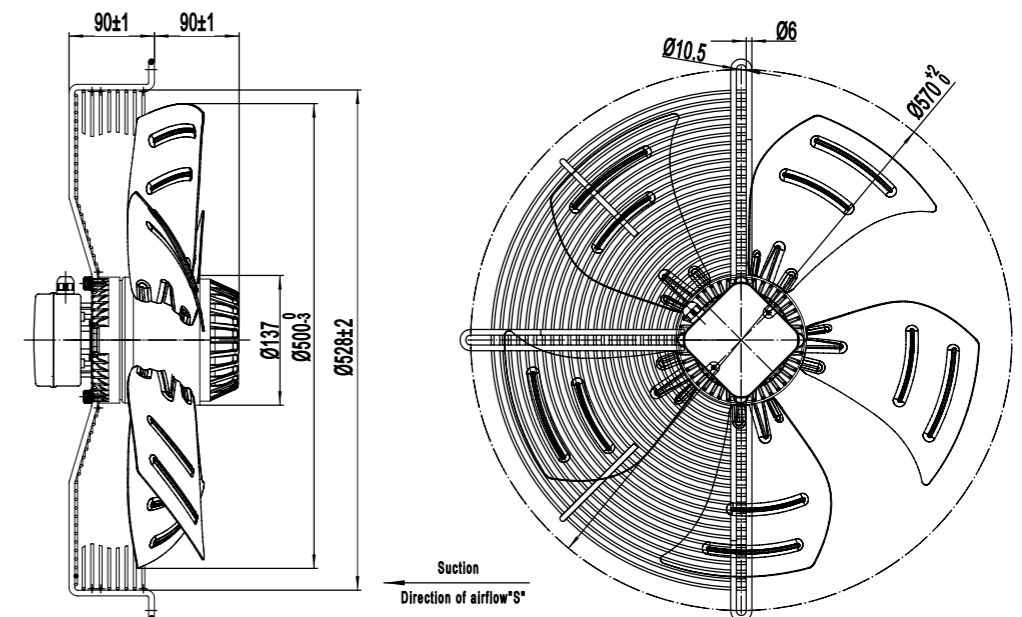
Type	Voltage	Frequency	Current	Input Power	Speed	Capacitor	Air Flow	Noise	Temperature	Curve No.	Approvals
	V	Hz	A	W	RPM	μF	m³/h / CFM	dB (A)	Min / Max (°C)	#	
A4E500S-SDM-AR00	220/230	50	1.90	420	1320	6	6500 / 3835	69	-30 / +60	①	CCC,CE,RoHS
		60	2.30	500	1450		6800 / 4000	70		②	
A4D500S-SDM-AR00	380/400	50	0.90	420	1350	/	6500 / 3835	69	-30 / +60	①	CCC,CE,RoHS
		60	1.00	500	1500		6800 / 4000	70		②	
A6E500S-SDM-AR00	220/230	50	1.10	220	900	6	4320 / 2541	65	-30 / +60	③	CCC,CE,RoHS
		60	1.35	250	1020		4800 / 2823	66		④	
A6D500S-SDM-AR00	380/400	50	0.60	220	900	/	4320 / 2541	65	-30 / +60	③	CCC,CE,RoHS
		60	0.65	250	1100		4800 / 2832	66		④	



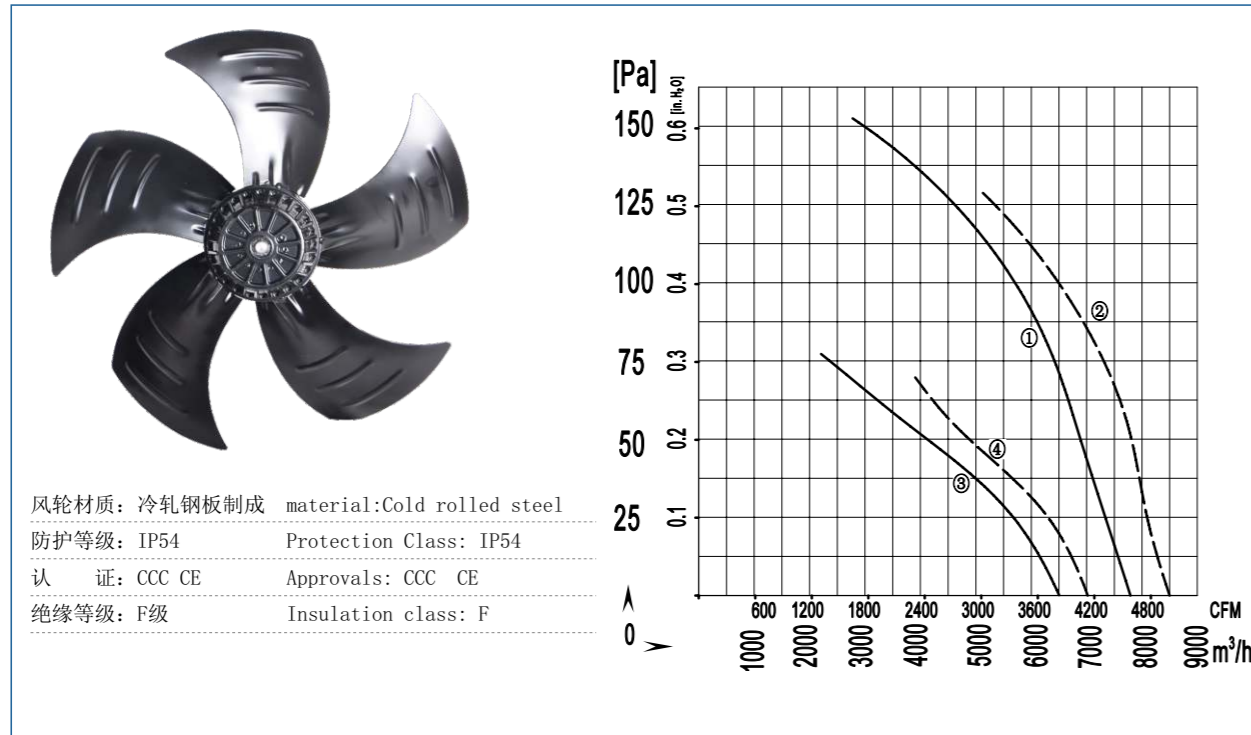
A500-5T 外转子轴流风机 A500-5T External Rotor Motor Axial Fan



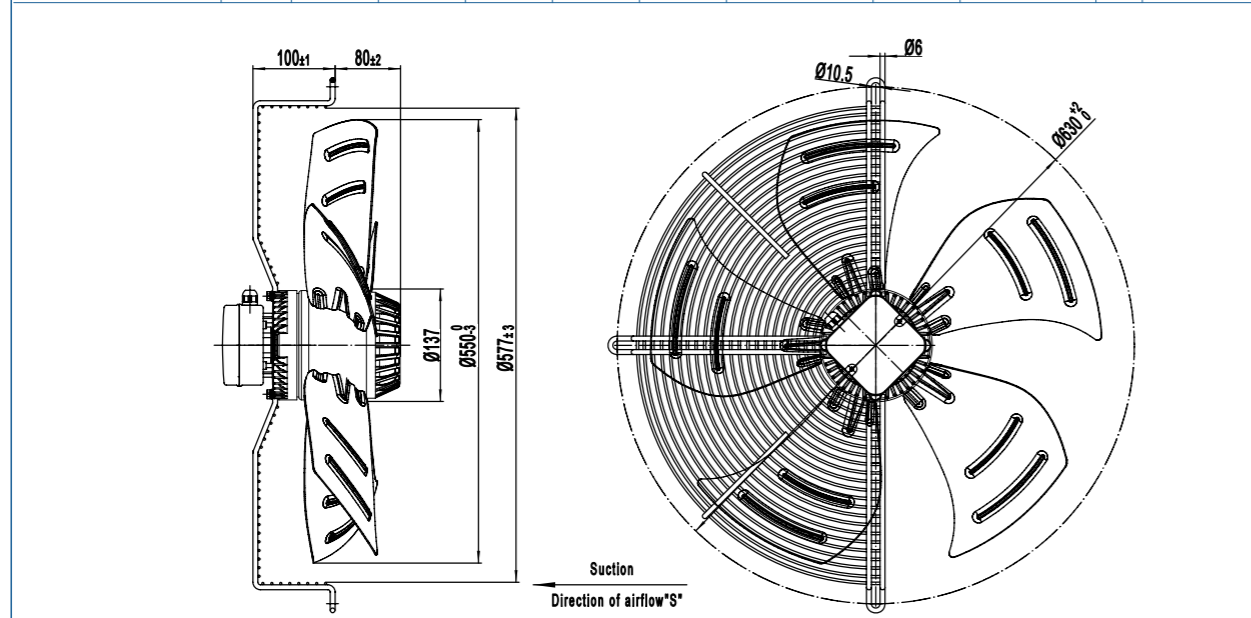
Type	Voltage	Frequency	Current	Input Power	Speed	Capacitor	Air Flow	Noise	Temperature	Curve No.	Approvals
	V	Hz	A	W	RPM	μF	m³/h / CFM	dB (A)	Min / Max (°C)	#	
A4E500S-5DM-AT00	220/230	50	3.80	800	1320	16	9000 / 5300	80	-30 / +60	①	CCC,CE,RoHS
A4D500S-5DM-ST00	380/400	50	1.50	750	1350	/	9000 / 5300	80	-30 / +60	①	CCC,CE,RoHS
		60	0.90	500	1000		7000 / 4117	70		②	



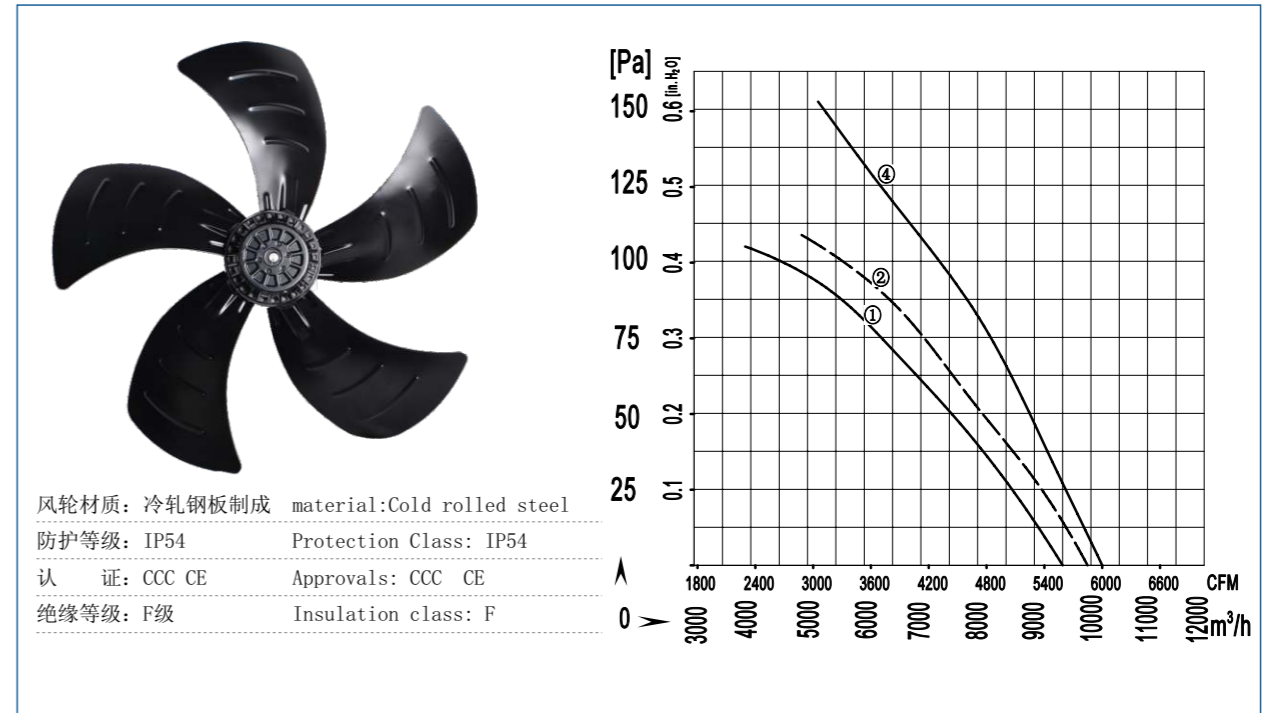
A550-5 外转子轴流风机 A550-5 External Rotor Motor Axial Fan



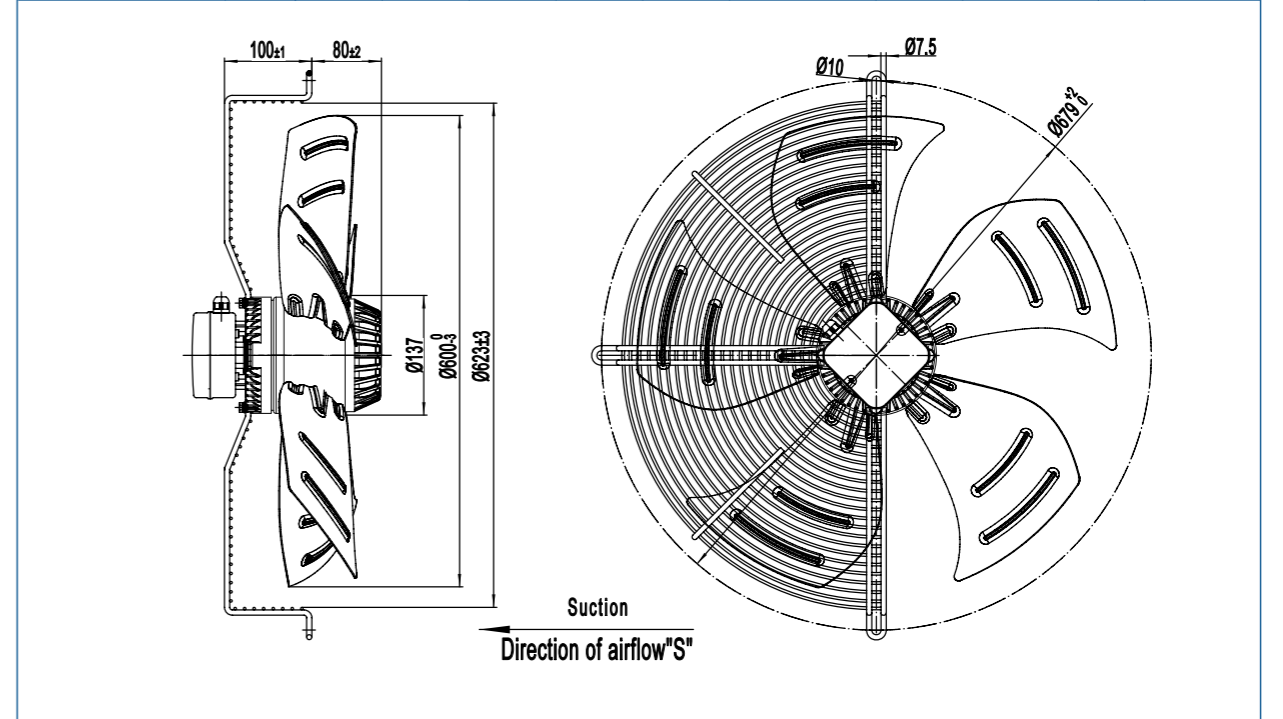
Type	Voltage	Frequency	Current	Input Power	Speed	Capacitor	Air Flow	Noise	Temperature	Curve No.	Approvals
	V	Hz	A	W	RPM	μF	m³/h / CFM	dB (A)	Min / Max (°C)	#	
A4E550S-SDM-AS00	220/230	50	2.50	550	1320	12	7800 / 4588	73	-30 / +60	①	CCC,CE,RoHS
		60	3.30	725	1450		8500 / 5000	74		②	
A4D550S-SDM-AS00	380/400	50	1.10	550	1330	/	7800 / 4588	73	-30 / +60	①	CCC,CE,RoHS
		60	1.40	725	1540		8500 / 5000	74		②	
A6E550S-SDM-AS00	220/230	50	1.20	280	200	6	6500 / 3823	62	-30 / +60	③	CCC,CE,RoHS
		60	2.15	465	1060		7000 / 4117	66		④	
A6D550S-SDM-AS00	380/400	50	0.95	320	910	/	6500 / 3823	62	-30 / +60	③	CCC,CE,RoHS
		60	1.00	440	1090		7000 / 4117	66		④	



A600-5 外转子轴流风机 A600-5 External Rotor Motor Axial Fan



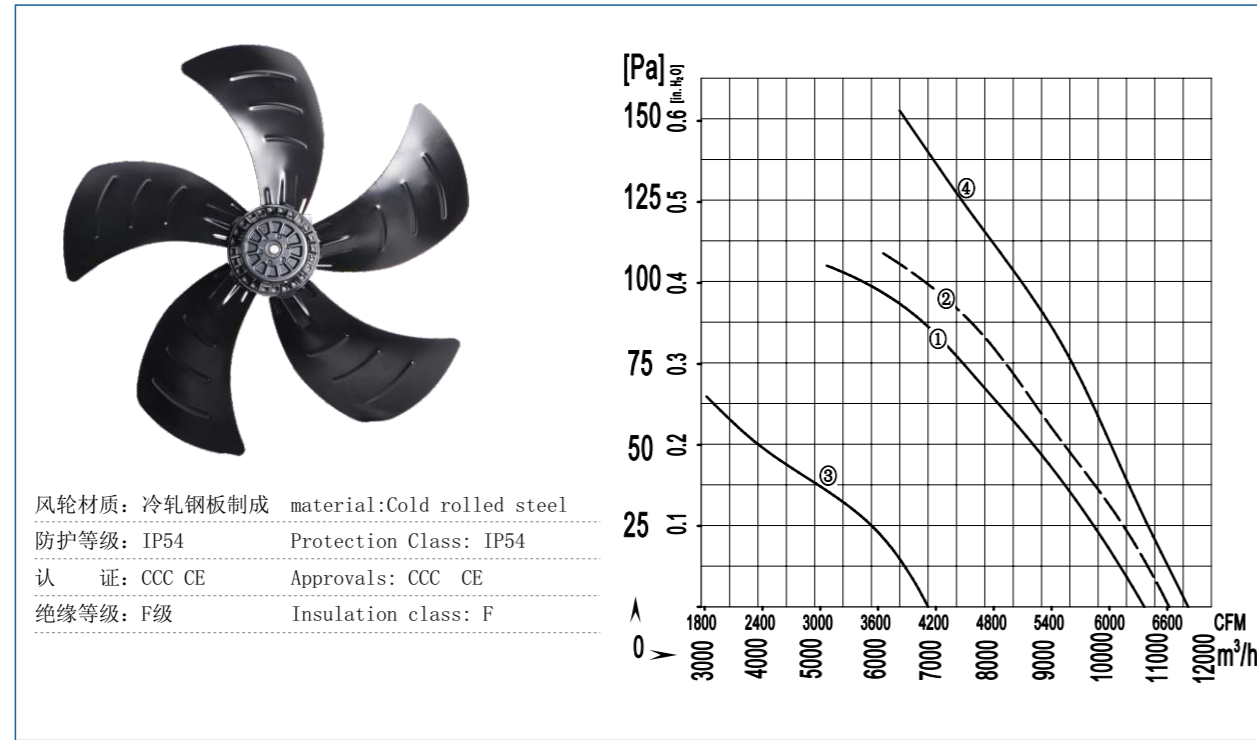
Type	Voltage	Frequency	Current	Input Power	Speed	Capacitor	Air Flow	Noise	Temperature	Curve No.	Approvals
	V	Hz	A	W	RPM	μF	m³/h / CFM	dB (A)	Min / Max (°C)	#	
A4D600S-SDM-AT00	380/400	50	1.50	800	1350	/	10200 / 6000	73	-30 / +60	④	CCC,CE,RoHS
A6E600S-SDM-AT00	220/230	50	2.40	500	910	12	9500 / 5605	67	-30 / +60	①	CCC,CE,RoHS
		60	2.90	640	1080		9900 / 5823	69		②	
A6D600S-SDM-AT00	380/400	50	1.50	500	920	/	9500 / 5605	67	-30 / +60	①	CCC,CE,RoHS
		60	1.50	650	1070		9900 / 5823	69		②	



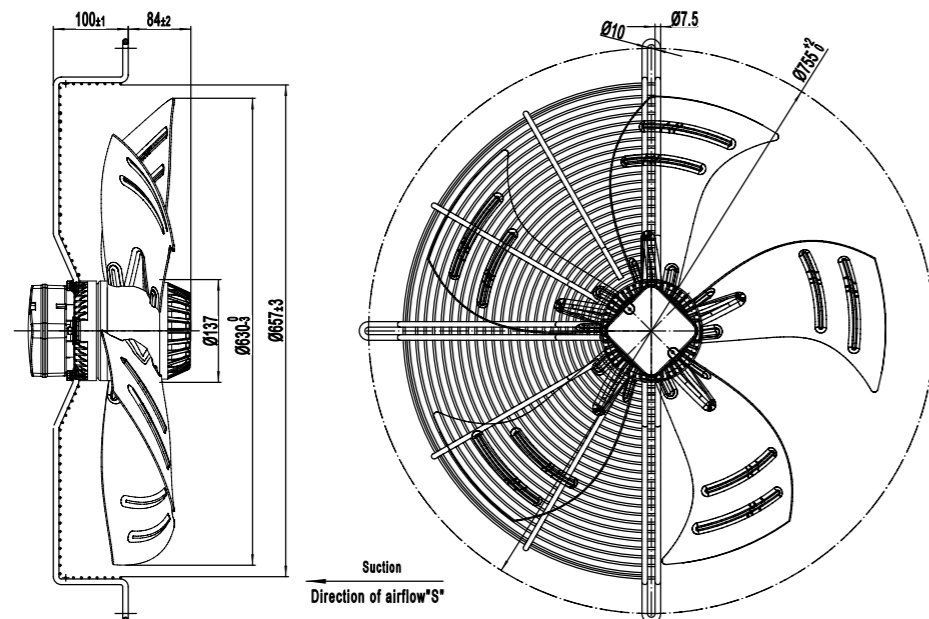
轴流风机
Axial Fans

轴流风机
Axial Fans

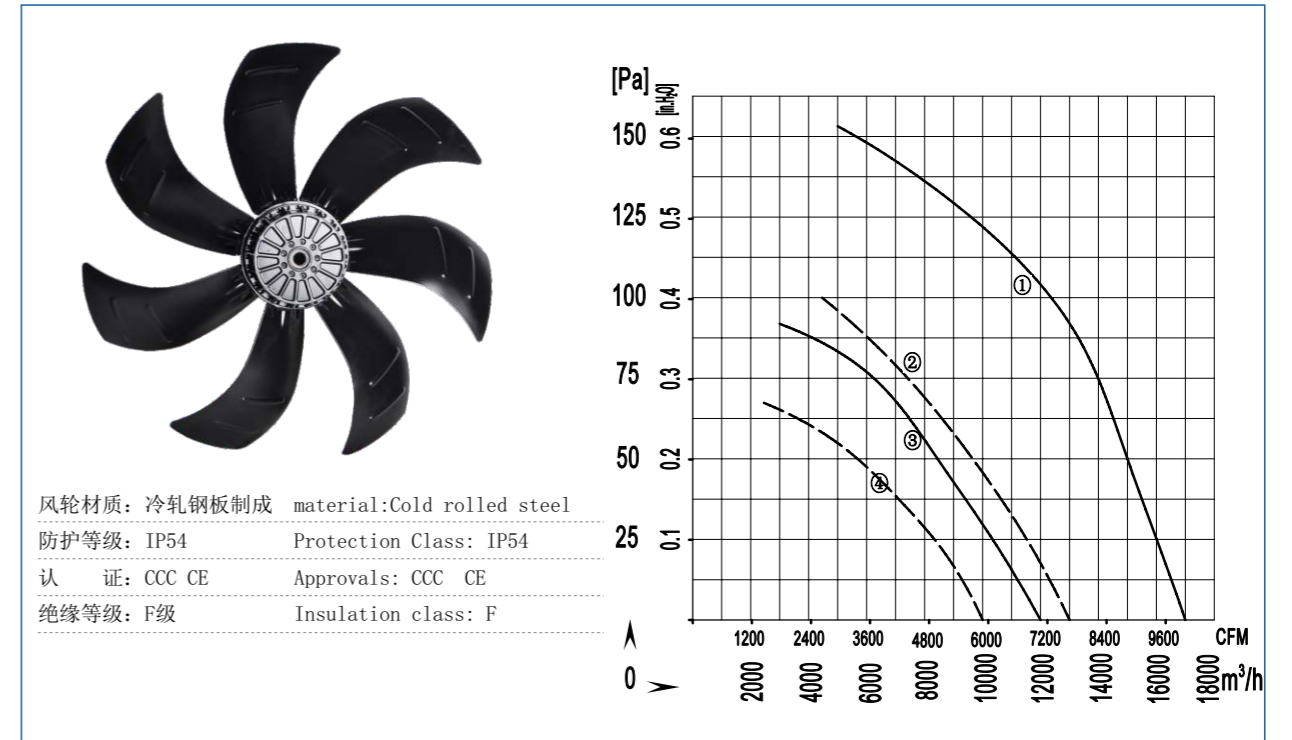
A630-5 外转子轴流风机 A630-5 External Rotor Motor Axial Fan



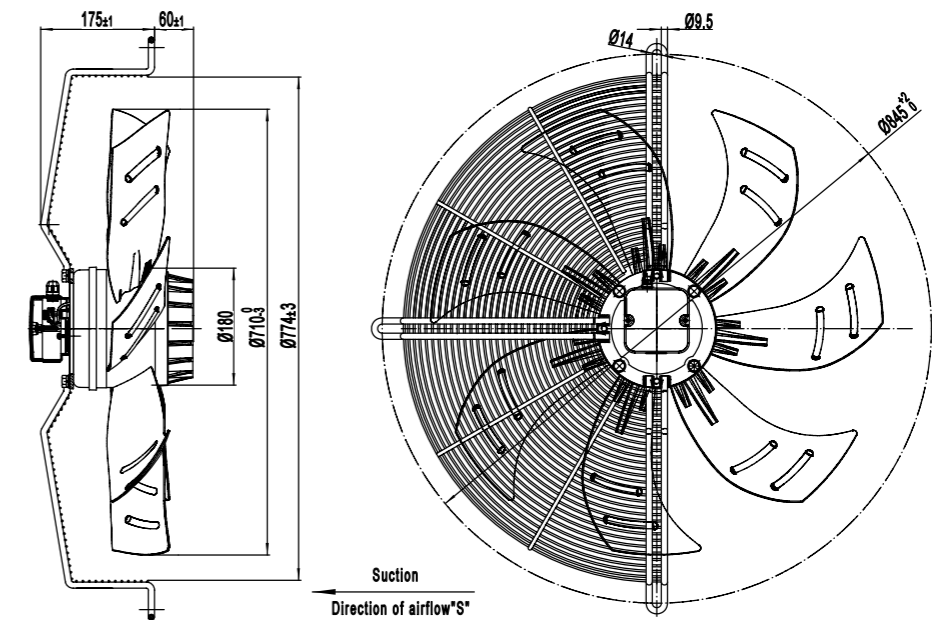
Type	Voltage	Frequency	Current	Input Power	Speed	Capacitor	Air Flow	Noise	Temperature	Curve No.	Approvals
Type	V	Hz	A	W	RPM	μF	m³/h / CFM	dB (A)	Min / Max (°C)	#	
A4D630S-5DM-AT00	380/400	50	1.60	850	1350	/	11600 / 6823	75	-30 / +60	④	CCC,CE,RoHS
A6E630S-5DM-AT00	220/230	50	2.50	520	900	12	10700 / 6294	67	-30 / +60	①	CCC,CE,RoHS
		60	3.25	705	1050		11200 / 6588	69		②	
A6D630S-5DM-AT00	380/400	50	1.40	550	900	/	10700 / 6294	67	-30 / +60	①	CCC,CE,RoHS
		60	1.56	740	1060		11200 / 6588	69		②	
A8E630S-5DM-AT00	220/230	50	1.3	250	680	6	7000 / 4117	60	-30 / +60	③	CCC,CE,RoHS
A8D630S-5DM-AT00	380/400	50	0.7	250	680	/	7000 / 4117	60	-30 / +60	③	CCC,CE,RoHS



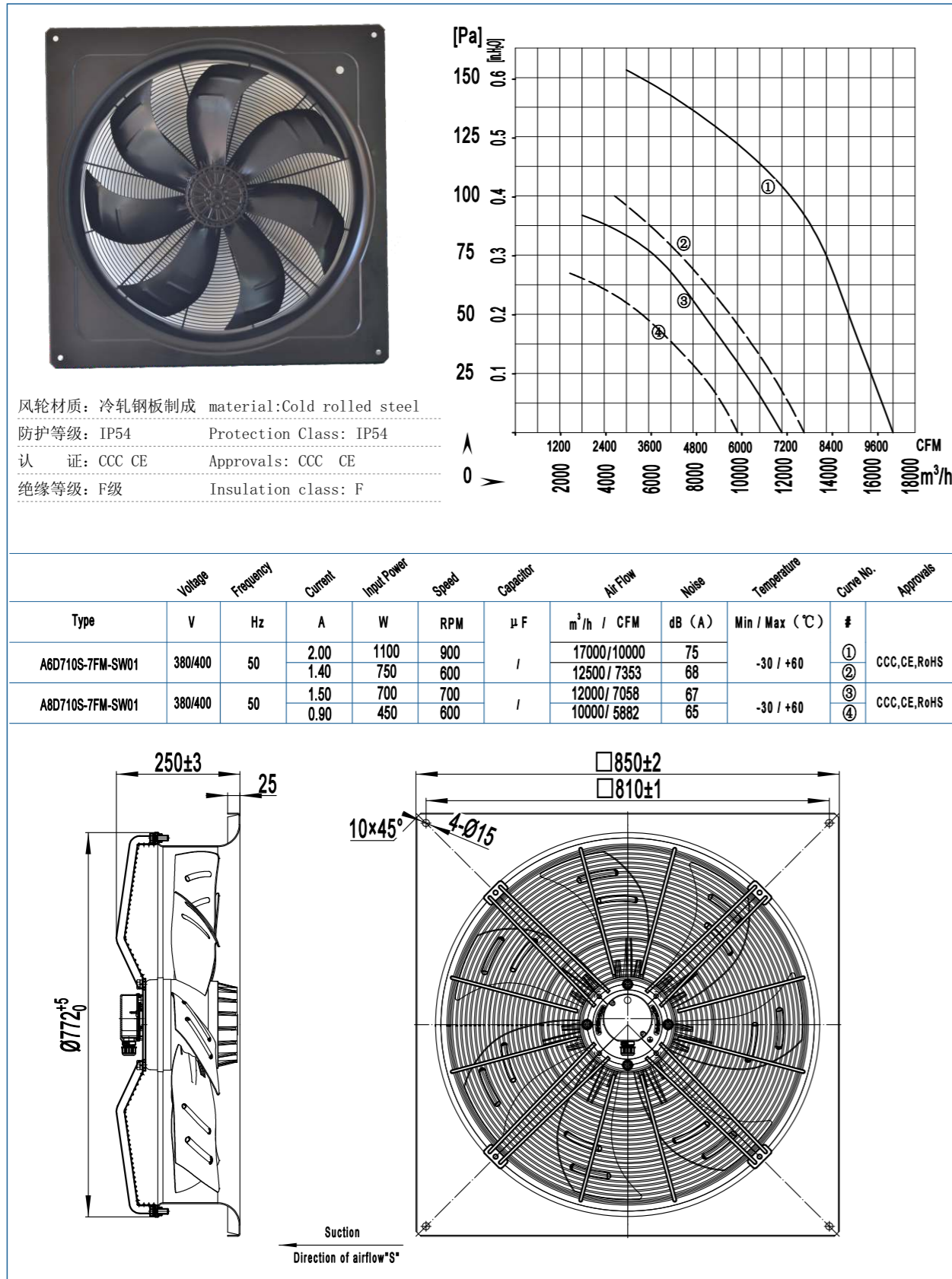
A710-7 外转子轴流风机 A710-7 External Rotor Motor Axial Fan



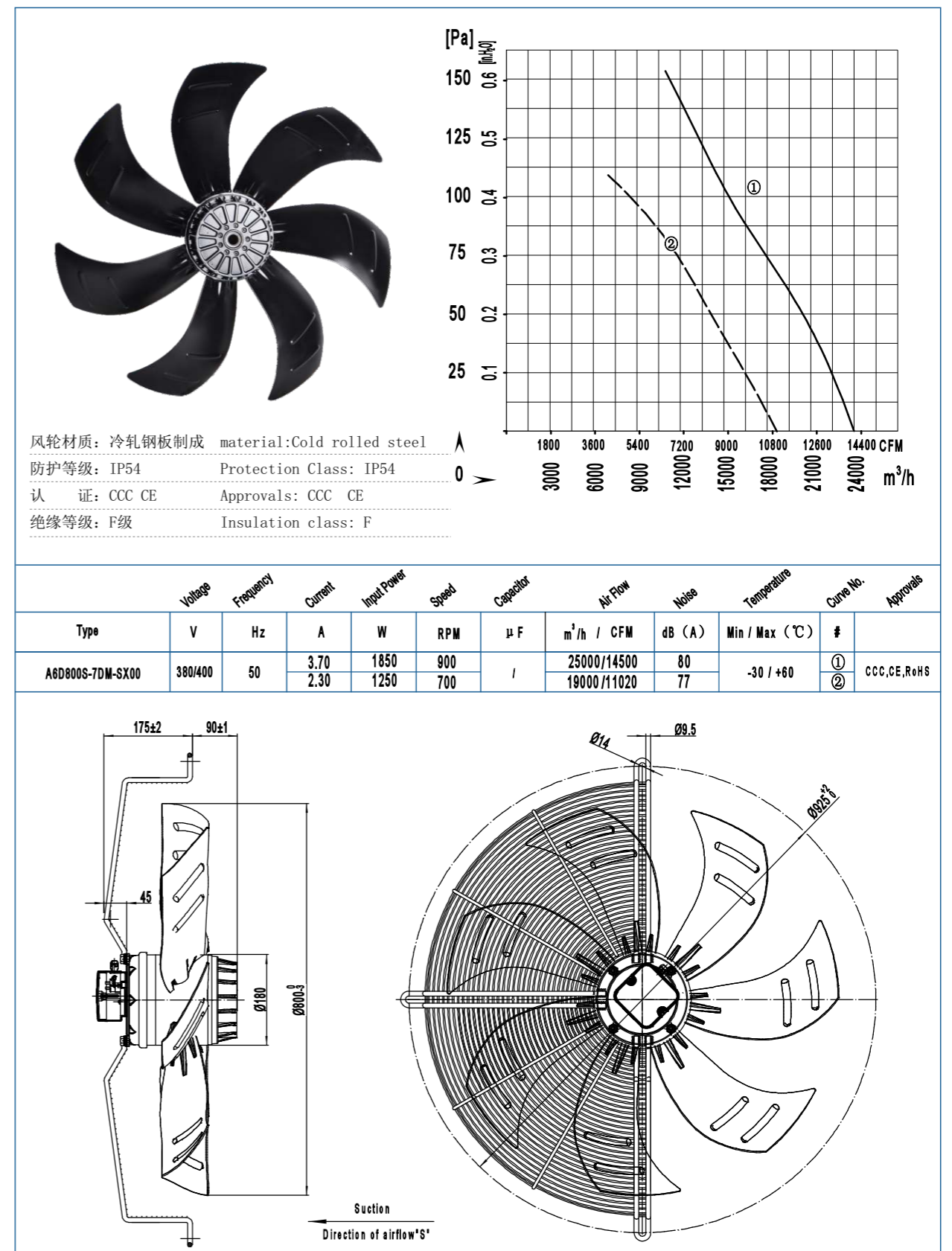
Type	Voltage	Frequency	Current	Input Power	Speed	Capacitor	Air Flow	Noise	Temperature	Curve No.	Approvals
Type	V	Hz	A	W	RPM	μF	m³/h / CFM	dB (A)	Min / Max (°C)	#	
A6D710S-7DM-SW00	380/400	50	2.00	1100	900	/	17000/10000	75	-30 / +60	①	CCC,CE,RoHS
			1.40	750	600		12500 / 7353	68		②	
A8D710S-7DM-SW00	380/400	50	1.50	700	700	/	12000 / 7058	67	-30 / +60	③	CCC,CE,RoHS
			0.90	450	600		10000 / 5882	65		④	



A710-7F 外转子轴流风机 A710-7F External Rotor Motor Axial Fan



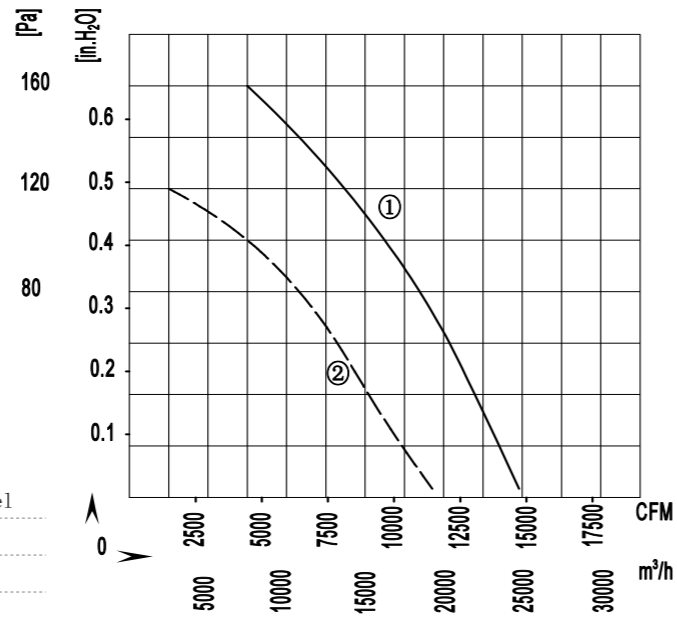
A800-7 外转子轴流风机 A800-7 External Rotor Motor Axial Fan



轴流风机
Axial Fans

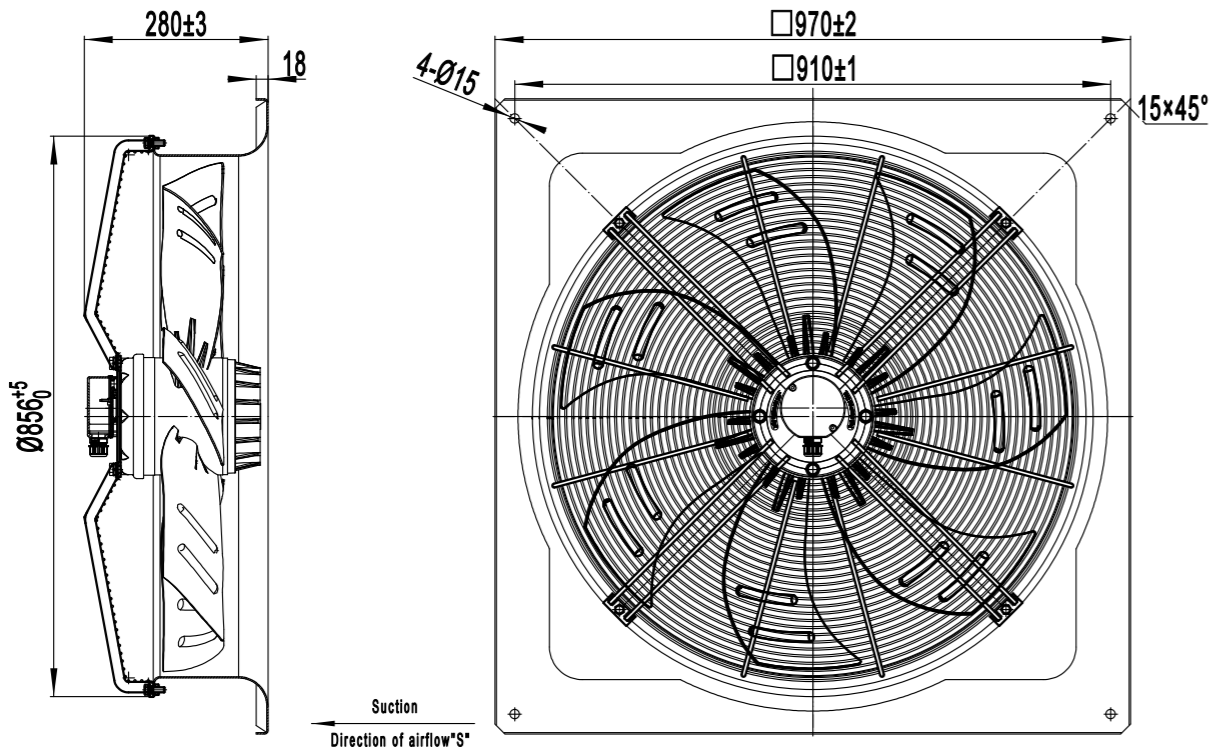
轴流风机
Axial Fans

A800-7F 外转子轴流风机 A800-7F External Rotor Motor Axial Fan



风轮材质: 冷轧钢板制成 material: Cold rolled steel
 防护等级: IP54 Protection Class: IP54
 认证: CCC CE Approvals: CCC CE
 绝缘等级: F级 Insulation class: F

Type	Voltage	Frequency	Current	Input Power	Speed	Capacitor	Air Flow	Noise	Temperature	Curve No.	Approvals
	V	Hz	A	W	RPM	μF	m³/h / CFM	dB (A)	Min / Max (°C)	#	
A6D800S-7FM-SX01	380/400	50	3.70	1850	900	/	25000/14500	80	-30 / +60	①	CCC, CE, RoHS
			2.30	1250	700	/	19000/11020	77		②	



轴流风机
Axial Fans

